



1437

.TRAX[©] 1000

TECHNICAL MANUAL



Edit 12/2020
English—EU

Warning



LEFORT cannot provide for all situations where there is risk. The remarks concerning safety do not, therefore, constitute an exhaustive list of all the risks of the machine in spite of a safety notice that allows users to reduce them to a very great extent.



It is imperative that the safety rules and elementary precautions are observed in order to avoid accidents in connection with the use, maintenance and repair of the product. Recognition of the risks to which you are exposed and the preventive measures are indispensable for that.

In case of need or where the information concerning the machine is insufficient or lacking, please contact the nearest After-Sales Service, always providing the details on the identification plate (model, serial number and year of manufacture).

Table of contents



Chapter I

Description of the machine

1. General	I-4
1.1 Presentation	I-4
1.2 Machine identification	I-5
1.3 Delivery	I-6
2. Norms	I-7
3. Handling machine	I-8
4. Packing	I-9
5. Technical characteristics of the machine	I-10
6. Overviews	I-12
7. Dimensions	I-13
7.1 Machine	I-13
7.2 Foundations	I-14
8. Hydraulic diagrams	I-15
9. Electrical diagrams	I-16
10. Frame equipment	I-17
11. Cylinders	I-18
12. Maintenance notes	I-19



Before any operation on the machine, read the SAFETY notice handed over with the instruction manual and the specifications of the machine attentively.

General instructions:

This document is meant for the buyers of a LEFORT machine. It describes the technical characteristics of the LEFORT machines and specifies the installation conditions which will ensure their optimal functioning. This document contains important remarks concerning safety. They are indicated in the following way:



Warning! Your bodily safety is in danger !

This document equally includes essential instructions regarding the functioning of the product as well as general information. They are indicated in the following way:



Danger

Indicates a risk of occupational accident or death.



General information

Indicates a warning or a remark concerning key functions or useful information. Pay serious attention to the sections of texts indicated by this symbol



Prohibition

Indicates a formal prohibition to be respected imperatively.



Maintenance

Note concerning the maintenance of your machine.



Environment

Note concerning the protection of the environment linked to the operation and maintenance of the machine.

Chapter I



1. General

1.1 Presentation:

Dear customer,

You have just acquired a LEFORT machine.

Your machine is a **Trax© 1000** and is equipped with **diesel engine SCANIA DC16 Stage IIIa** of **600 hp** maximum power.

It is an extremely powerful and destructive hydraulic shearing machine and consequently potentially dangerous.

Equipped with a pusher piston, a crusher, lateral lids and a shears, you will be able to compress, crush and shear several types of metals with capacities that can reach **1000 ton**.

Be extremely vigilant when using it.

Lefort thanks you for the confidence that you have placed in them and wishes you a most productive use.

Notes :

Lefort reserves the right to modify the locations and forms of the components installed on the machine out of concern to ensure that the machine is up-to-date with the latest technological developments.
Only the component symbols are contractual.

These documents are the property of LEFORT and may not in any case be copied or communicated to third parties, in any form whatsoever, without their written agreement.



The safety part is an integral part of the notice and must be read by any operator trained to work with the machine.

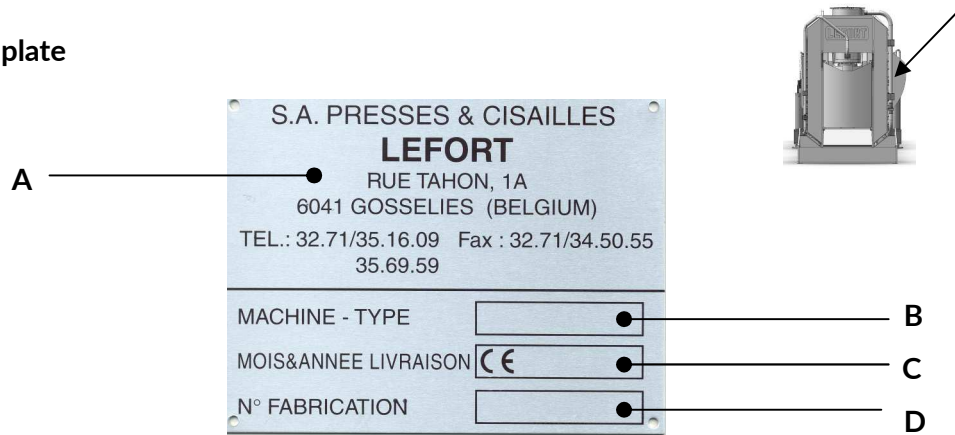
Chapter I



Description of the machine

1.2 Identification:

Machine registration plate



- A Place of manufacture
- B Type of machine
- C Date of delivery
- D Manufacturing number

Chapter I



Description of the machine

1.3 Delivery:

The machines are delivered



By truck(s) and/or boat(s)



Without oil



Painted finish



All the machines delivered by boat have some protection against rust, salt or any other impurities. Indeed, the rods of the cylinders (apart from the pusher piston which is withdrawn) are protected by a zinc coating.

It is necessary to clean them with a cloth and thinner before using the machine.

Chapter I



Description of the machine

2. Standards



EXTRACT FROM THE EC DECLARATION OF CONFORMITY

The machines meets all of the pertinent provisions of the Machines Directive in force (2006/42/CE)

Chapter I



Description of the machine

3. Handling the machine



The handling of the machine must only be done by qualified, competent personnel. Indeed, the LEFORT machines are heavy and require particular attention when being moved. It is indispensable that appropriate lifting equipment be used in handling the machine.

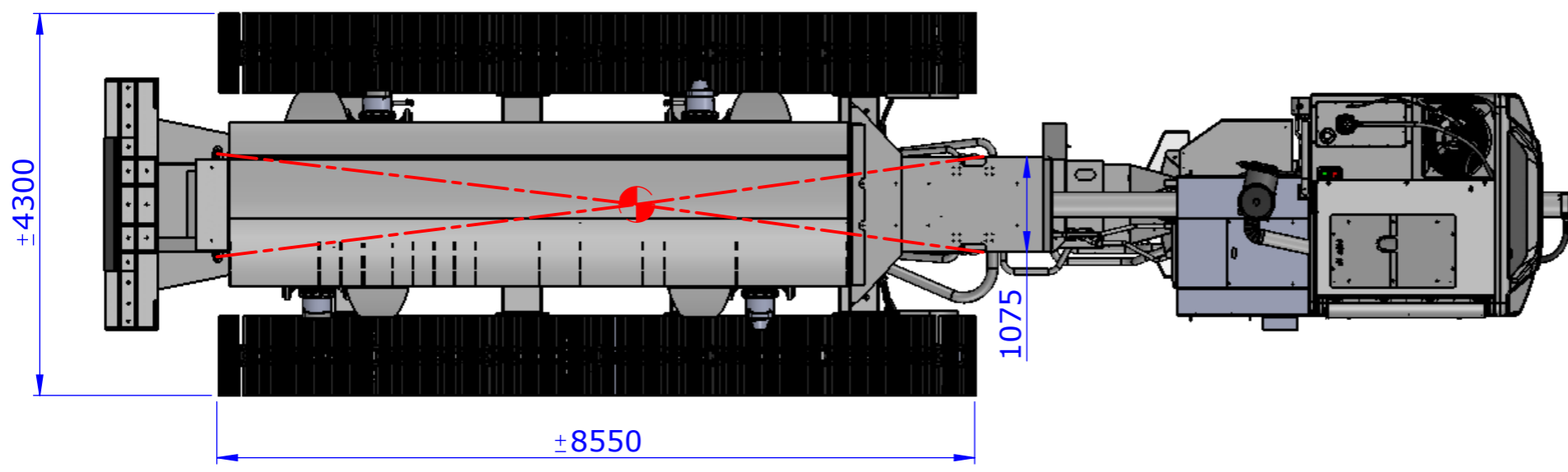
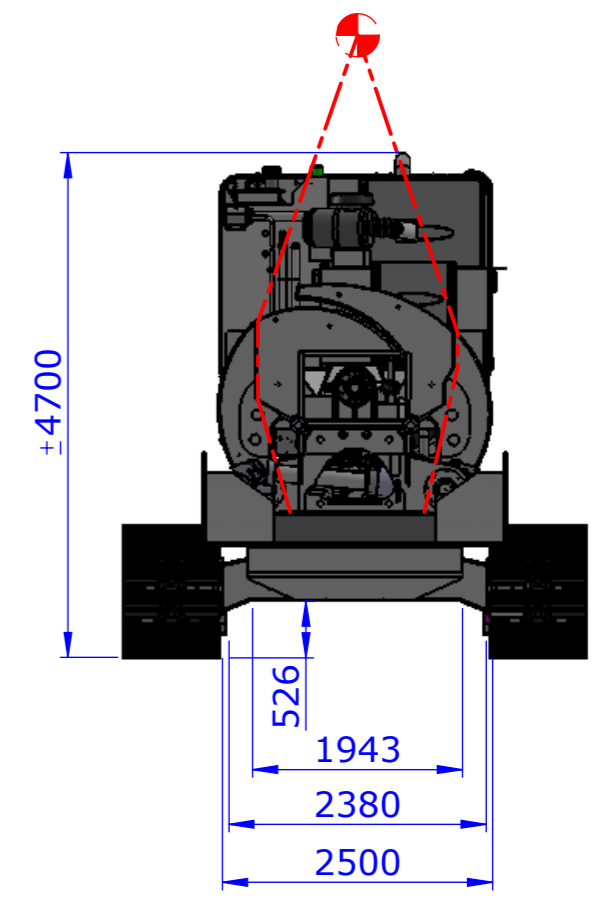
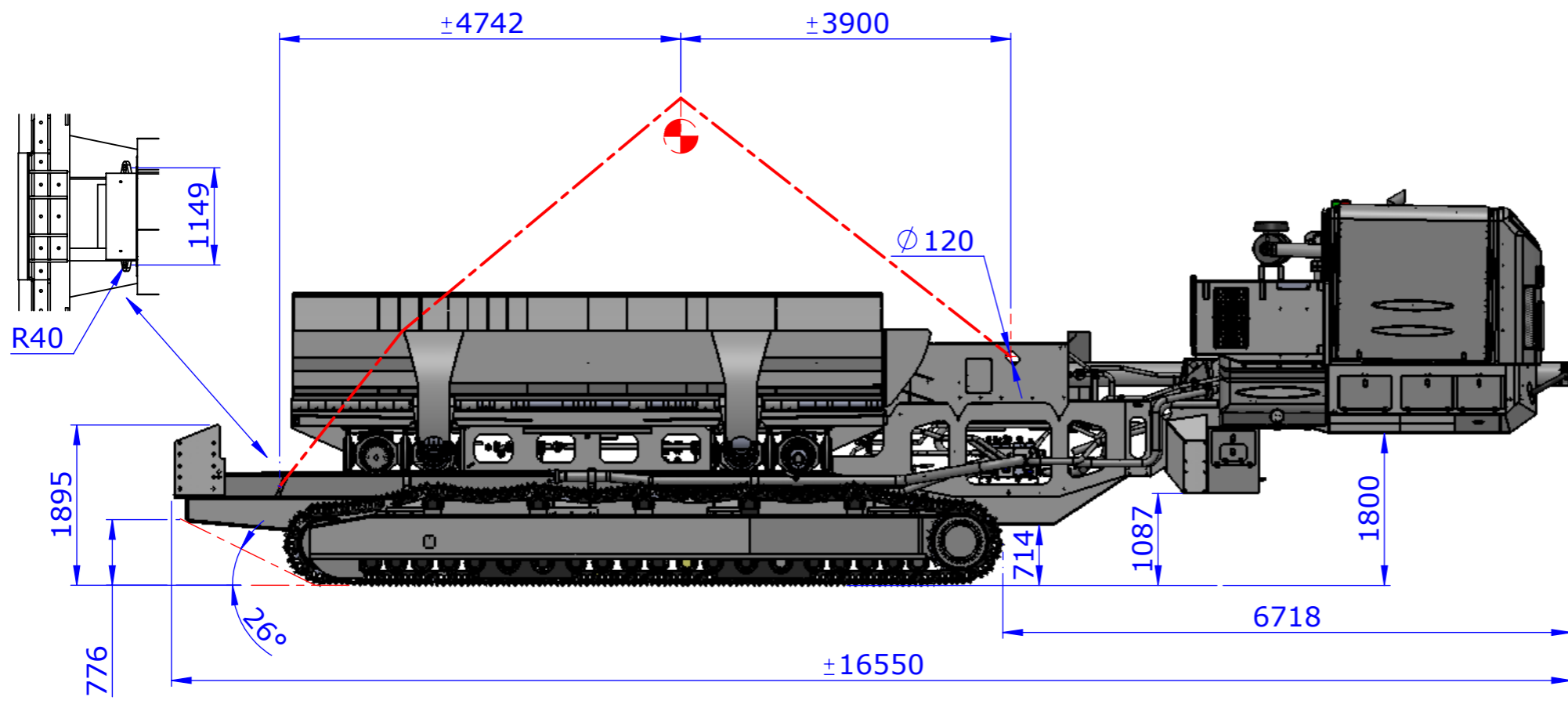
Chapter I



Description of the machine

4. Packing

Drawings : CL0109
CL0127



**SOUS RESERVE DE MODIFICATIONS
SUBJECT TO MODIFICATIONS**

**POIDS POUR MACHINE SANS FLUIDE
MACHINE WEIGHT WITHOUT FLUID**

This drawing is our property: it can't be reproduced or communicated without our written agreement.

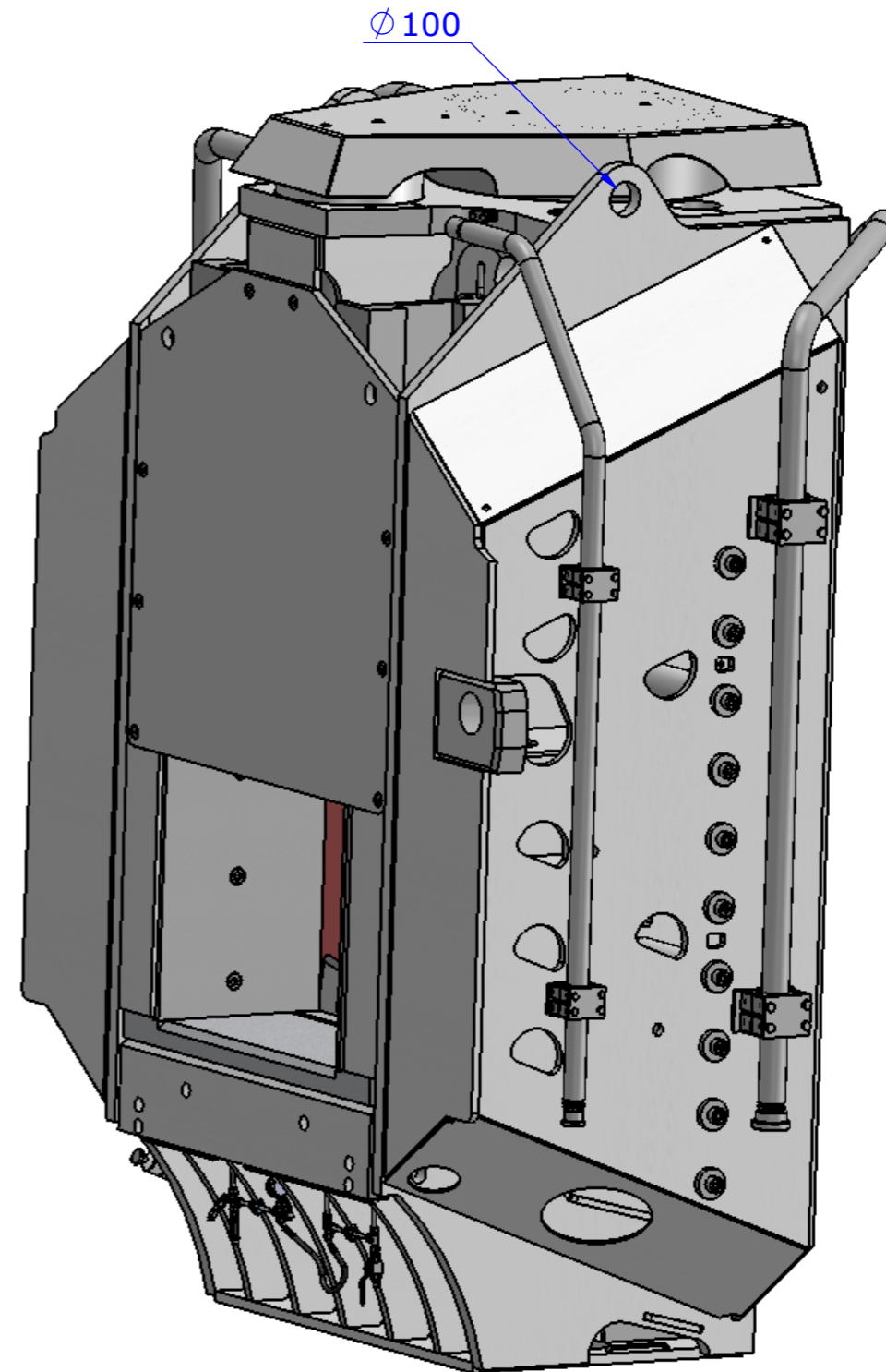
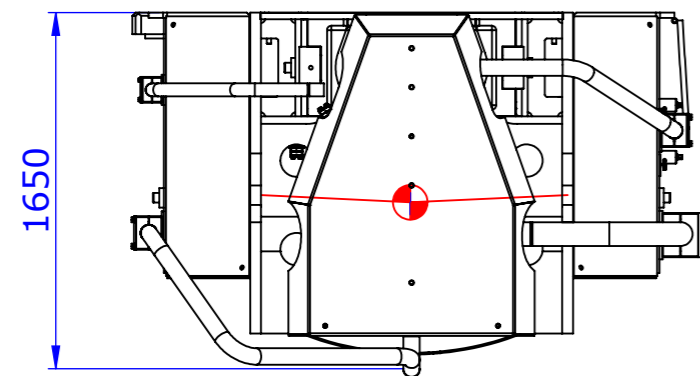
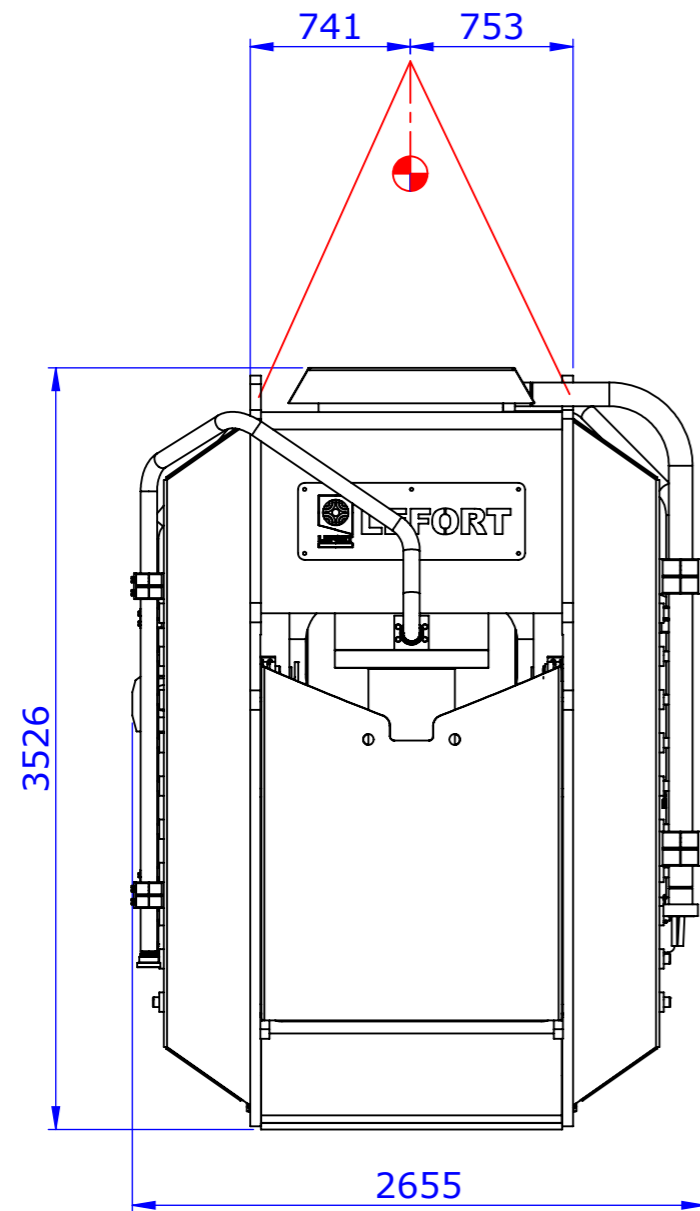
Weight: 84000 Kg	
A3	Date: 13/10/2017
Scale: -/--	
Rev.	Date
A	06/05/20
Rev. description	By
Update Weight	ABA
-	--/--/--
-	--/--/--

PACKING
CONKEROR
900A Tr V1
without shearhead

Rue Tahon, 1A
6041 GOSELIES
(BELGIUM)
(+32) 071/35.16.09
info@lefort.com

Drawn by : YY Sheet 1/1

CL0109 **A**



General tolerances for welded constructions ISO 13920-AE

Ind	Modifications	Drafter	Date
Index Table			
<p style="color: red; font-size: small;">This drawing is our property: it can't be reproduced or communicated without our written agreement. This document is the exclusive property LEFORT and shall not be disclosed or reproduced without its written authorization.</p>			
Material:	Sc: -	<div style="display: flex; justify-content: space-between;"> <div style="text-align: center;"> <h2 style="margin: 0;">COLISAGE</h2> <h3 style="margin: 0;">Bati 850-1000T AS</h3> <p style="margin: 0;">For Vertical lifting only</p> </div> <div style="text-align: center;"> <p style="font-size: x-small; margin: 0;">Rue Tahon, 1A 6041 GOSELIES (BELGIUM) (+32) 071/35.16.09 info@lefort.com</p> </div> </div>	
Weight: 24 000 Kg	A3		
Thickness: mm			
Date: 17-10-2018	Sheet 1/1		
Drawn by: JBO		<p>Bar Code:</p> <div style="font-size: 2em; font-weight: bold; margin: 0;">CL0127</div>	
General roughness except specification $Ra6.3$ GENERAL TOLERANCES ISO 2768 mK			

Chapter I



Description of the machine

5. Technical characteristics of the machine

Machine reference	
Commercial name	.TRAX 1000
Production file	DFL202000479
Serial no.	1437
Date of manufacture	12/2020
Production site	Gosselies, Belgium

Structure and frame	
Number of axles	-
Chassis no.	-
Gross weight of machine empty	~ 108000 kg

Engine type	
Engine(s)	SCANIA
Type	DC16 Stage IIIa
Fuel	Diesel EN590 (<15 ppm)
Power	600 hp
Serial no.	1163551
Engine speed when working	1700 U/min

Hydraulics	
Hydraulic manifold	LEFORT 1500L
High pressure pump 1	AH A4VSO260/ serial n°36019097
High pressure pumps 2+3	A20VFO260/ serial n°35994508
Cooling and control pump	PVQ41/69+18
Max pressure	~400 bar

Tank capacity	
Oil	2000L
Fuel	Approx. 1200L

Chapter I



Description of the machine

Cylinders	Dimensions	Number	Capacity
Pusher cylinder	Ø250/Ø180 C7550 V2	19/4957	180 T
Crusher cylinder	Ø250/Ø200 C813 V2	20/5130	Max. 180T
Cutter cylinder	Ø600/Ø400 C824 V4A	20/5129	1000T
Small lid cylinder without sensor	Ø250/Ø150 C815 V2A	20/5053	175 T
Big lid cylinder without sensor	Ø250/Ø150 C815 V2A	20/5102	175 T
Small lid cylinder with sensor	Ø250/Ø150 C815 V2	20/5103	175 T
Big lid cylinder with sensor	Ø250/Ø150 C815 V2	19/4901	175 T

Box	
Type	R 967 TS
Dimensions box open	7000 x 2400 mm x variable
Dimensions box closed	7000 x 940 x 600 mm

Frame	
Version	AS
Crosshead/Cutting angle	10°

Electronics	
Type	Lefort-P

Batteries	
Type	2x12V 180Ah min.

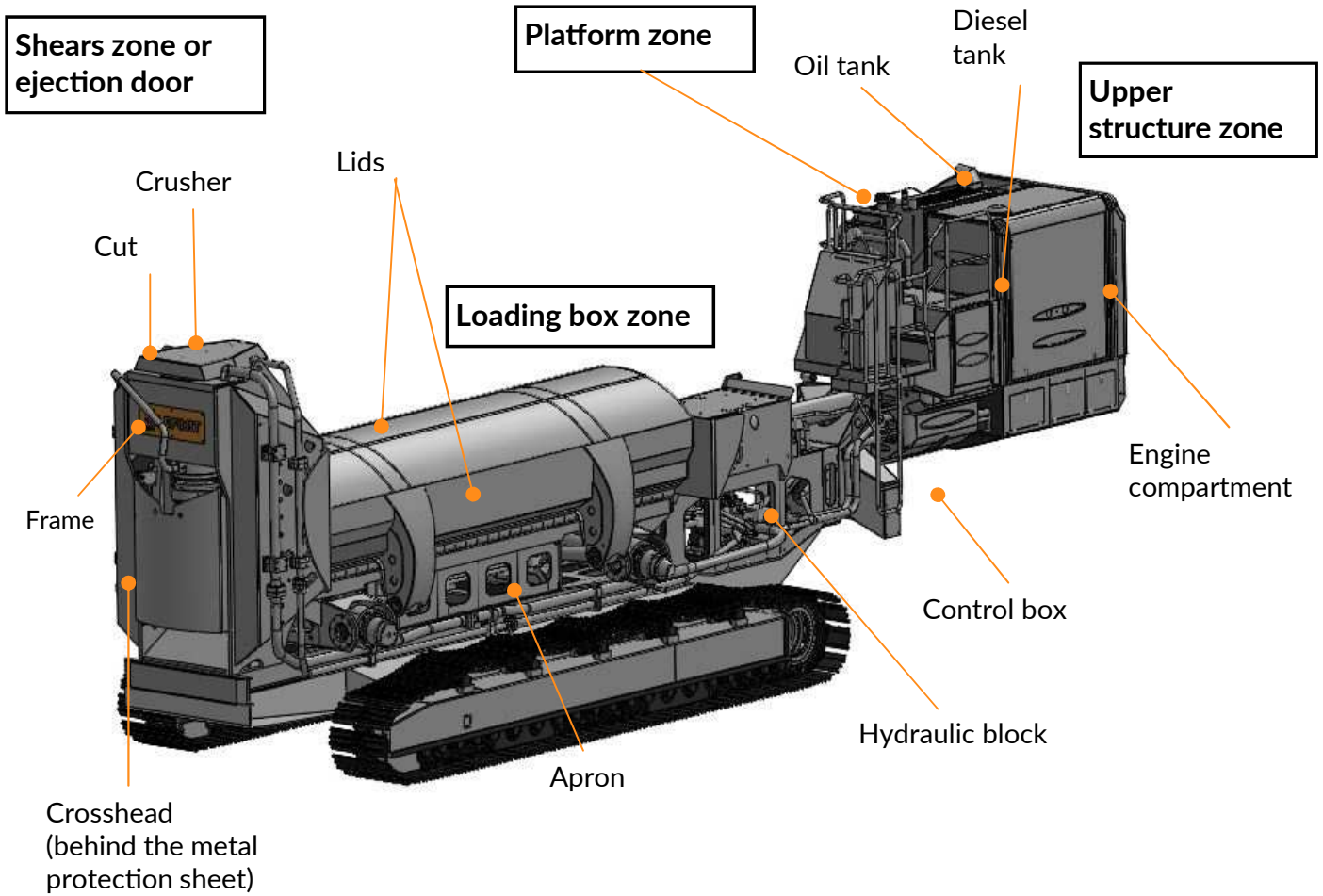
Options	
Remote control	HBC Technos B / FSE727
Heating resistance	-
Cabine	-
Crane	-
Tracks	D07-E

Warranty	
Factory	12 months / 2000 h

Chapter I



6. Overviews of the machine



Chapter I

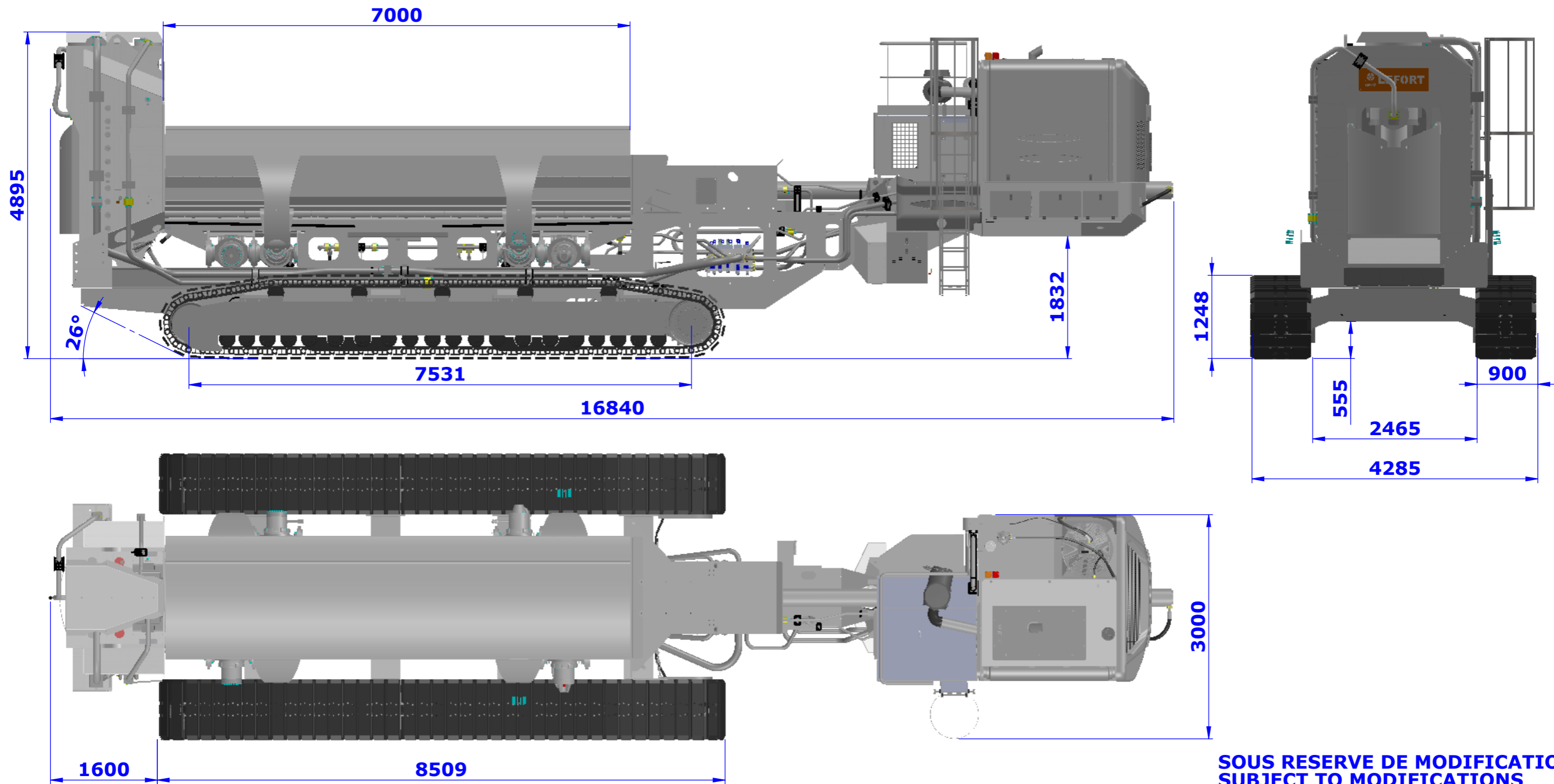


Description of the machine

7. Dimensions

7.1 Machine :

Drawing : E0095



**SOUS RESERVE DE MODIFICATIONS
SUBJECT TO MODIFICATIONS**

***POIDS POUR MACHINE SANS FLUIDE
MACHINE WEIGHT WITHOUT FLUID**

**NOTE: POIDS TOTAL AVEC FLUIDE
TOTAL WEIGHT WITH FLUID:
±111 000Kg**

D	length update	PPL	02-11-20
C	Tracks updated with flats shoes	VRA	16-10-20
B	General update	ABA	18-09-2020
A	Weight update	VRA	17-09-2018
Ind	Modifications	Drafter	Date
Index Table			

This drawing is our property: it can't be reproduced or communicated without our written agreement.
This document is the exclusive property LEFORT and shall not be disclosed or reproduced without its written authorization.

Material:	Sc: 1:60
Weight: 108 000Kg*	A3
Thickness: mm	
Date: 2016	Sheet 1/1
Drawn by: GMO	
General roughness except specification $Ra6.3$ ✓	
GENERAL TOLERANCES ISO 2768 mK	

ASSEMBLY

Trax 1000

Rue Tahon, 1A
6041 GOSELIES
(BELGIUM)
(+32) 071/35.16.09
info@lefort.com

Bar Code:

E0095

D

Chapter I



Description of the machine

7.2 Foundations:

Only for static machines

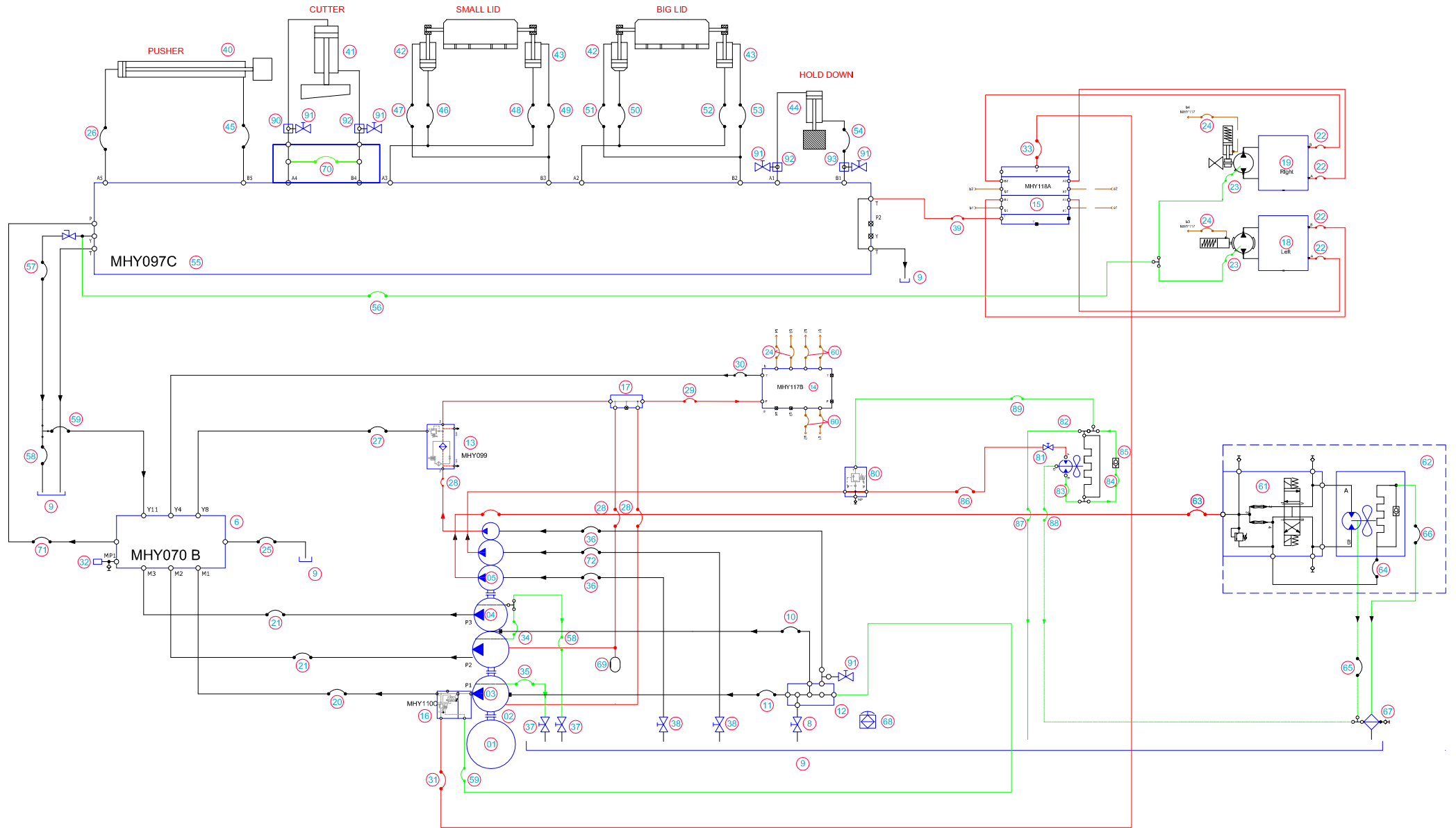
Chapter I



Description of the machine

8. Hydraulic diagrams

Drawings	
Connections overview	SCHY.SB1000A-T1S16-XX.A
Oil cooler	MHY044
Pumps control block	MHY070
Cylinders control block	MHY097
Oil filter, main line	MHY098
Oil filter, pilot line	MHY099
Directionnal control block	MHY110
4-valve control block	MHY117
2-elements control block for tracks	MHY118




This drawing is our property: it can't be reproduced or communicated without our written agreement.

Rev.	Date	Rev. description	By

Scale:	Weight: ----- Kg		
A3	Date: 15/12/2020		
-/--			
Rev.	Date	Rev. description	By

HYDRAULIC CONNECTIONS OVERVIEW

SCHY.SB1000A-T1S16-XX.A



Rue Tahan, 1A
6041 GOSSÉLIES (BELGIUM)
(+32) 071/35.16.09
info@lefort.com

Drawn by: CR Sheet 1/1

----- **A**

Listing SCHY.SB1000A-T1S16-XX.A

#	QTY	NAME	REF LEFORT	Barcode	FR	NL	DE
1	1	Diesel engine Scania DC16 - 071A	MOT-SCA-DC16-71A-C	MOT00478	Moteur diesel	Diesel motor	Dieselmotor
2	1	Coupling CF-D-275-75-14-93 14"	MOT-ACC-CFD275751493-14-U	MOT00045	Accouplement	Koppeling	Kupplung
3	1	High pressure pump A4VSO-260	HYD-POM-A4VS0260	HYD02215	Pompe simple pist. hte. press.	Hoogdrukpomp	Hochdruckpumpe
4	1	High pressure pump A20VFO-260	HYD-POM-A20VF260PVQ4118	HYD02208	Pompe double pist. hte. press.	Hoogdrukpomp	Hochdruckpumpe
5	1	Triple low pressure pump 71 + 72 + 25 cc	HYD-POM-71/73/25	HYD02182	Pompe basse pression à engrenages	Pomp	Hydraulikpumpe
6	1	3-pump hydraulic manifold	HYD-MHY-070B	HYD02087	Collecteur hydraulique	Drukbegrenzer manifold	Druckbegrenzer Manifold
7							
8	1	DN150 valve with limit switch	HYD-RAC-VV150FC-V2	HYD03834	Vanne électrique avec fin de course	Handwiel ventiel met elektrisch contact	Handrad Ventil mit elektrischen Schalter
9	1	Oil tank 2000L	STR-CUV-2000L-1437- M5	STR00000	Cuve hydraulique	Olie tank	Öltank
10	1	Suction rubber thermoformed size Ø 120 / Ø 114.5 mm	HYD-FLX-TY01323-02	HYD06695	Flexible	Slang	Schlauch
11	1	Suction rubber thermoformed size Ø 102 / Ø 89.5 mm	HYD-FLX-TY01323-01	HYD06694	Flexible	Slang	Schlauch
12	1	Pump suction box	HYD-BAL-S01323-1	HYD06696	Boite alimentation	Dispersie tank	Hauptdispersion stank
13	1	Control oil filter LEFO40 V1 - 40 L/Min. 5µ Breather 5µ	HYD-FLT-H0083 HYD-MHY-099D HYD-FLT-H0082	HYD01063 HYD02095 HYD01062	Filtre à huile (pilotage) Cartouche	Oliefilter	Ölfiter
14	1	4-valve control block for tracks	HYD-MHY-117B	HYD05086	Pilote 4 éléments	Stuurklep	Magnetventile
15	1	HC-D25 hydraulic manifold 2 elements	HYD-MHY-118A	HYD05087	Distributeur HCD25	Hydraulikblok	Hydraulische manifold
16	1	Directional control block V1	HYD-MHY-110C	HYD02106	Sélection circuit V1	Drukbegrenzer	Druckbegrenzer
17	1	Hydraulic manifold	HYD-DIS-U00634	HYD05185	Collecteur hydraulique	verdeelstuk	Verteilerblock
18	1	Complete left track	CHE-STR-VTSD7EX-G-U	CHE00024	Chenille gauche	Rupsbanden	Raupen
19	1	Complete right track	CHE-STR-VTSD7EX-D-U	CHE00023	Chenille droite	Rupsbanden	Raupen
20	1	Hose 420b 1 flange SAE 2" 6000PSI 45° - 1 flange SAE 1"1/2 6000PSI 90° L1240	HYD-FLX-F516	HYD05188	Flexible	Slang	Schlauch
21	2	Hose 420b 1 flange SAE 2" 6000PSI 45° - 1 flange SAE 1"1/2 6000PSI 90° L1010	HYD-FLX-F515	HYD05187	Flexible	Slang	Schlauch
22	4	Hose 350b 1 EM 38S - 1 flange SAE 1"1/4 6000PSI 45° L730	HYD-FLX-F514	HYD05186	Flexible	Slang	Schlauch
23	4	Hose 200b 2 EFT 16S L1200	HYD-FLX-F159	HYD01291	Flexible	Slang	Schlauch
24	2	Hose 200b 1 EFT 16S - 1 EFT 16S 90° L3400	HYD-FLX-F365	HYD01497	Flexible	Slang	Schlauch
25	1	Hose 50b 1 bride 45° 2" 6000 PSI + 1 bride 90° 2" 6000 PSI - L = 1440 mm orientation 15°	HYD-FLX-F625	HYD06764	Flexible	Slang	Schlauch
26	1	Hose 420b 2 brides SAE 2" à 45° 6000PSI (vérin 180T)	HYD-FLX-F550	HYD05614	Flexible	Slang	Schlauch

Listing SCHY.SB1000A-T1S16-XX.A

27	1	Hose 100b 1 EFT 16S – 1 EFT 16S 90° L1200	HYD-FLX-F095	HYD01227	Flexible	Slang	Schlauch
28	3	Hose 420b 1 EFT 16S – 1 EFT 16S 45° L1700	HYD-FLX-F337	HYD01469	Flexible	Slang	Schlauch
29	1	Hose 200b 1 EFT 16S – 1 EFT 16S 45° L2200	HYD-FLX-F281	HYD01413	Flexible	Slang	Schlauch
30	1	Hose 100b 2 EFT 16S L1500	HYD-FLX-F020	HYD01153	Flexible	Slang	Schlauch
31	1	Hose 420b 1 EFT 38S-1 flange SAE 1"1/2 6000 PSI 90°L825	HYD-FLX-F410	HYD01542	Flexible	Slang	Schlauch
32	1	Pressure sensor PA3020	ELE-SEN-PA3020	ELE01757	Capteur électron. de pression	Druksensor	Drucksensor
33	1	Hose 420b 2 EFT 38S 45° L720	HYD-FLX-F517	HYD05191	Flexible	Slang	Schlauch
34	1	Hose 100b 1 EFT 25S-1 EFT 25S 90° L520	HYD-FLX-F076	HYD01208	Flexible	Slang	Schlauch
35	1	Hose 100b 1 EFT 28L-1 EFT 30S 90° L820	HYD-FLX-F402	HYD01534	Flexible	Slang	Schlauch
36	1	Hose 100b 1 EFT 42L - 1 EFT 42L à 90° - L=2000 mm.	HYD-FLX-F636	HYD06971	Flexible	Slang	Schlauch
37	2	Valve HP 28L MM	HYD-RAC-VHP28LMM	HYD03781	Vanne haute pression	Hoge druk ventiel	Hochdruckventil
38	1	Hand gate FF2" INOX V2 ts HEX 71mm Thred 2" BSP length 27 mm.	HYD-RAC-VR2FF-IN-V2	HYD06377	Vanne haute pression	Hoge druk ventiel	Hochdruckventil
39	1	Hose 100b 2 EFT 42L- L690	HYD-FLX-F088	HYD01220	Flexible	Slang	Schlauch
40	1	Pusher ram	<i>See tech. notice</i>		Vérin pousseur	Aandrukkercilinder	Zylinder Schieber
41	1	Cutter ram	<i>See tech. notice</i>		Vérin de coupe	Snijcilinder	Schneidzylinder
42	2	Lid ram w/ sensor	<i>See tech. notice</i>		Vérin de plateau avec capteur	Plaatcilinder met sensor	Plattenzylinder ohne Sensor
43	2	Lid ram w/o sensor	<i>See tech. notice</i>		Vérin de plateau sans capteur	Plaatcilinder zonder sensor	Plattenzylinder mit Sensor
44	1	Crusher ram	<i>See tech. notice</i>		Vérin écraseur	Stampercilinder	Quetschzylinder
45	1	Hose 420b 1 flange SAE 6000PSI 1"1/2 – 1 EFT 38S 90° L2010	HYD-FLX-F332	HYD01464	Flexible	Slang	Schlauch
46	1	Hose 420b 1 flange SAE 6000PSI 1"1/2 – 1 EFT 38S 90° L1800	HYD-FLX-F328	HYD01460	Flexible	Slang	Schlauch
47	1	Hose 1 flange SAE 6000PSI 1"1/2 90° – 1 EFT 38S L1400	HYD-FLX-F329	HYD01461	Flexible	Slang	Schlauch
48	1	Hose 420b 1 flange SAE 6000PSI 1"1/2 90° – 1 EFT 38S 90° L2000	HYD-FLX-F330	HYD01462	Flexible	Slang	Schlauch
49	1	Hose 420b 1 flange SAE 6000PSI 1"1/2 45° – 1 EFT 38S L1600	HYD-FLX-F331	HYD01463	Flexible	Slang	Schlauch
50	1	Hose 420b 1 flange SAE 6000PSI 1"1/2 90° – 1 EFT 38S 90° L2150	HYD-FLX-F324	HYD01456	Flexible	Slang	Schlauch
51	1	Hose 420b 1 flange 6000PSI 1"1/2 90° – 1EFT 38S 45° L1200	HYD-FLX-F325	HYD01457	Flexible	Slang	Schlauch
52	1	Hose 420b 1 flange SAE 6000PSI 1"1/2 90° – 1 EFT 38S 90° L2150	HYD-FLX-F326	HYD01458	Flexible	Slang	Schlauch
53	1	Hose 420b 1 flange SAE 6000PSI 1"1/2 90° – 1 EFT 38S 45° L1200	HYD-FLX-F327	HYD01459	Flexible	Slang	Schlauch
54	1	Hose 420b 1 EFT 38S – 1 EFT 38S 90° L900	HYD-FLX-F220	HYD01352	Flexible	Slang	Schlauch

Listing SCHY.SB1000A-T1S16-XX.A

55	1	Hydraulic manifold 1500L	HYD-MHY-097C	HYD02093	Collecteur hydraulique	Hydraulikblok	Hydraulische manifold
56	1	Hose 100b 2 EFT 16S L2200	HYD-FLX-F021	HYD01154	Flexible	Slang	Schlauch
57	1	Hose 100b 2 EFT 25S L2600	HYD-FLX-F064	HYD01196	Flexible	Slang	Schlauch
58	1	Hose 100b 2 EFT 25S L1100	HYD-FLX-F350	HYD01482	Flexible	Slang	Schlauch
59	2	Hose 420b 2EFT 10S – L1100	HYD-FLX-F375	HYD01507	Flexible	Slang	Schlauch
60	4	Hose 100b 1 EFT 10S – 1 banjo ¼ + screw+ copper seal L4950	HYD-FLX-F527	HYD05255	Flexible	Slang	Schlauch
61	1	Hydraulic manifold control cooler LEFORT 120	HYD-HY-61A	HYD01716	Bloc	Oliekoeler	Ölkühler
62	1	Complete oil-air cooler Lefort 120	HYD-MHY-044B	HYD02013	Flexible	Slang	Schlauch
63	1	Hose 100b 1 EFT 25S - 1 EFT 25S à 45° - L = 1350 mm	HYD-FLX-F248	HYD01334	Flexible	Slang	Schlauch
64	1	Complete oil-air cooler	HYD-FLX-F312	HYD01444	Flexible	Slang	Schlauch
65	1	Hose 420b 2 EFT 10S L1500	HYD-FLX-F010	HYD01143	Flexible	Slang	Schlauch
66	1	Hose 50b 1 EFT 35L – 1 flange SAE 2" 90° L1900	HYD-FLX-F321	HYD01453	Flexible	Slang	Schlauch
67	1	Oil filter LEFO500 10µ	HYD-FLT-H00075 HYD-MHY-102	HYD01055 HYD02098	Filtre à huile	Oliefilter	Hauptölfilter
		Breather 10µ	HYD-FLT-H00076	HYD01056	Cartouche		
68	1	Air filter LEFO3200A 10µ	HYD-FLT-A0005	HYD00949	Filtre à air	Luchtfilter	Luftfilter
		Breather 10µ	HYD-FLT-A0036	HYD00980	Cartouche		
69	1	A20VFO260 regulation damper Kit	HYD-POM-KITACC-A20VFO260	HYD05457	kit Accumulateur pression régulation A20VFO260	Accumulator	Akumulator
70	1	Hose 420b 1 EFT 38S à 45° – 1 EFT 38S - L 1300mm anti usure	HYD-FLX-F523	HYD05210	Flexible	Slang	Schlauch
71	1	Hose 420b 1 bride 2" 6000 PSI + 1 bride 90° 2" 6000 PSI - L = 1500 mm	HYD-FLX-F592	HYD06345	Flexible	Slang	Schlauch
72	1	Hose 100b 1 EFT 42L - 1 EFT 42L à 90° - L=2300 mm.	HYD-FLX-F637	HYD06972	Flexible	Slang	Schlauch
73	1	Hose 100b 1 EFT 42L - 1 EFT 42L à 90° - L=2300 mm.	HYD-FLX-F375	HYD06972	Flexible	Slang	Schlauch
80	1	Pressure relief manifold 10..150bar (LP080B)	HYD-LIM-U00374-REP1	HYD01865	Limiteur de pression	Drukbegrenzer	Druckbegrenzer
81	1	Valve HP 25S MM	HYD-RAC-VHP25SMM	HYD03779	Vanne haute pression	Hoge druk ventiel	Hochdruckventil
82	1	Oil & air cooler BUGGE 008	HYD-RFD-AER008H	HYD03840	Aéroréfrigérant	Oliekoeler	Ölkühler
83	1	Hose 100b 1 EFT 28L - 1 EFT 28L 90° L750	HYD-FLX-F434	HYD01566	Flexible	Slang	Schlauch
84	1	Hose 50b 2 EFT 35L 90° L650	HYD-FLX-F074	HYD01206	Flexible	Slang	Schlauch
85	1	By pass 10 bar F1" – F1"	HYD-CLP-AR-R1	HYD00459	By pass 10 bar F1" – F1"	By pass 10 bar F1" – F1"	By pass 10 bar F1" – F1"
86	1	Hose 420b 2 EFT 25S - L 1300 Anti-usure	HYD-FLX-F051	HYD01183	Flexible	Slang	Schlauch
87	1	Hose 50b 1 EFT 42L - 1 EFT 42L à 90° - L = 3270 mm	HYD-FLX-F634	HYD06969	Flexible	Slang	Schlauch
88	1	Hose 225b 2 EFT 10S - L 2700 mm	HYD-FLX-F057	HYD01189	Flexible	Slang	Schlauch
89	1	Hose 50b 1 EFT 28L - 1 EFT 28L à 90 – L = 1500 mm	HYD-FLX-F635	HYD06970	Flexible	Slang	Schlauch
90	1	Spacer Cetop 4"-6000 PSI	HYD-BRD-U01236-	HYD06780	Entretoise bride		

Listing SCHY.SB1000A-T1S16-XX.A

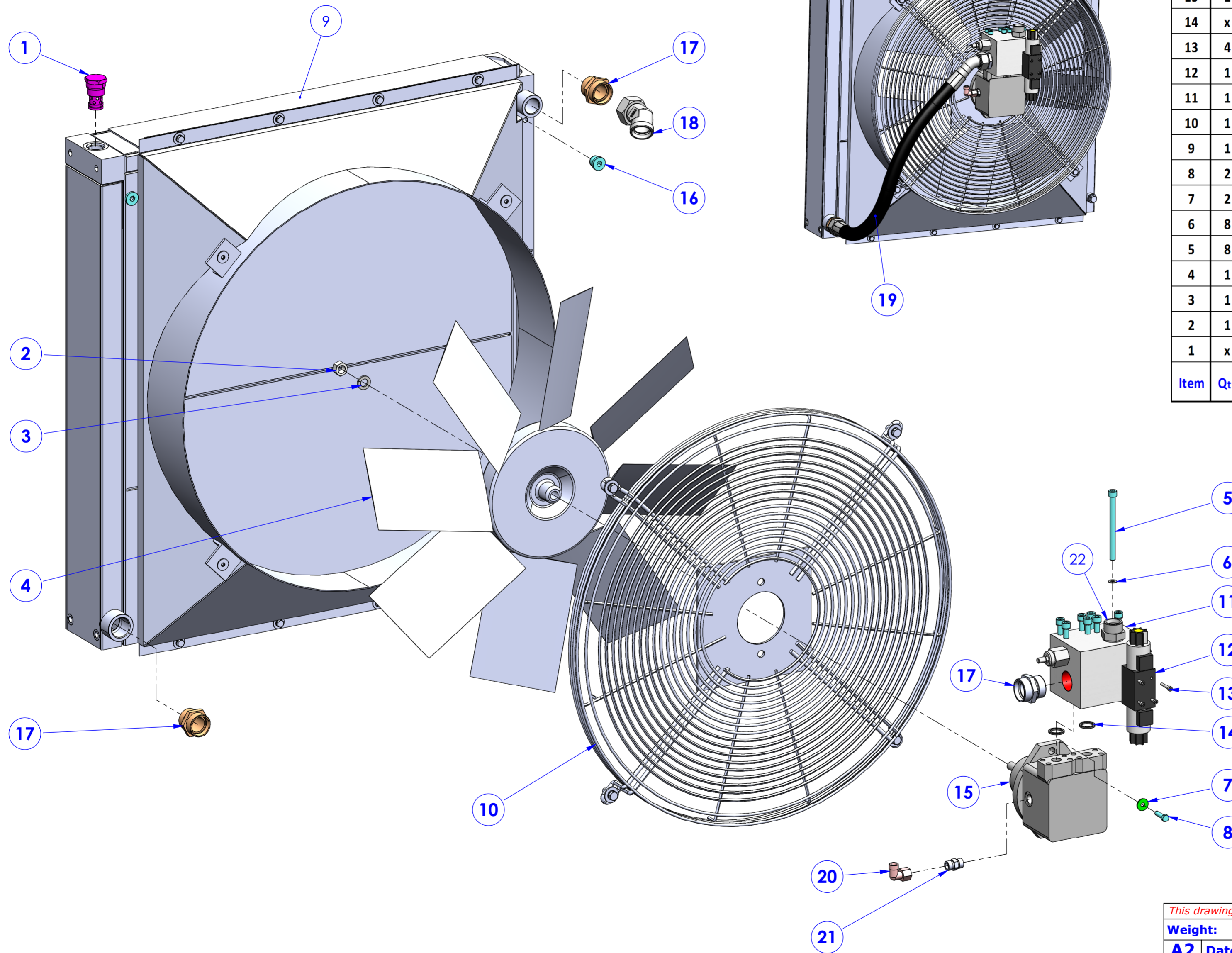
		with plug 1"	06		Cetop 4"-6000 PSI connection 1"		
91	5	Hand Vanne HP 25S MM - Vossform	HYD-RAC-VHP25SMM	HYD03779	Vanne HP 25S MM - Vossform		
92	2	Spacer SAE 2 ½" - 6000 PSI with plug 1"	HYD-BRD-U01236-05	HYD06779	Entretoise bride SAE 2 ½" 6 000 PSI connection 1"		
93	1	Spacer SAE 1 ½" - 6000 PSI with plug 1"	HYD-BRD-U01236-04	HYD06778	Entretoise bride SAE 1 ½" 6 000 PSI connection 1"		

References in italics are made/part of subsets.

R1506251233. LEFORT S.A.

Subject to changes. Some elements are not illustrated. Please contact the the customer service for any further information.

Reproduction prohibited, LEFORT references are given for information purposes.



22	1	Fitting MM 25S - 1" BSP with seal	HYD03219	
21	1	Fitting MM 10S - M18X1,5+ seal	HYD03102	
20	1	Swivel elbow 10S	HYD02681	
19	1	Hose 50b 1EFT 35L - 1EFT 35L 45°	HYD01444	
18	1	Swivel elbow 35L - 45°	HYD02707	
17	3	Fitting MM 35L - 1"1/4 + seal	HYD03160	
16	x	Hexagone socket cap with seal 1/2" BSP (Included)	HYD02563	
15	1	Cooler fan Motor Lefort 120 V3	HYD02120	
14	x	O-ring seal D023.0X3.6-N18 (Included)	JOI00494	
13	4	Screw DIN 912 M5 L=30 Zn	VIS01398	
12	1	Solenoid valve 6H-24VDC - 15 watts (Atos)	HYD00878	
11	1	Control block reversing direction	HYD01716	HY61
10	1	Oil cooler grille LEFORT TYPE 120	HYD03856	
9	1	Air cooler LEFORT TYPE 120	HYD03865	
8	2	Screw DIN 933 M12 L=40 Zn	VIS01690	
7	2	Washer DIN 125-1A M12 Zn	VIS00367	
6	8	Washer flat DIN125-1A M10 Zn plated	VIS00365	
5	8	Screw DIN912 M10 L=130 Zn	VIS00937	
4	1	Oil cooler fan	HYD03862	
3	1	Spring Washer DIN127B M16 Zn	VIS00403	
2	1	Nut DIN 934 M16x 1.5 with LOCTITE 2701	VIS00074	
1	x	By-Pass for Cooler- LEFORT 120 (Included)	HYD00475	
Item	Qty	Name	Part number	Drawing

This drawing is our property: it can't be reproduced or communicated without our written agreement.

Weight: ----- Kg			
A2 Date: 25/08/2014			
Scale: -/--			
Rev.	Date	Rev. description	By
A	--/--	-----	-
B	26/09/16	Update add #22	YY
-	--/--	-----	-

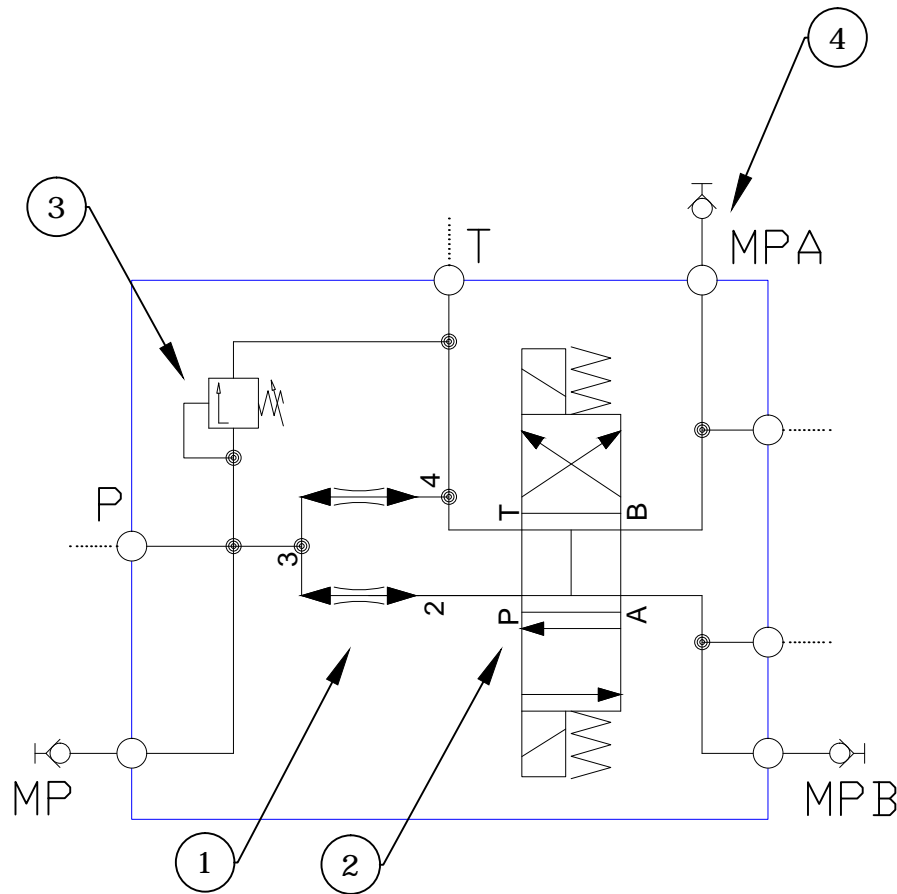
ASSEMBLY

Oil cooler type 120 bi-rotative With solenoid valve 15 watts

LEFORT
 Rue Tahon, 1A
 6041 GOSSELIES (BELGIUM)
 (+32) 071/35.16.09
 info@lefort.com

Drawn by : ALM Sheet 1/1

MHY044 B



4	3	Minimes Plug 400b - 1/4" BSP	HYD03305	
3	1	Proportionnal relief valve 210b	HYD05067	
2	1	Solenoid valve 6H-24VDC - 15 watts	HYD00878	
1	1	Flow divider SAE 16 350b	HYD05068	
Item	Qty	Name	Part Number	Drawing

This drawing is our property: it can't be reproduced or communicated without our written agreement.

Weight: ----- Kg			
A4		Date:13/09/2016	
Scale: -/--			
Rev.	Date	Rev. specification	By
-	--/--/--	-----	-
-	--/--/--	-----	-
-	--/--/--	-----	-

OIL COOLER CONTROL BLOCK

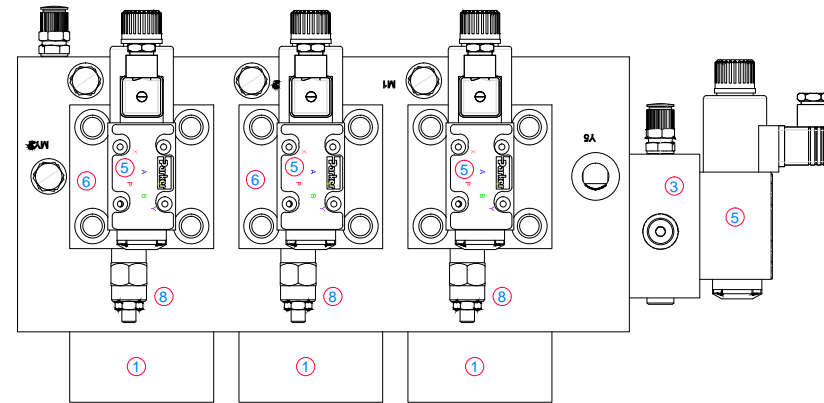
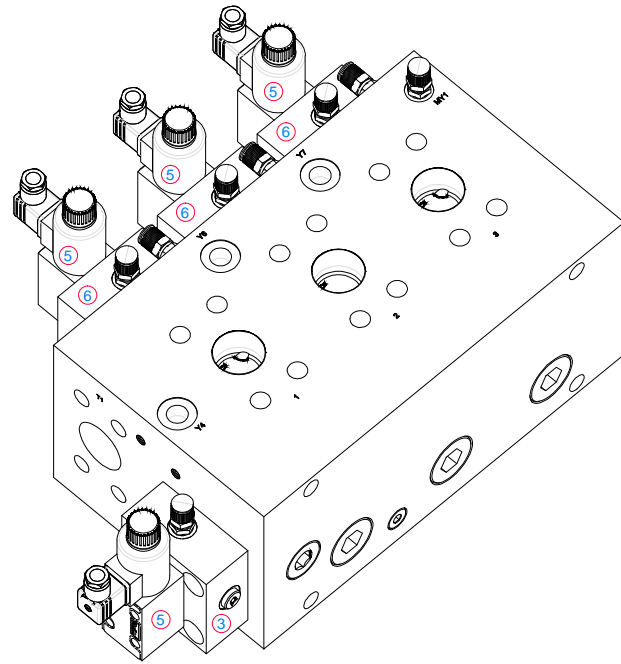


Rue Tahon, 1A
6041 GOSSELIES
(BELGIUM)
(+32) 071/35.16.09
info@lefort.com

Drawn by: LP

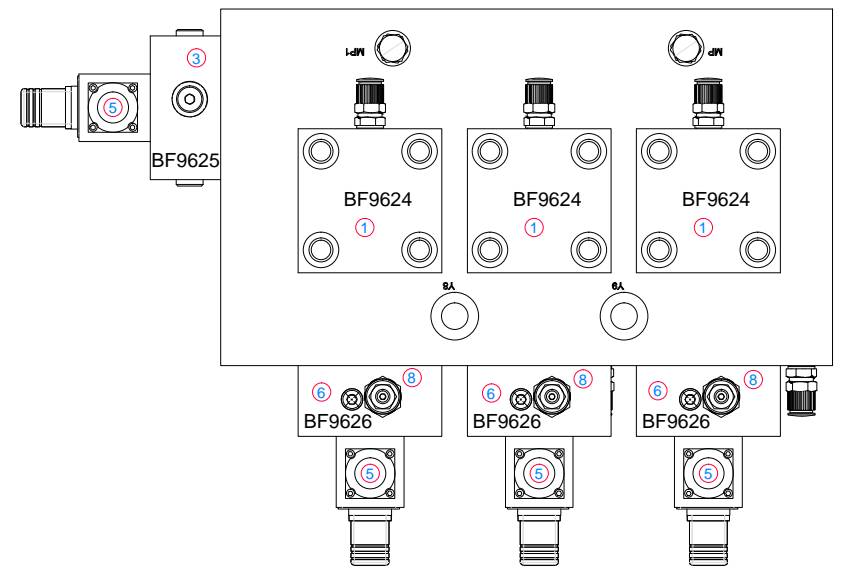
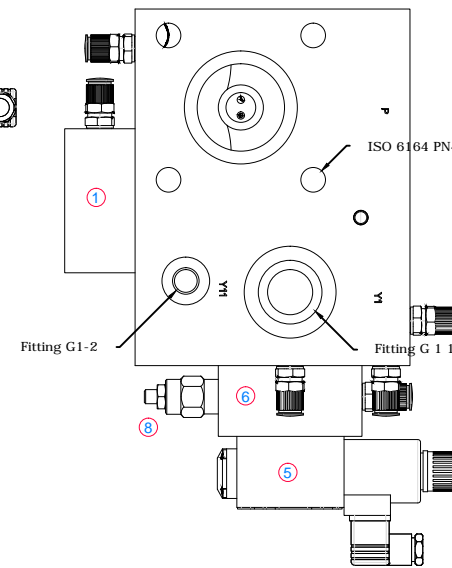
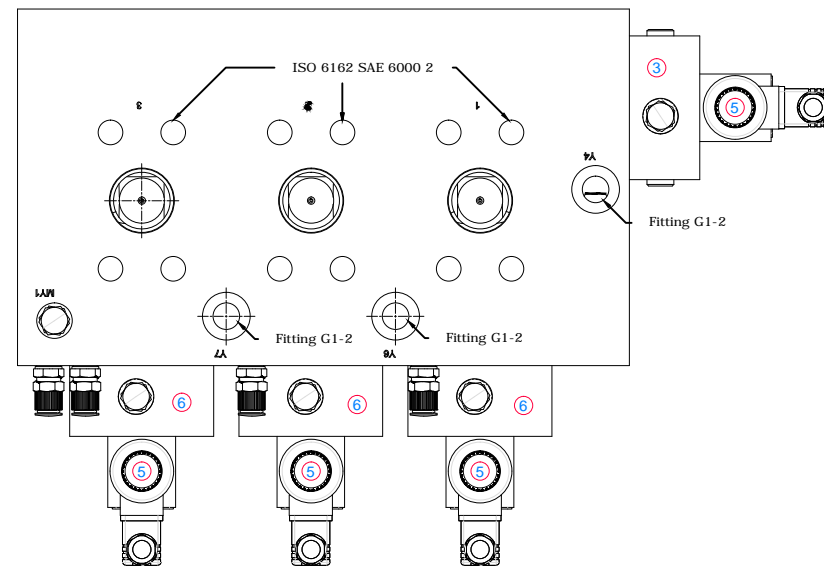
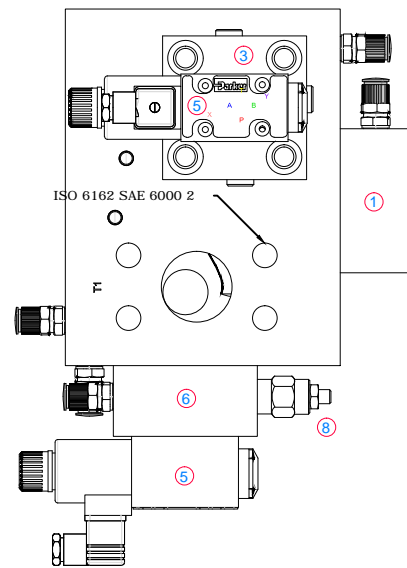
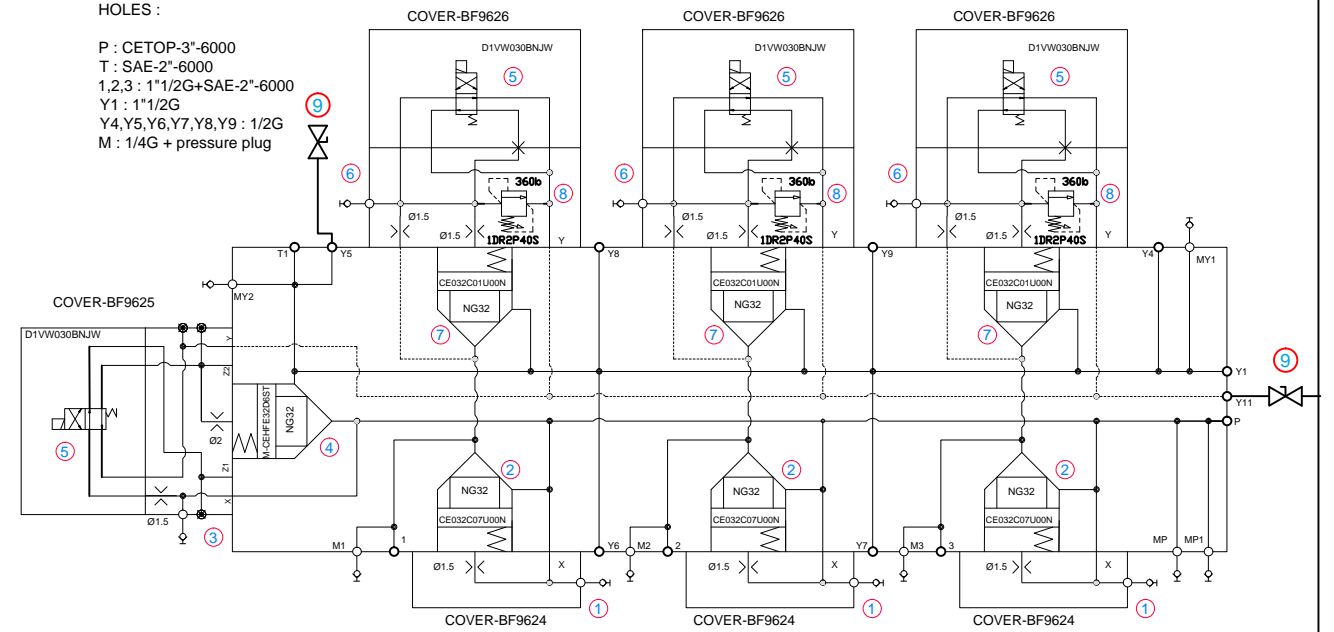
Sheet 1/1

MHY044 A



HOLES :

- P : CETOP-3"-6000
- T : SAE-2"-6000
- 1,2,3 : 1"1/2G+SAE-2"-6000
- Y1 : 1"1/2G
- Y4,Y5,Y6,Y7,Y8,Y9 : 1/2G
- M : 1/4G + pressure plug



9	2	Valve HP 1/2" FF	HYD03761	
8	3	Pressure relief valve 1DR2P40S	HYD01758	
7	3	Logic CE032C01U00N	HYD05046	
6	3	Cover plate BF9626 for logic NG32	HYD00563	
5	3	Solenoid operated valve 6D	HYD00867	
4	1	Logic CEHFE32D6ST	HYD00812	
3	1	Cover plate BF9625 for logic NG32	HYD00562	
2	3	Logic CE032C07U00N10	HYD00751	
1	1	Cover plate BF9624 for logic NG32	HYD00561	
Item	Qty	Name	Part Number	Drawing

This drawing is our property: it can't be reproduced or communicated without our written agreement.

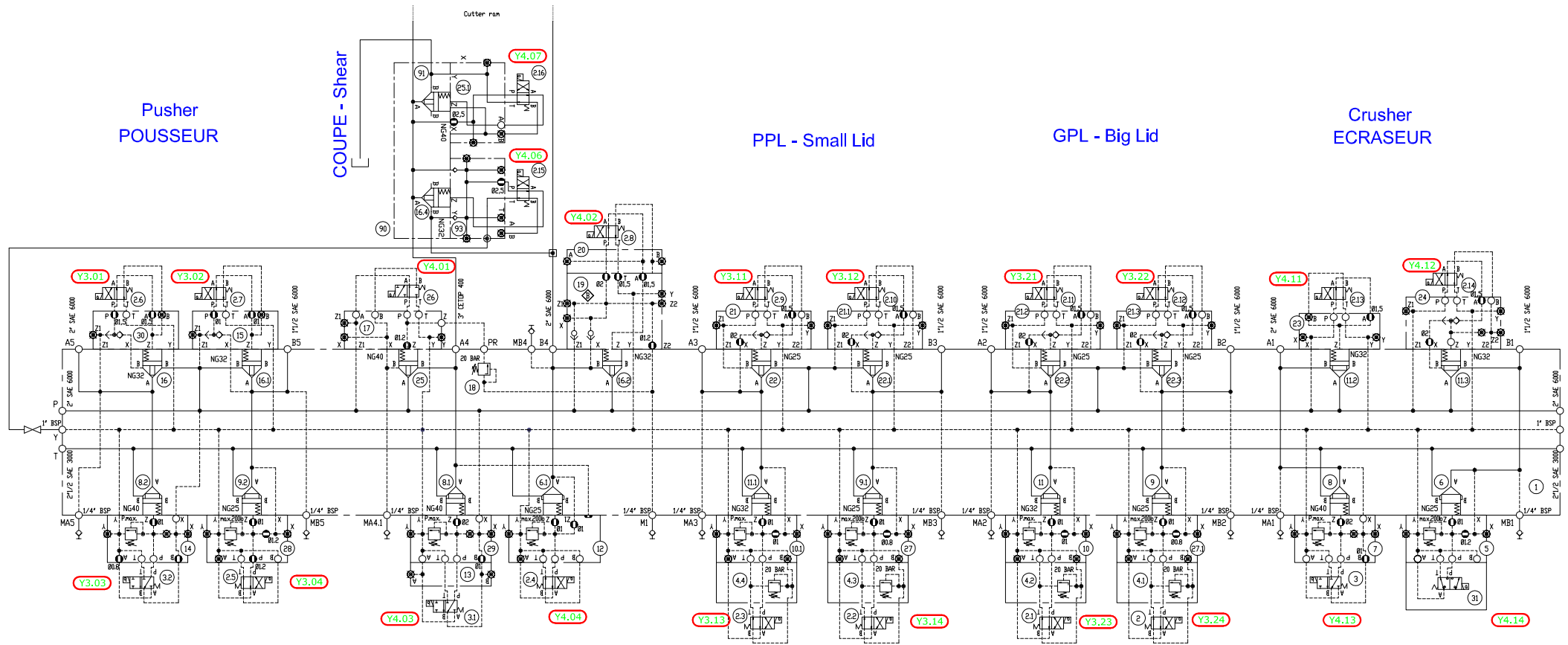
Weight: ----- Kg			
A3	Date:12/10/2012		
Scale: -/--			
Rev.	Date	Rev. description	By
B	12/10/12	Hydraumatec BFE9770C	MB
A	--/--/--	-----	-
-	--/--/--	-----	-

3-PUMP HYDRAULIC MANIFOLD

LEFORT
Rue Tahon, 1A
6041 GOSSELIES
(BELGIUM)
(+ 32) 071/35.16.09
info@lefort.com

Drawn by: RCO Sheet 1/1

MHY070 B



Item	Qty	Name	Part Number	Drawing
20	1	Spacer OBL.841.16	HYD00840	H00031
19	1	Cover plate Din 32 OB.4522.00.00	HYD00653	
18	1	Valve SUN-RDDA.L.DN CAV.T-10A 1.7->55 bar	HYD01856	
17	1	Cover plate Din 40 OBT.3130.01 modified	HYD00571	
16	4	Logic CE032C04T00N10	HYD00750	
15	1	Cover plate Din 32 OB.3129.01.00	HYD00631	H00002
14	1	Cover plate Din 40 OB.3125.02.00	HYD00621	H00003
13	1	Spacer EB3.0.3.14	HYD00564	
12	1	Cover plate Din 25 OB.3339.01.00	HYD00640	H00016
11	4	Logic CE032C07U00N10	HYD00751	
10	2	Cover plate Din 32 OB.3126.02.00	HYD00628	H00008
9	3	Logic CE025C07U00N10	HYD00748	
8	3	Logic CE040C07U00N10	HYD00754	
7	1	Cover plate Din 40 OB.3125.08.00	HYD00626	H00041
6	2	Logic CE025C01U00N10	HYD00745	
5	1	Cover plate Din 25 OB.2179.09.00	HYD00615	H00040
4	4	Pressure relief valve NG6 BT 70b	HYD01844	H00017
3	3	Solenoid valve 6B-24VDC b-controlled	HYD00859	
2	17	Solenoid valve 6D-350b-24VDC	HYD00867	
1	1	Hydraulic control block 1500L	HYD01747	

Item	Qty	Name	Part Number	Drawing
94	1	Cover plate Din 40 for NG40 - dump	HYD00566	U00508
93	1	Cover plate Din 32 for NG32 - recycling	HYD00565	U00336
31	1	Solenoid valve 6CK-24VDC	HYD00862	
30	1	Cover plate Din 32 OB.3129.02.00	HYD00632	H00001
29	1	Cover plate Din 40 OB.3125.01.00	HYD00620	H00006
28	1	Cover plate Din 25 OB.2179.08.00	HYD00614	H00004
27	2	Cover plate Din 25 OB.2179.05.00	HYD00612	H00009
26	1	Solenoid valve 6A-24VDC a-controlled	HYD00857	
25	1	Logic CE040C04T00N10	HYD00753	
24	1	Cover plate Din 32 OB.3131.01.00	HYD00635	H00011
23	1	Cover plate Din 32 OBT.1850.04	HYD00658	H00010
22	4	Logic CE025C04S00N10	HYD00746	
21	4	Cover plate Din 25 OB.3132.02.00	HYD00638	H00007

This drawing is our property. It can't be reproduced or communicated without our written agreement.

Weight: ----- Kg
 A1 Date: 07/09/2016
 Scale: - / -

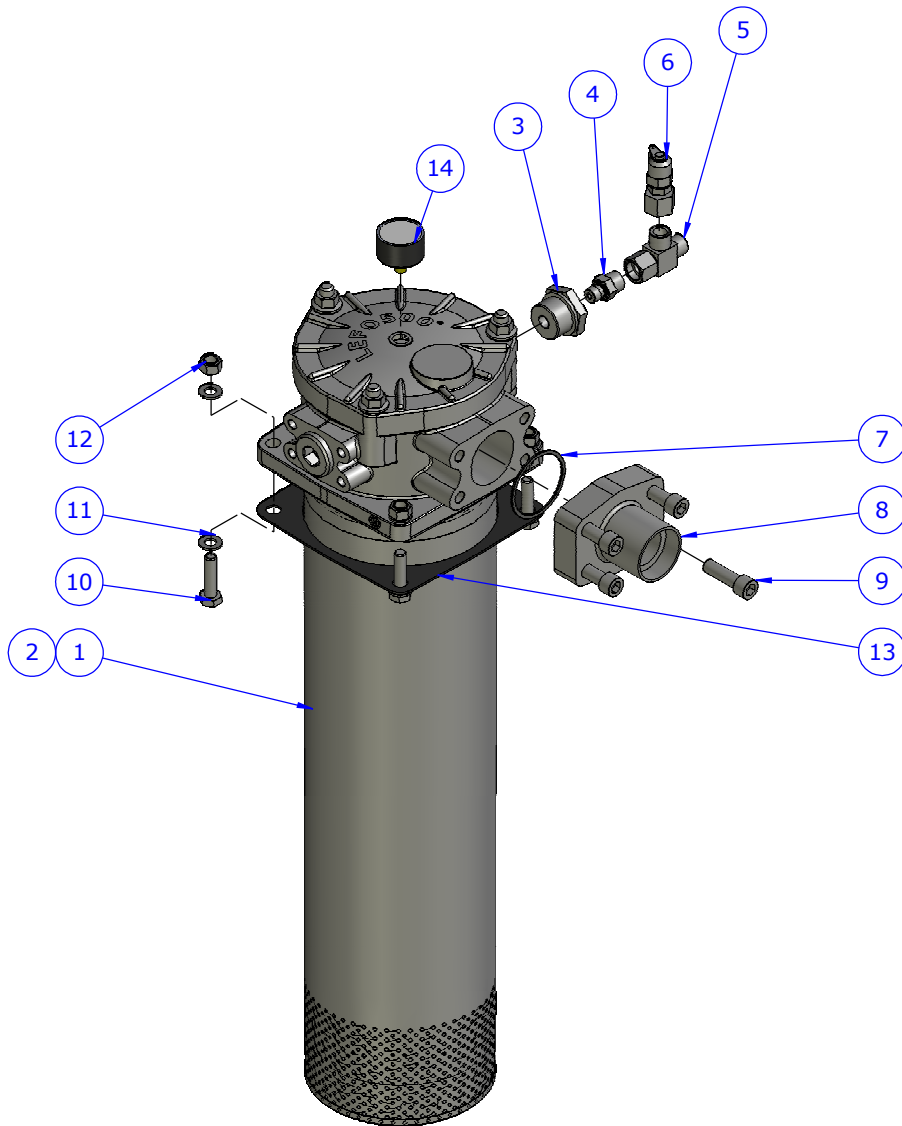
CYLINDERS
HYDRAULIC MANIFOLD
1500L

Rue Tahon, 1A
 6041 GOSSELIES (BELGIUM)
 +32 (0)71351609
 info@lefort.com

LEFORT

Drawn by: LP Sheet 1/1
MHY097 C

Rev.	Date	Rev. description	By
A	07/09/16	001 21172.007	LP
B	08/08/16	002 21172.007	CR
C	09/01/20	003 21172.007	CR



14	1	Indicateur visuel colmatage filtre LEFO500	HYD-FLT-FMUG2EBPG02L	
13	1	Kit de joint LEFO500	JOI-KIT-N095	
12	4	Ecrous DIN985 M10 nylstop	VIS-ECR-DIN985M10	
11	8	Rondelle plate DIN125-1A M10 Zinguée	VIS-RDL-DIN1251APLM10ZN	
10	4	Vis DIN933 M10x40 Zinguée	VIS-VIS-DIN933M10L40ZN	
9	4	Vis DIN912 M12x40	VIS-VIS-DIN912M12L40	
8	1	Bride FEM 3000PSI SAE 2" 42L	HYD-BRD-B66	
7	1	Joint O-ring Ø56.7x3.53	JOI-ORG-D056.7X3.5	
6	1	Prise de pression Minimess 10S 400b	HYD-RAC-PP10S	
5	1	T orientable Inversé 10S	HYD-RAC-TOI10S	
4	1	Raccord MM 10S -1/4 BSP + joint	HYD-RAC-MM10SR1/4J	
3	1	Raccord MF 1P" BSP + joint - 1/4" BSP	HYD-RAC-MFR1R1/4J	
2	XX	Filtre à huile LEFO500 Cartouche	HYD-FLT-H0076	
1	1	Filtre à huile LEFO500 Complet	HYD-FLT-H0075	

Rep	Qté	Désignation	Référence article	N° de plan
-----	-----	-------------	-------------------	------------

This drawing is our property; it can't be reproduced or communicated without our written agreement.

Poids / Weight: -----Kg			
A3	Date: 14/04/2015		
Ech. / Scale: -/--			
Ind	Date	Modification	By
A	18/01/16	Ajout Rep-14	MAA
-	--/--/--	-----	-
-	--/--/--	-----	-

MONTAGE

Filtre à huile

LEFO500

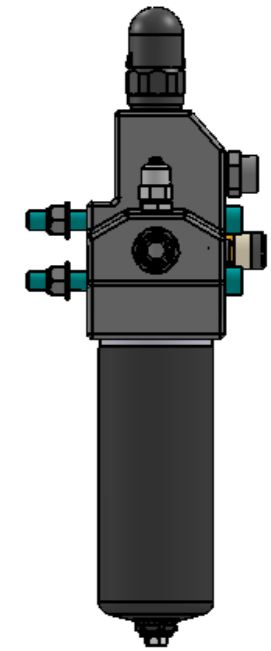
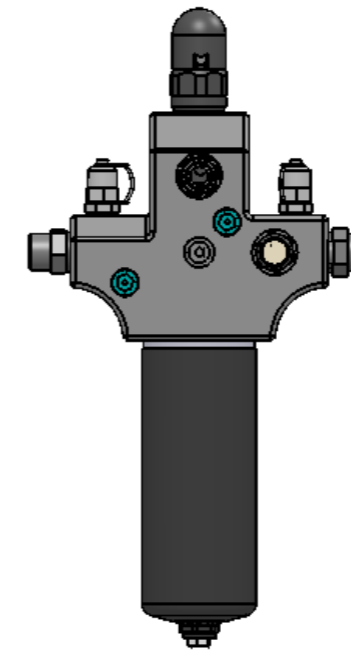
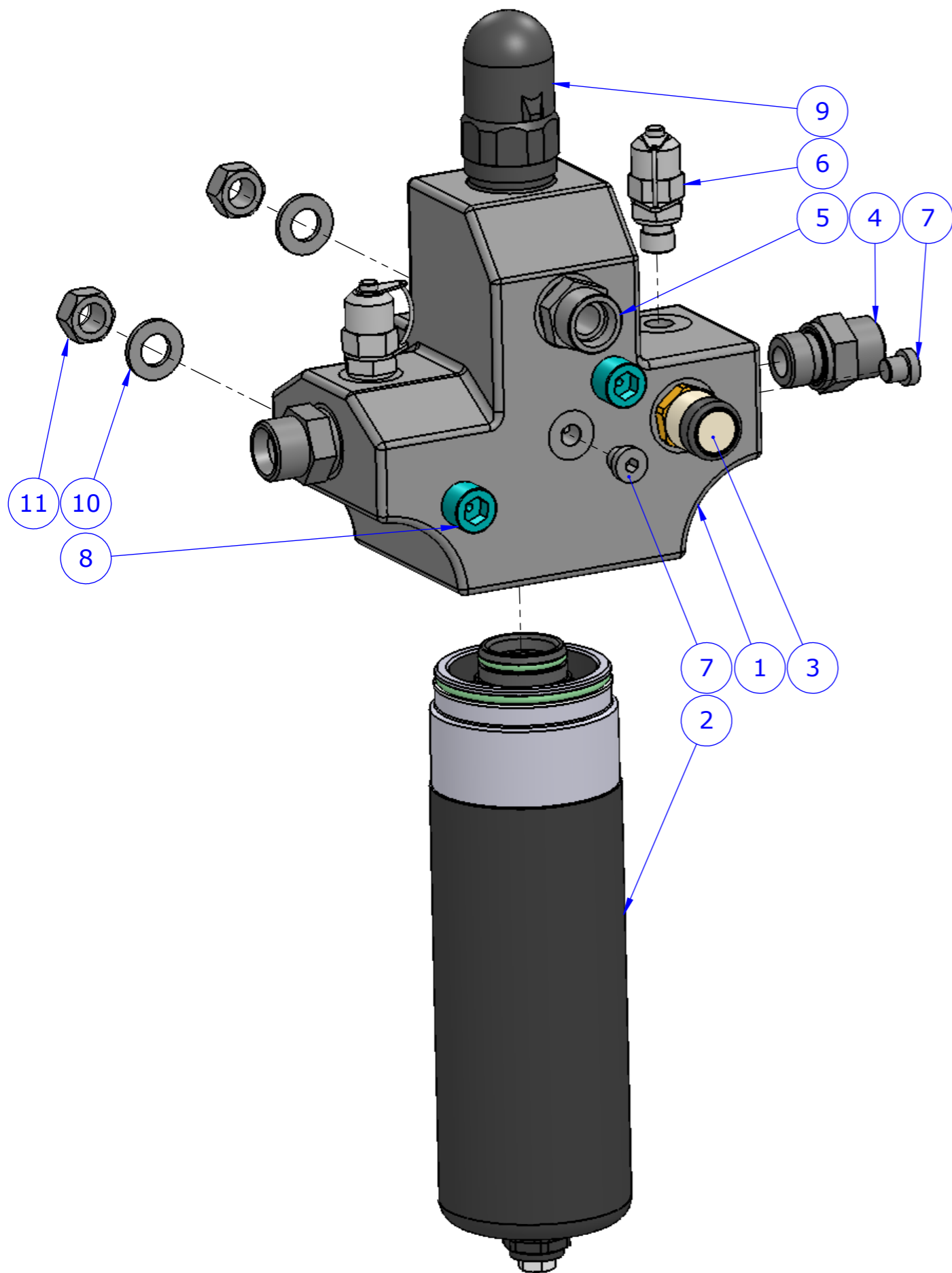


Rue Tahon, 1A
6041 GOSSÉLIES
(BELGIUM)
(+32) 071/35.16.09
info@lefort.com

Dessiné par: VA Feuille 1/1

MHY098 A





11	2	Nut DIN 985 nylstop M12	VIS00106	
10	2	Washer DIN125-1A M12 Zn plated	VIS00367	
9	2	Valve DBDS 10/100	HYD01781	
8	2	Screw DIN 912 M12x130	VIS00968	
7	2	Hexagone socket cap with seal 1/8" BSP	HYD02566	
6	2	Minimes Plug 400b - 1/4" BSP	HYD03305	
5	1	Fitting MM 16S -3/8 with seal	HYD03133	
4	2	Fitting MM 16S -1/2 with seal	HYD03125	
3	1	Visual inlet filter clogging indicator for control LEFORT V1	HYD00984	
-	-	Control filter breather element LEFO40 - 40L/Min - 5μ	HYD01062	
2	1	Bottom part filter LEFO40 - 40L/min - 5μ + breather	HYD01063	
1	1	Control block	HYD00936	U00388
Item	Qty	Name	Part number	Drawing

This drawing is our property: it can't be reproduced or communicated without our written agreement.

Weight:	-----	Kg	
A3	Date: 13/04/2015		
Scale:	-/--		
Rev.	Date	Rev. description	By
C	30/09/16	Upd #9	ALM
B	07/04/16	Add #10,11	BB
D	14/11/19	changed #8 length from 120 to 130mm	JBO

ASSEMBLY

Control filter

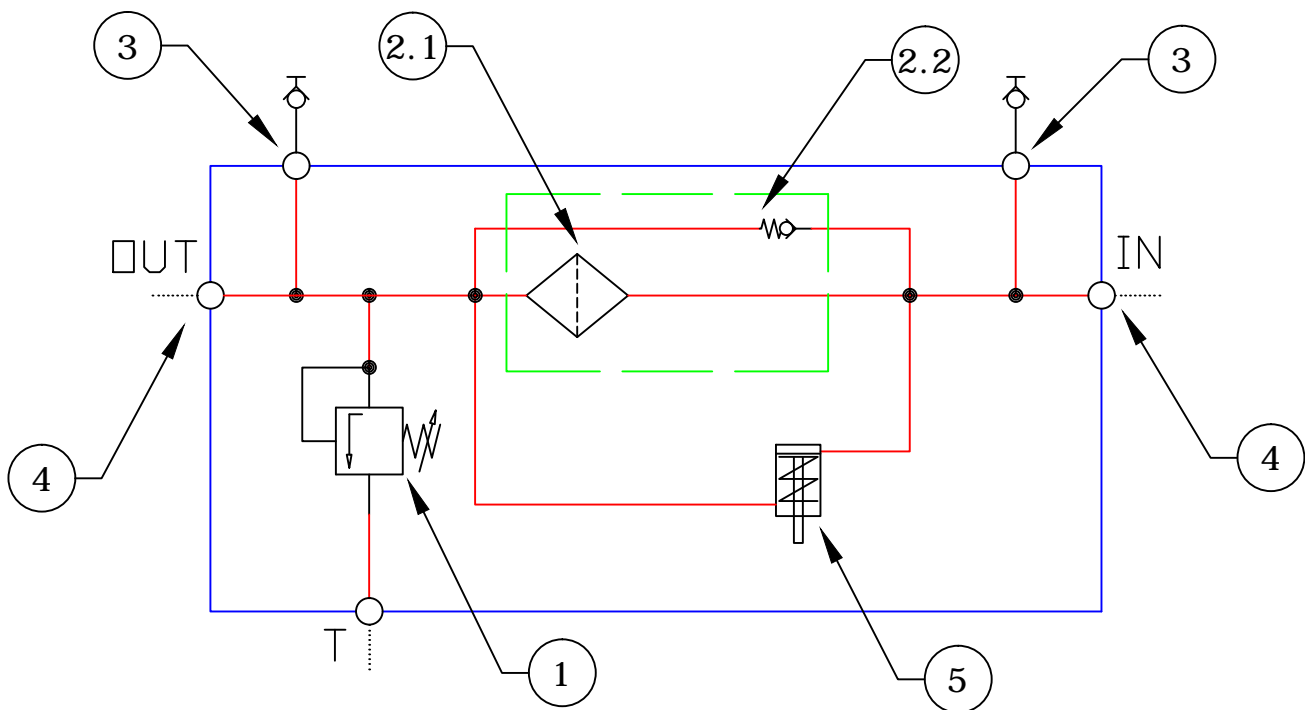
LEFORT V1



Rue Tahon, 1A
6041 GOSELIES
(BELGIUM)
(+32) 071/35.16.09
info@lefort.com

Drawn by : JP Sheet 1/1

MHY099 D



5	1	Visual inlet filter clogging indicator	HYD00984	
4	2	Fitting MM 16S - 1/2" with seal	HYD03125	
3	2	Minimess Plug 400b - 1/4" BSP	HYD03305	
2.2	1	Breather 5μ + by-pass 5bar	HYD01062	
2.1	1	Bottom part filter LEF040 - 40L/min	HYD01063	
1	1	Valve DBDS 10/100	HYD01781	
Item	Qty	Name	Part Number	Drawing

This drawing is our property: it can't be reproduced or communicated without our written agreement.

Weight: ----- Kg			
A4		Date: 01/09/2016	
Scale: -/--			
Rev.	Date	Rev. specification	By
-	--/--/--	-----	-
-	--/--/--	-----	-
-	--/--/--	-----	-

CONTROL OIL FILTER LEFORT V1

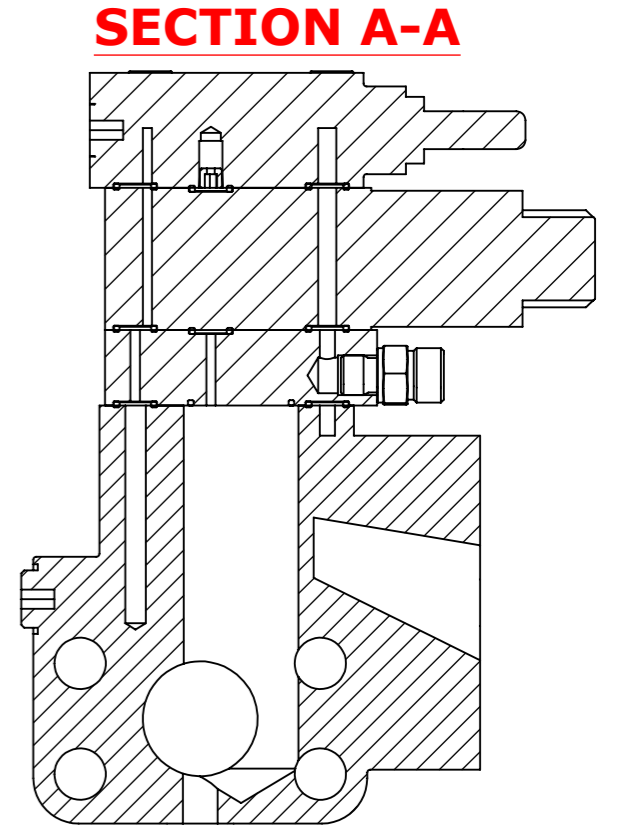
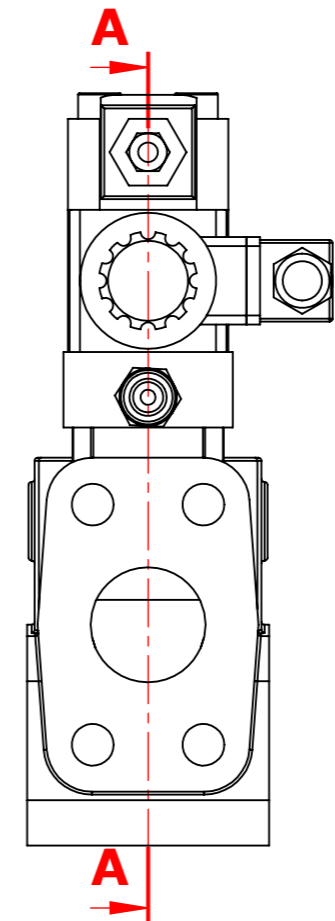
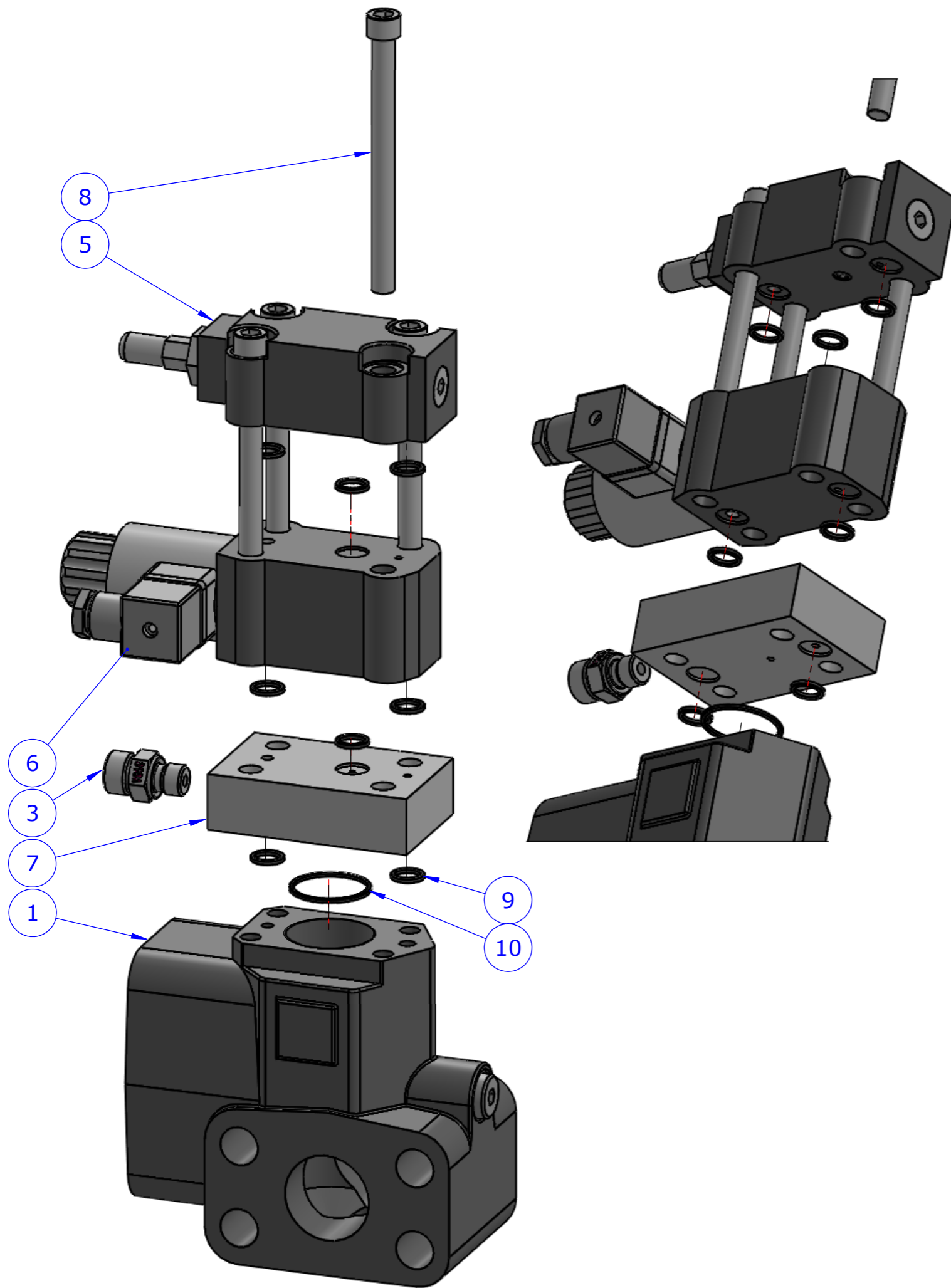


Rue Tahon, 1A
6041 GOSSELIES
(BELGIUM)
(+32) 071/35.16.09
info@lefort.com

Drawn by: LP

Sheet 1/1

MHY099 -



11	x	Deleted		
10	1	O-ring seal D031.47X1.78	JOI00519	
9	8	O-ring seal D010.5X2.0	JOI00454	
8	4	Screw DIN 912 3/8"x4"1/2 UNF	VIS01951	
7	1	Plate for pressure relief block DENISON	HYD00939	U00589
6	1	Solenoid valve 24VDC DENISON	HYD01798	
5	1	Proportional valve + Logic R4V06.005.31.A1	HYD00801	
4	x	Deleted		
3	1	Fitting MM 10S -1/4 + seal	HYD03094	
2	x	Deleted		
1	1	Pressure relief block R5V	HYD01797	U00573
Item	Qty	Name	Part number	Drawing

This drawing is our property: it can't be reproduced or communicated without our written agreement.

Weight: ----- Kg			
A3 Date: 08/01/2016			
Scale: -/--			
Rev.	Date	Rev. description	By
A	20/12/16	Update Add #5 -> 9	ALM
B	06/02/17	Upd #2,4,9,11 Renamed #1,5,6	LP
C	03/08/18	Update O-ring seal #9 Qty.	YY

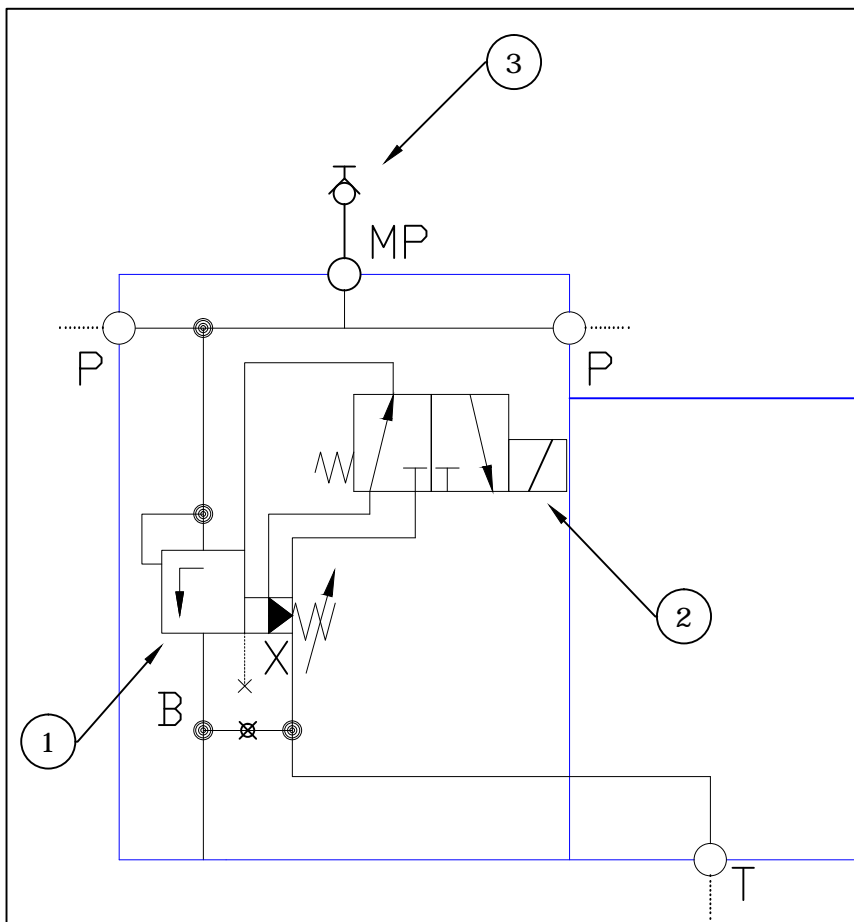
ASSEMBLY

Pressure relief block DENISON

Rue Tahon, 1A
6041 GOSELIES
(BELGIUM)
(+32) 071/35.16.09
info@lefort.com

Drawn by : MAA Sheet 1/1

MHY110 C



3	1	Minimes Plug 400b - 1/4" BSP	HYD03305	
2	1	Solenoid valve 24VDC DENISON	HYD01798	
1	1	Proportional valve + Logic R4V06.005.31.A1	HYD00801	
Item	Qty	Name	Part Number	Drawing

This drawing is our property: it can't be reproduced or communicated without our written agreement.

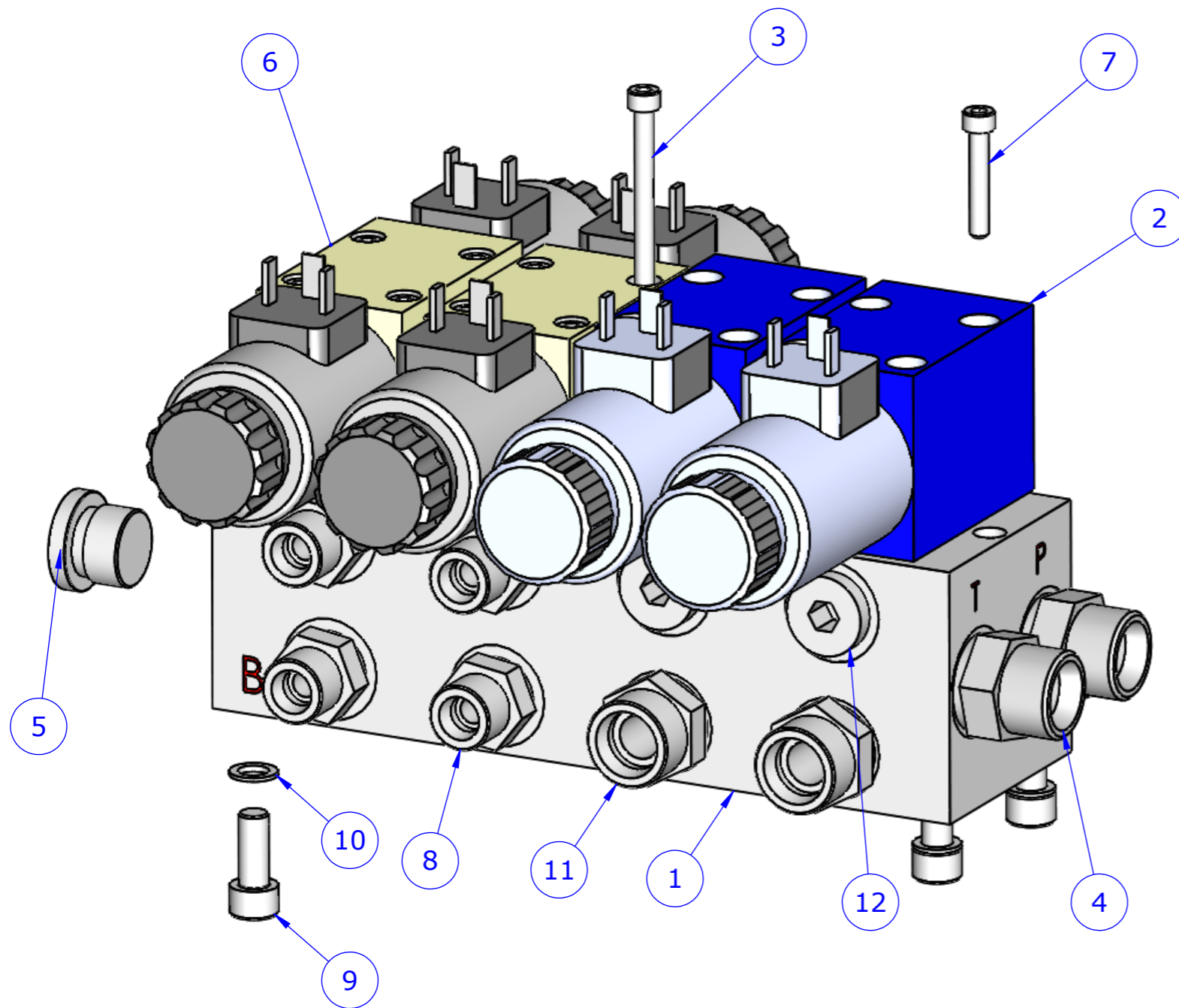
Weight: ----- Kg			
A4	Date:01/09/2016		
Scale: -/--			
Rev.	Date	Rev. description	By
-	--/--/--	-----	-
-	--/--/--	-----	-
-	--/--/--	-----	-

DIRECTIONAL CONTROL BLOCK V1

Rue Tahon, 1A
6041 GOSSELIES
(BELGIUM)
(+32) 071/35.16.09
info@lefort.com

Drawn by: LP
Sheet 1/1

MHY110 B



12	2	END CAP DIN908 3/8"	HYD02572	
11	2	Fitting MM 16S - 3/8" with seal	HYD03133	
10	4	Washer SCHNORR Type S M8	VIS00541	
9	4	Screw DIN 912 M8x20	VIS01451	
8	8	Fitting MM 10S - 3/8" + seal	HYD03096	
7	8	Screw DIN 912 M5x30 Zn plated	VIS01398	
6	2	Solenoid valve 6J-24VDC M5x30 bolts 15W	HYD00884	
5	2	Hexagone socket cap with seal 1/2" BSP	HYD02563	
4	2	Fitting MM 16S - 1/2" with seal	HYD03125	
3	8	Screw DIN 912 M5x50 Zn plated	VIS01405	
2	2	Solenoid valve 6D-34VDC 350b	HYD00865	
1	1	Base for 4 solenoid valves NG6-cetop 3 - 3/8"	HYD00822	
Item	Qty	Name	Part number	Drawing

This drawing is our property: it can't be reproduced or communicated without our written agreement.

Weight:	-----	Kg	
A3	Date:	21/02/2017	
Scale:	1/10		
Rev.	Date	Rev. description	By
A	31/08/20	updated nomencl.	PPL
B	19/10/20	3D update	PPL
-	--/--/--	-----	-

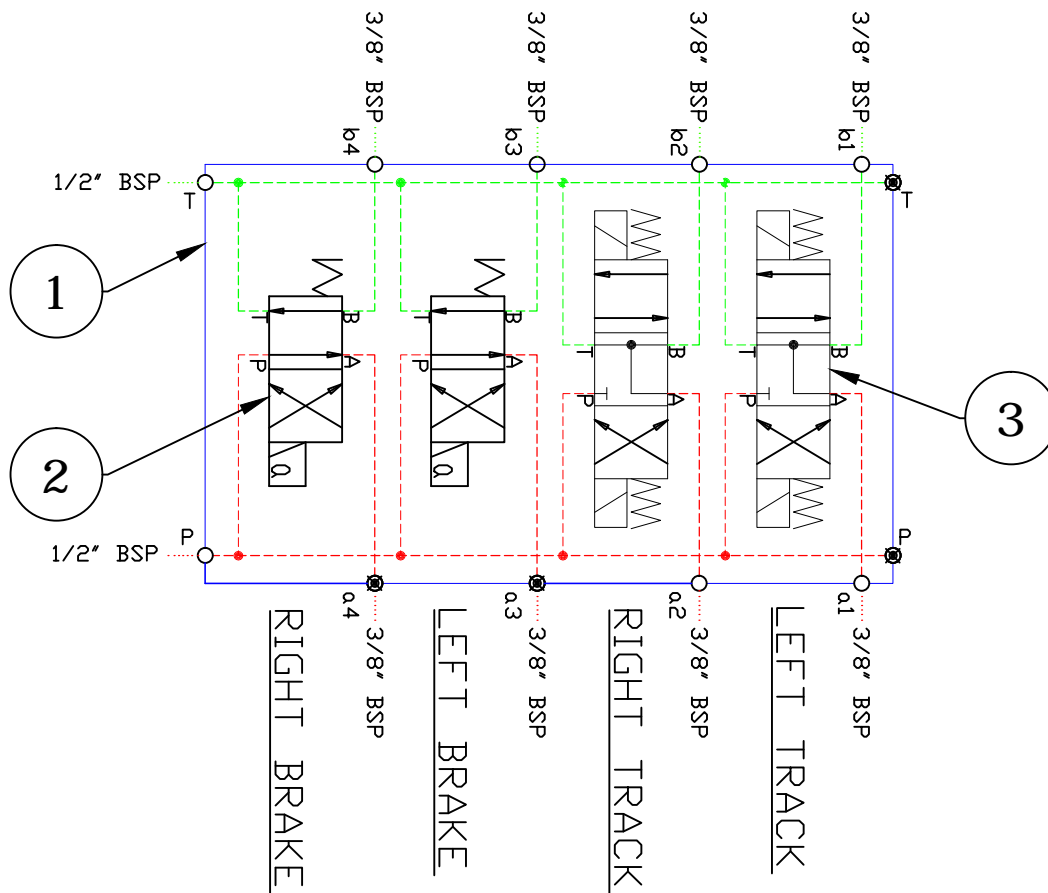
ASSEMBLY

4-valve control block for tracks

Rue Tahon, 1A
6041 GOSELIES
(BELGIUM)
(+32) 071/35.16.09
info@lefort.com

Drawn by : LP Sheet 1/1

MHY117 B



3	2	Solenoid valve 6J-24VDC M5x30 bolts 15W	HYD00884	
2	2	Solenoid valve 6D-350b-24VDC 350b	HYD00865	
1	1	embase 4 pilotes NG6-cetop 3 - 3/8"	HYD00822	
Item	Qty	Name	Part Number	Drawing

This drawing is our property: it can't be reproduced or communicated without our written agreement.

Weight: ----- Kg

A4 Date:20/01/2016

Scale: -/--

Rev.	Date	Rev. specification	By
-	--/--/--	-----	-
-	--/--/--	-----	-
-	--/--/--	-----	-

4-VALVE CONTROL BLOCK FOR TRACKS

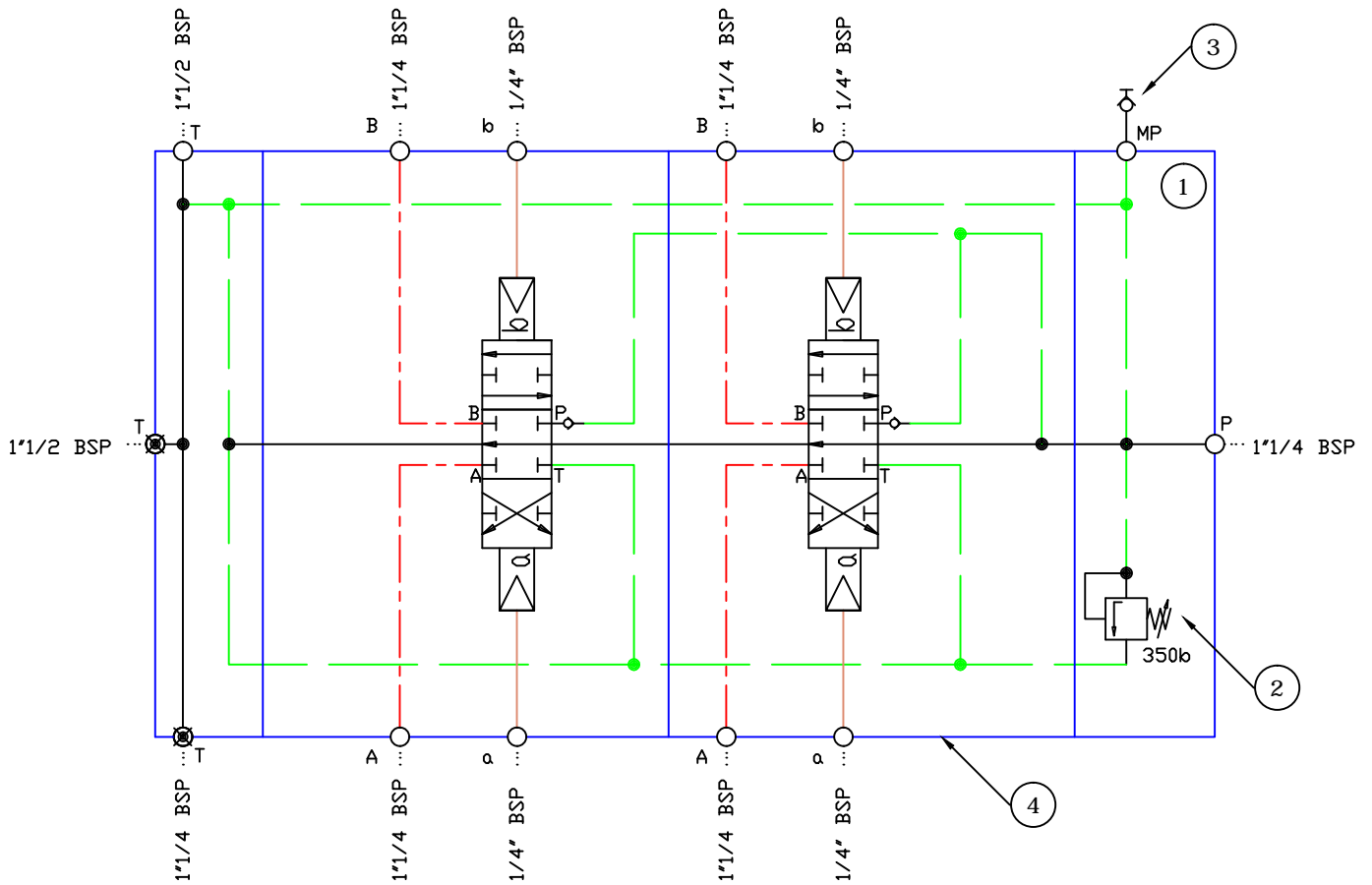


Rue Tahon, 1A
6041 GOSSELIES
(BELGIUM)
(+32) 071/35.16.09
info@lefort.com

Drawn by: LP

Sheet 1/1

MHY117 -



4	2	HC-D25 Element	HYD00721	
3	1	Minimess Plug 400b - 1/4" BSP	HYD03305	
2	1	Main relief valve HC-D25	HYD01804	
1	1	Hydraulic manifold HC-D25	HYD00722	
Item	Qty	Name	Part Number	Drawing

This drawing is our property: it can't be reproduced or communicated without our written agreement.

Weight: ----- Kg			
A4	Date: 23/01/2017		
Scale: -/--			
Rev.	Date	Rev. specification	By
-	--/--/--	-----	-
-	--/--/--	-----	-
-	--/--/--	-----	-

2-ELEMENTS

CONTROL BLOCK

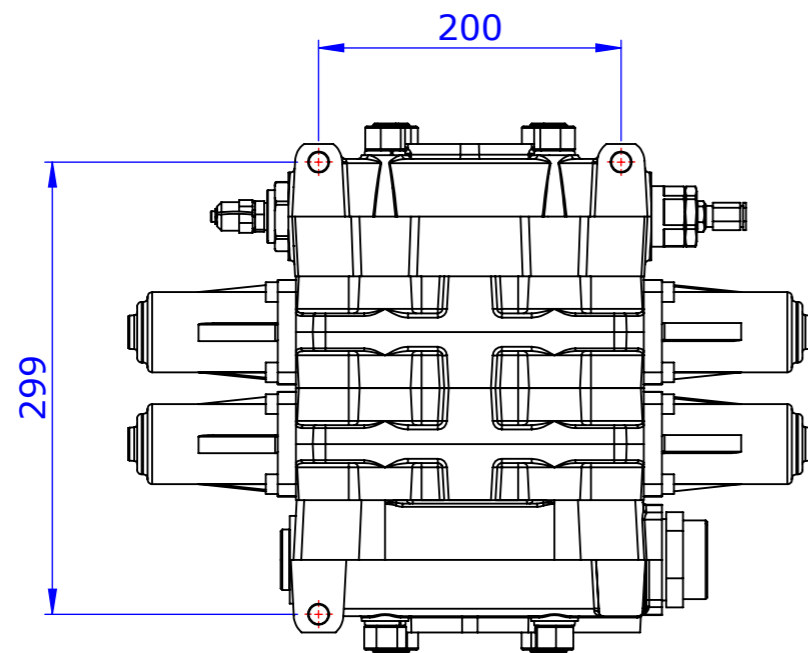
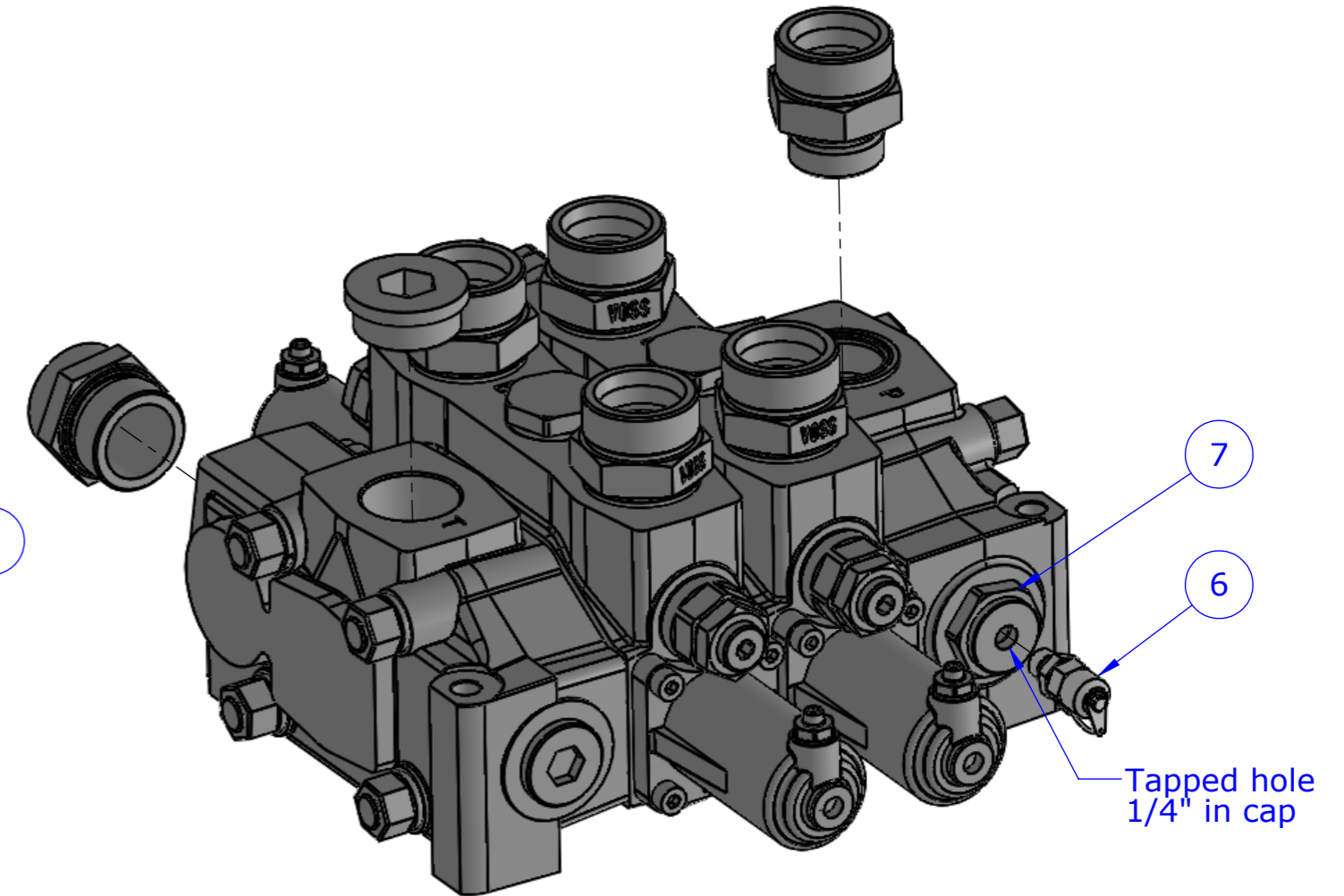
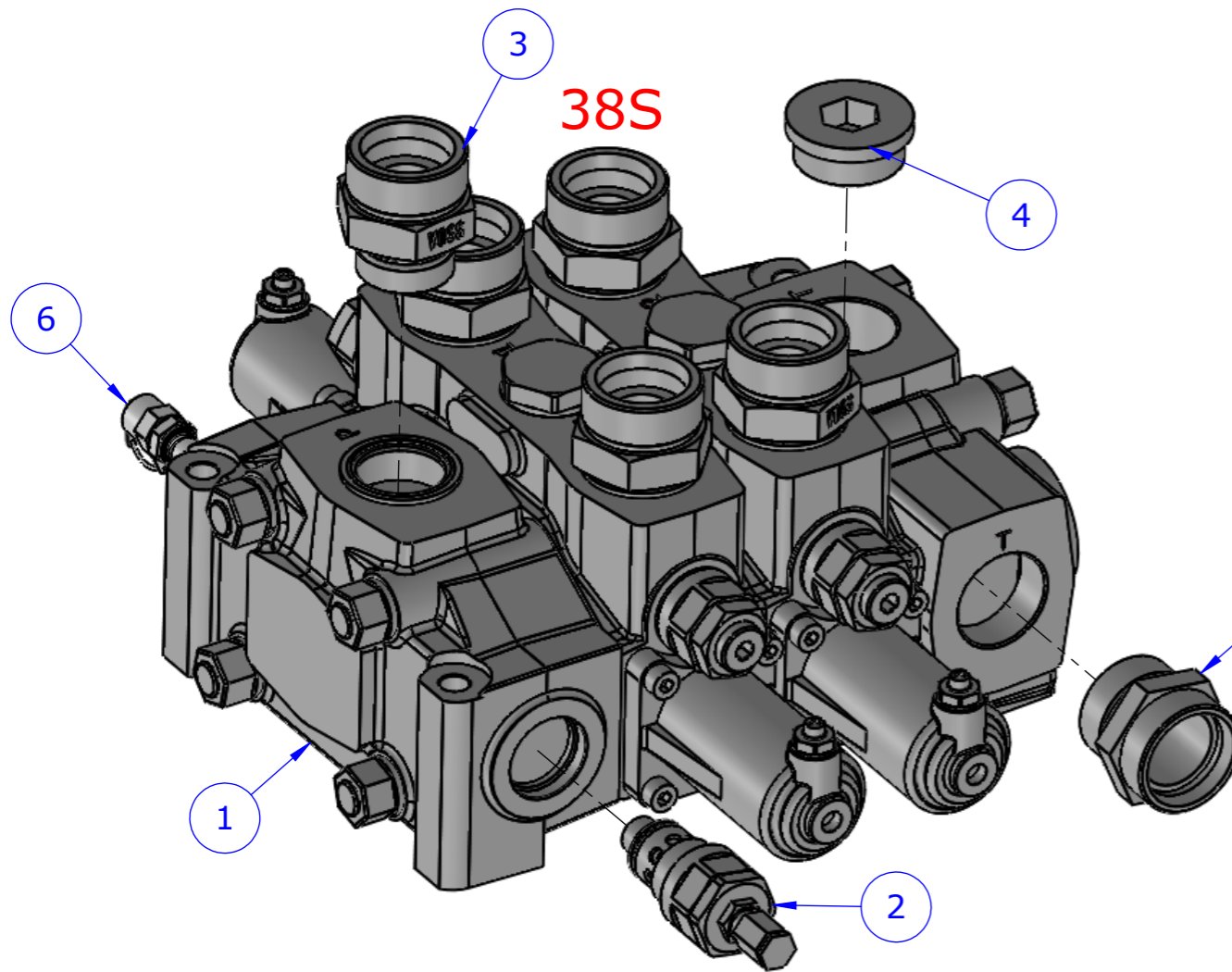
HC-D25-2



Rue Tahon, 1A
6041 GOSSELIES
(BELGIUM)
(+32) 071/35.16.09
info@lefort.com

Drawn by: LP Sheet 1/1

MHY118 -



7	1	Hexagonal cap from HC-D25 1/4" BSP - machined	HYD05324	U00656
6	1	Minimes Plug 400b - 1/4" BSP	HYD03305	
5	1	Fitting MM 42L 1"1/2 +seal	HYD03172	
4	1	Hexagone socket cap with seal 1" 1/2 BSP	HYD02573	
3	5	Coupling 38S - 1"1/4 BSP	HYD03511	
2	1	Main relief valve HC-D25	HYD01804	
1	1	Hydraulic manifold HC-D25 2 elements	HYD00722	
Item	Qty	Name	Part number	Drawing

This drawing is our property: it can't be reproduced or communicated without our written agreement.

Weight: ----- Kg

A3 Date: 23/03/2017

Scale: -/--

Rev.	Date	Rev. description	By
A	28/04/20	nomenclature updated	PPL
-	--/--	-----	-
-	--/--	-----	-

HC-D25

HYDRAULIC MANIFOLD 2 ELEMENTS



Rue Tahon, 1A
6041 GOSELIES
(BELGIUM)
(+32) 071/35.16.09
info@lefort.com

Drawn by : LP Sheet 1/1

MHY118 A

Chapter I



Description of the machine

9. Electrical diagrams

Drawings		
1	Power supply & engine interface	ALM006.D
	Junction harness	FXK9.B
2	Control panel	TAB025.I
3	Engine harness	FXM5.D/4
4	Fieldbus overview	FXBUS8.F
	IN / OUT	IO_MACHINE
	Hydraulic manifold connections	BHY002.H
	Remote control harness	FXRC10.A

A

B

C

D

E

F

G

H

I

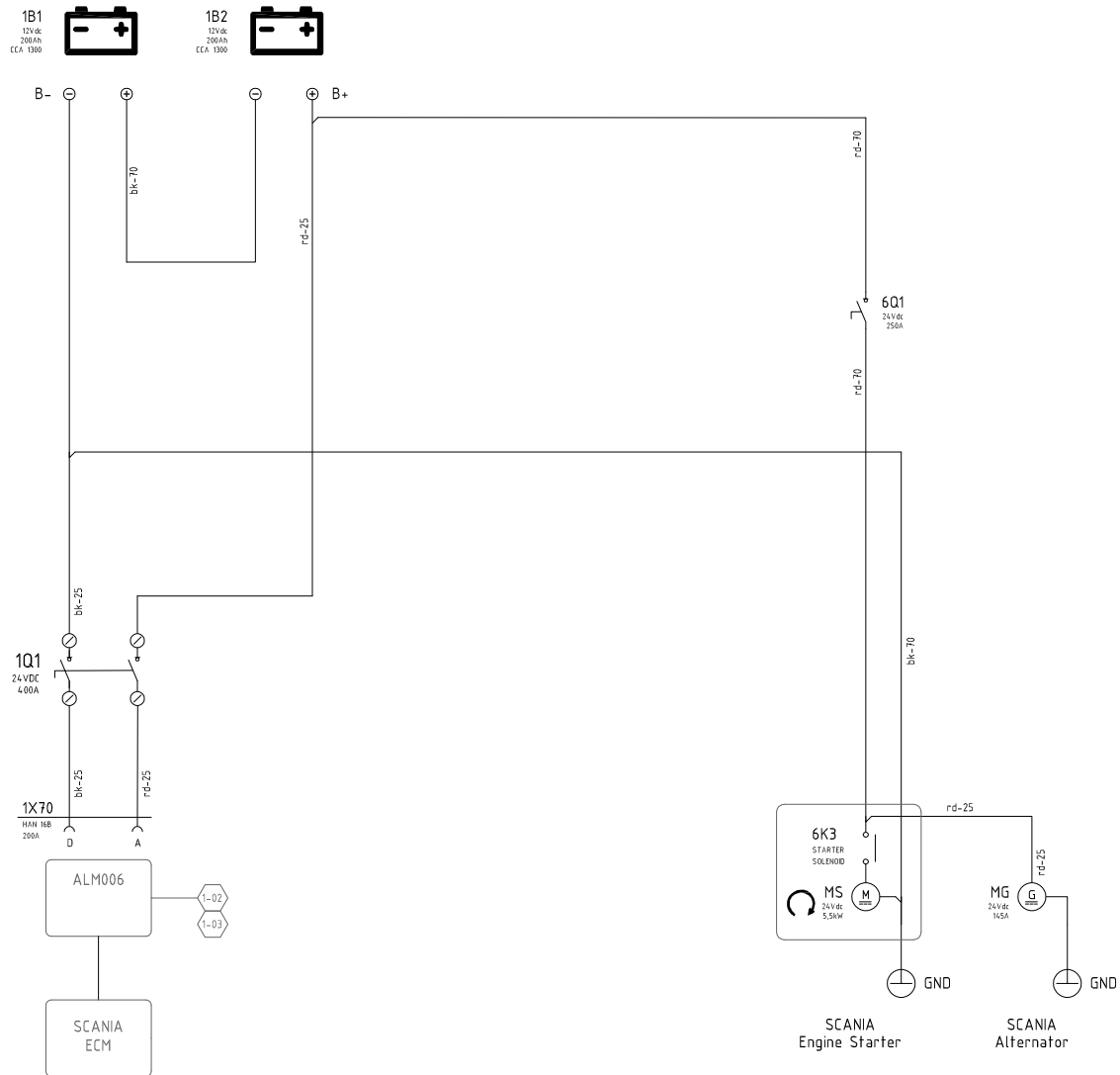
J

K

L

M

N



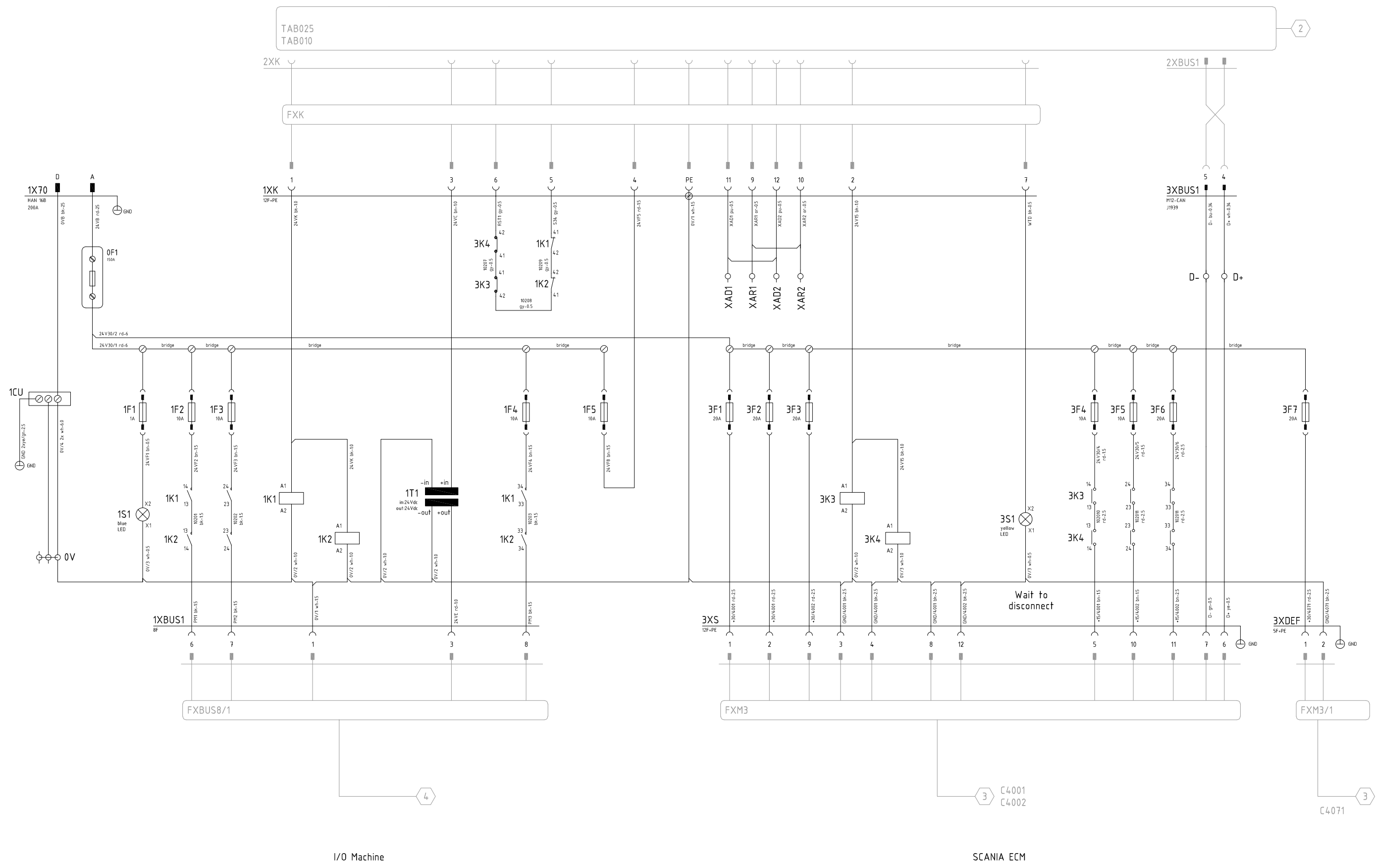
BATTERY - STARTER

ALM006.D

TRAX 1000
SCANIA until STAGE VRCO
01.10.20

1-01

Control panel



I/O Machine

SCANIA ECM



24V
POWER SUPPLY

ALM006.D

TRAX
SCANIA until STAGE V

RCO
01.10.20

1-02

Parts List				
#	Qty	Article	Barcode	Description
0F1	1	ELE-FUS-BATT150A	ELE01303	Blade MIDI fuse BF1/SF30 200A
0F1	1	ELE-FUS-PORTEFUS-BF1	ELE02398	Blade MIDI fuse holder
1F1	1	ELE-FUS-AUTO1A	ELE01916	Blade fuse ATO 1A
1F2.1F5	4	ELE-FUS-AUTO10A	ELE01292	Blade fuse ATO 10A
1F1.1F5	5	ELE-ACC-BORFUS-AUTO	ELE02368	ATO Blade fuse holder, terminal
1K1-1K2	2	ELE-REL-RPM4ZBD	ELE02122	Relay 24V15A -4CO
1K1-1K2	2	ELE-REL-RPZF4	ELE02123	RPM4ZBD Relay socket
1S1	1	ELE-BTN-XB4BVB6	ELE01999	Blue pilot light 24V
1T1	1	ELE-ALI-24V/24V-2.5A	ELE01986	DC-DC converter 24-24 60W
1X70	1	ELE-CON-09300160301	ELE00883	Embase 16B droite
1X70	2	ELE-CON-09140012663	ELE00839	Module mâle 200A
1X70	1	ELE-CON-09140160303	ELE00854	Cadre 16B MAJ
1XBUS1	1	ELE-CON-09200030301	ELE00869	Embase 3A droite
1XBUS1	1	ELE-CON-09360083101	ELE00896	Insert HAND 8F
1XBUS1	1	ELE-CON-09200009918	ELE00868	Vis IP65 HAN 3A
1XK	1	ELE-CON-09200030301	ELE00869	Embase 3A droite
1XK	1	ELE-CON-09120123101	ELE00837	Insert HAN Q 12F+PE
1XK	1	ELE-CON-09200009918	ELE00868	Vis IP65 HAN 3A

Parts List				
#	Qty	Article	Barcode	Description
3F1.3F3	3	ELE-FUS-AUTO20A	ELE02198	Blade fuse ATO 20A
3F4-3F5	2	ELE-FUS-AUTO10A	ELE01292	Blade fuse ATO 10A
3F6-3F7	2	ELE-FUS-AUTO20A	ELE02198	Blade fuse ATO 20A
3F1.3F7	7	ELE-ACC-BORFUS-AUTO	ELE02368	ATO Blade fuse holder, terminal
3K3-3K4	2	ELE-REL-24V25A-3NO1NC	ELE01488	Power relay 24V 25A 3NO 1NC Faston connection
3S1	1	MT-CAT-4215575	MOT00653	"Wait to disconnect" lamp
3S1	1	MOT-CAT-4231796	MOT00654	"Wait to disconnect" Sticker
3XBUS1	1	ELE-CON-M12MM16-CAN	ELE01021	M12 male CANopen, M16 thread
3XBUS1	1	ELE-ACC-CEM16M	ELE00094	Lock-nut M16x1.5mm Brass
3XS	1	ELE-CON-09200030301	ELE00869	Embase 3A droite
3XS	1	ELE-CON-09120123101	ELE00837	Insert HANQ 12F+PE
3XS	1	ELE-CON-09200009918	ELE00868	Vis IP65 HAN 3A
3XDEF	1	ELE-CON-09200030301	ELE00869	HAN 3A housing straight
3XDEF	1	ELE-CON-09120053101	ELE00835	HAN Q Insert 5F + PE
3XDEF	1	ELE-CON-09200009918	ELE00868	HAN 3A IP65 screw
	1	ELE-COF-300600300	ELE00804	300x600x300 electrical enclosure
	4	VIS-VIS-57775A40402M8	VIS00573	Silent-bloc
	0.5	ELE-CBL-250RD	ELE00610	Câble batterie HT 25 ² rd
	0.5	ELE-CBL-250BK	ELE00609	Câble batterie HT 25 ² bk
	1	ELE-ACC-SOULIER25M5	ELE00286	Soulier-oeillet 25 ² M5
	1	ELE-ACC-SOULIER25M8	ELE00288	Soulier-oeillet 25 ² M8
<i>Not included in the electrical box</i>				
#	Qty	Article	Barcode	Description
101	1	ELE-BTN-CBBI400	ELE00404	Coupe-circuit bipolaire 400A
101	1	ELE-BTN-CBBI400-LO	ELE00405	Circuit breaker lockout
1B1	1	<i>ELE-ALI-BAT143/180</i>	<i>ELE00344/347</i>	Battery 12V
1B2	1	<i>ELE-ALI-BAT143/180</i>	<i>ELE00344/347</i>	Battery 12V
6Q1	1	ELE-BTN-CBUNI250	ELE00407	Coupe-circuit unipolaire 250A
6Q1	1	ELE-BTN-CBUNI250-LO	ELE00408	Verrouillage CC unip. 250A



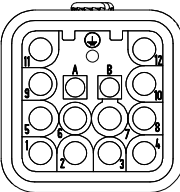
BOM

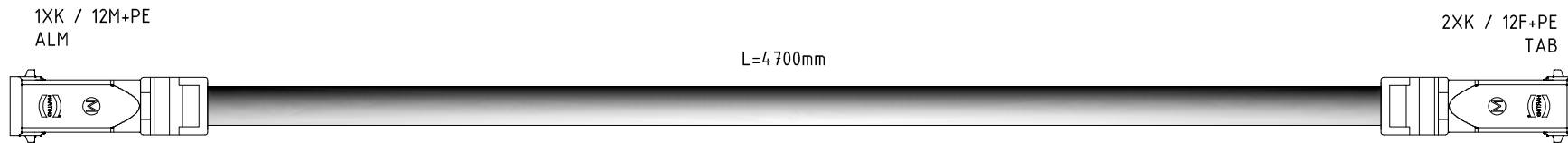
ALM006.D

TRAX
SCANIA until STAGE V

RCO
01.10.20

1-03

1XK	Connections overview				2XK	BOM			
	Pin	mark	wire size	color		Qty	Article	Barcode	Description
 HAN Q 12M+PE	1	24VK	1	black	2	ELE-CON-19200031440	ELE00909	HAN 3A hood top entry	
	2	24V15	1	black	1	ELE-CON-09120123001	ELE00836	HAN Q Insert 12M+PE	
	3	24VC	1	brown	1	ELE-CON-09120123101	ELE00837	HAN Q Insert 12F+PE	
	4	24VF	1,5	red	2	ELE-FSX-EMBOUT20M20	ELE01089	MW17 M20 connector	
	5	S34	0,5	grey	2	ELE-CON-09200009918	ELE00868	HAN 3A IP65 screw	
	6	RST1	0,5	grey	4,7m	ELE-FSX-GAINE20	ELE01272	MW17 polyamide conduit	
	7	c46	0,5	black					
	8	c47	0,5	black					
	9	XAR1	0,5	orange					
	10	XAR2	0,5	orange					
	11	XAD1	0,5	violet					
	12	XAD2	0,5	violet					
	PE	0V	1,5	white					



Article : ELE-FSX-FXK9.B
ELE02464



JUNCTION HARNESS

FXK9.B

.TRAX 1000

RCO
01.10.20

-01

A

B

C

D

E

F

G

H

I

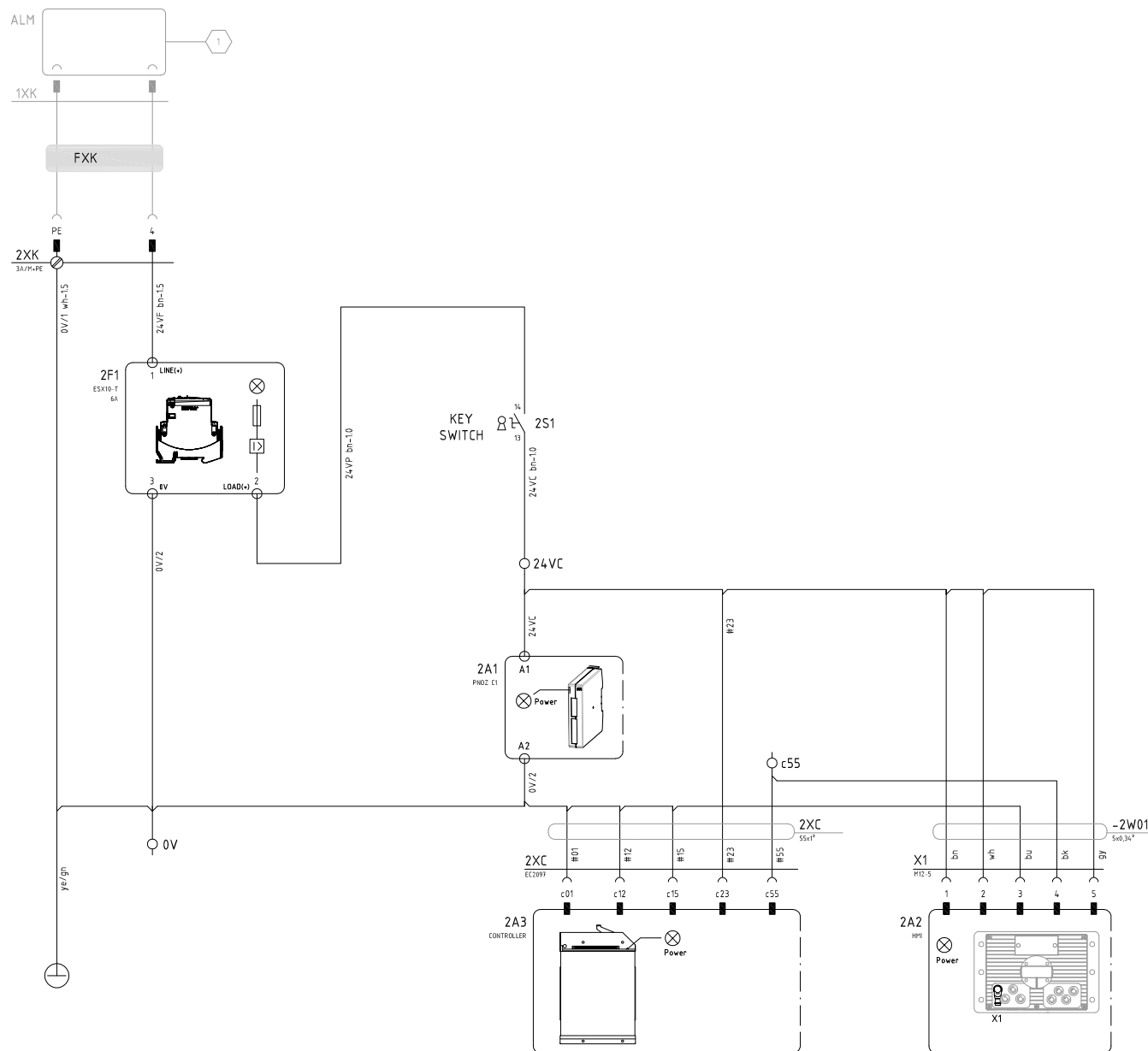
J

K

L

M

N



POWER SUPPLY

TAB025.1

CONTROL PANEL
KONKERORRCO
05.08.20

2-01

A

B

C

D

E

F

G

H

I

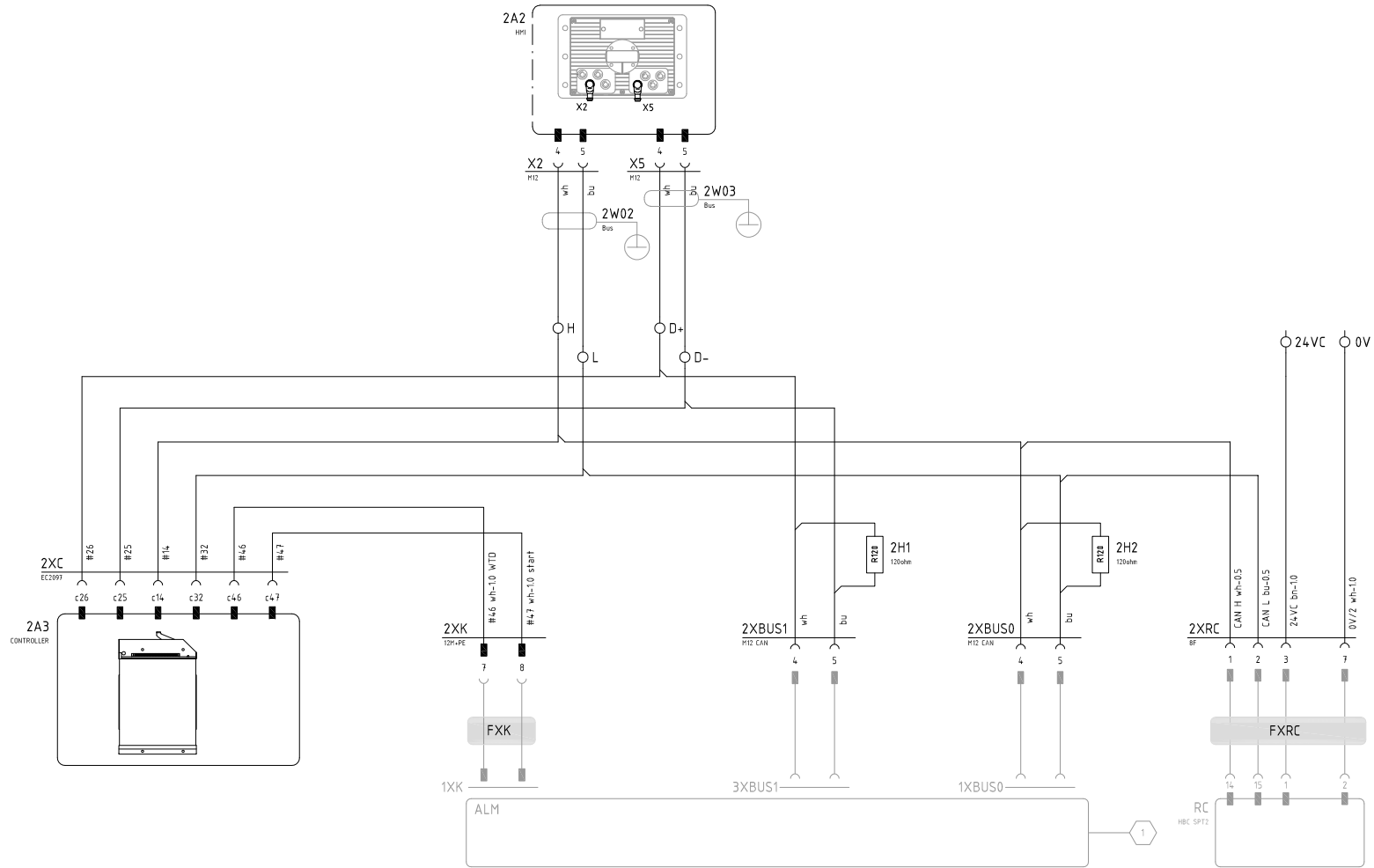
J

K

L

M

N



FIELD BUS
AND I/O

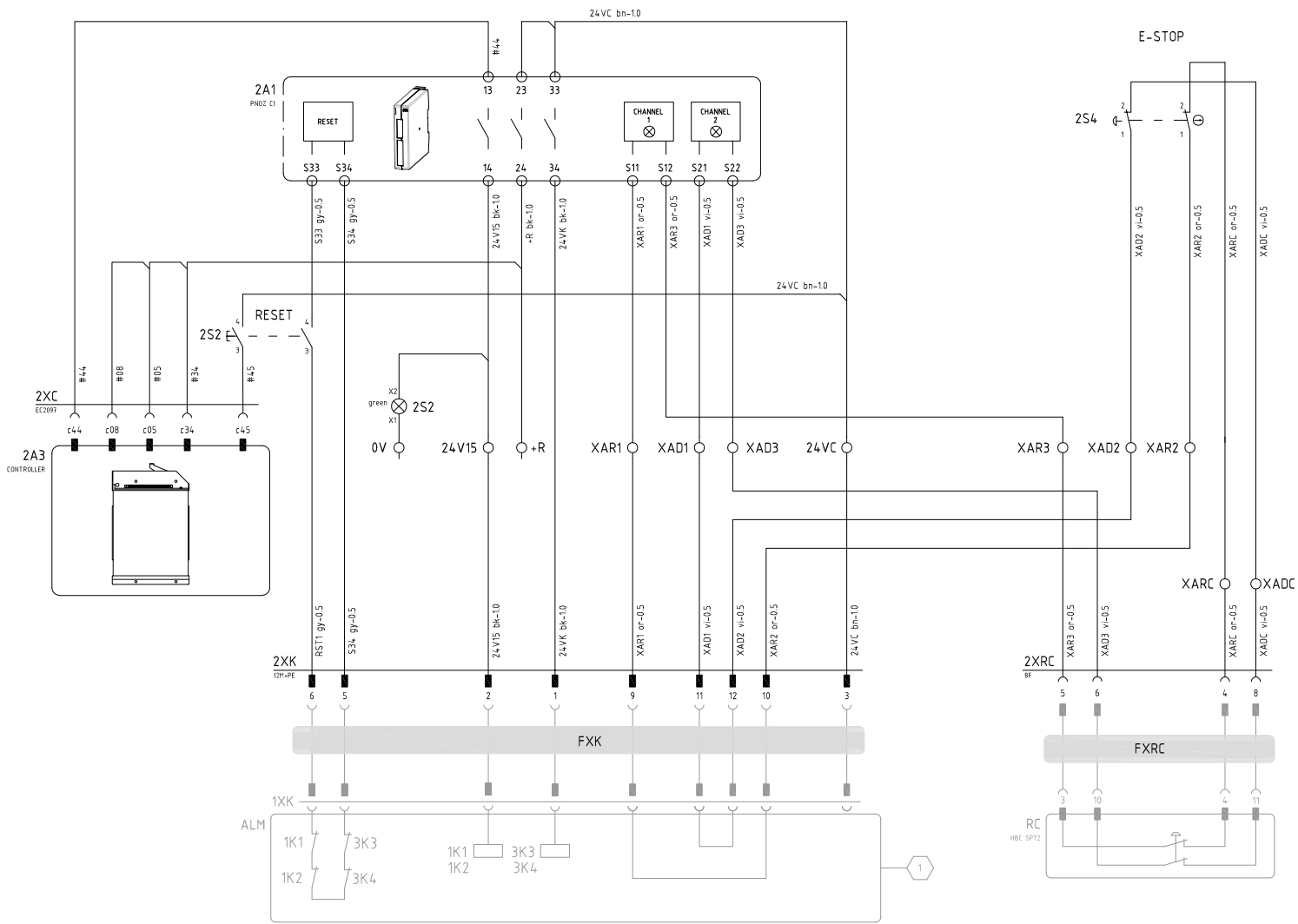
TAB025.1

CONTROL PANEL
KONKEROR

RCO

05.08.20

2-02

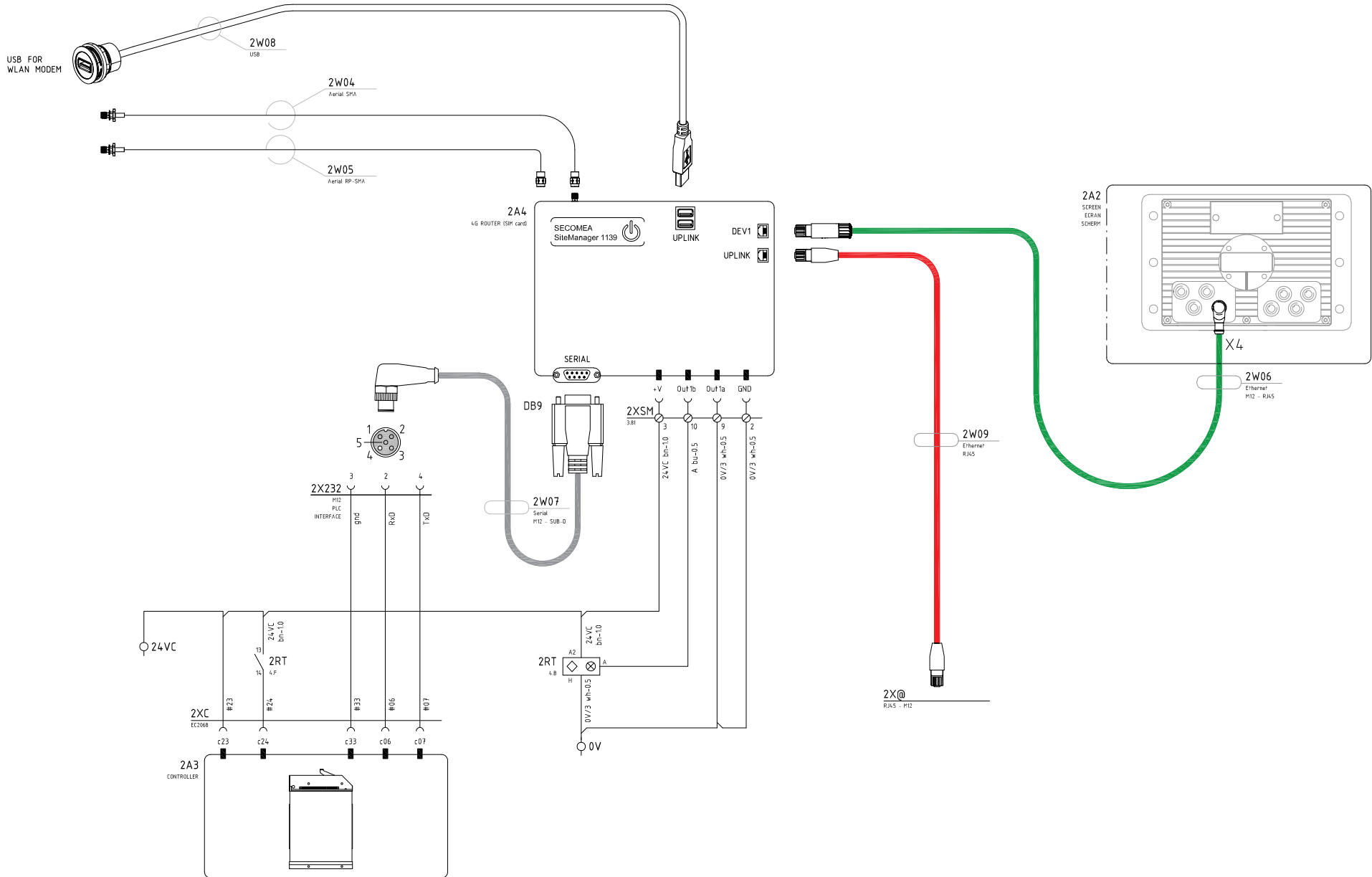


SAFETY RELAY

TAB025.1

CONTROL PANEL
KONKEROR

RCO
05.08.20
2-03



INTERFACE

TAB025.1

CONTROL PANEL
KONKEROR

RCO

05.08.20

2-04

Picking				
#	Qty	Article	Barcode	Description
2A1	1	ELE-REL-PNOZ-CA	ELE01569	Safety relay PILZ PNOZ-C1
2A2	1	ELE-LFP-CR9224	ELE02192	PLC display 7" Lefort-P
2A2	1	ELE-LFP-EC2110	ELE01451	Fastening PLC display 7" Lefort-P with sealing ring
2A3	1	ELE-LFP-CR9203	ELE01441	IFM PLC
2A4	1	ELE-LFP-SM1139-4G-EU	ELE02263	Remote connection interface SM1139-4G (SIM card), EU version
2F1	1	ELE-FUS-ESX10T-6	ELE01360	Electronical circuit breaker ESX10T-6A
2H1	1	ELE-ACC-BOR4P-R1200HM	ELE02292	Resistor on terminal block, 120ohm
2H2	1	ELE-ACC-BOR4P-R1200HM	ELE02292	Resistor on terminal block, 120ohm
2RT	1	ELE-REL-DEK24V-T	ELE01512	Relay 6mm 24V 1NO 1NC + AUTO/MANU/OFF function
2S1	1	ELE-BTN-XB4BG21	ELE00478	Keypad selector 2 pos. snty put, key 455
2S2	1	ELE-BTN-XB4B33B5	ELE00482	Illuminated push button, green led, Ø22, 1NO+1NC 24 VDC
2S2	1	ELE-BTN-ZBE101	ELE00550	Single contact block,1 NO
2S4	1	ELE-BTN-XB4BS542	ELE00481	Ø22,5 emergency-stop switch actuator 2NC
2S4	1	ELE-BTN-ZBE102	ELE00551	Single contact block, 1NC
2S4	1	ELE-BTN-ZBY9121	ELE01980	Ø60 Label Emergency Stop
2X232	1	ELE-CON-M12RAILDIN	ELE01025	M12 PLC Interface on rail
2XBUS0	1	ELE-CON-M12FM16-CAN	ELE01014	M12 female CANopen connector, M16 thread
2XBUS0	1	ELE-ACC-CEM16M	ELE00094	Lock-nut M16x1.5mm Brass
2XBUS0	1	STR-ELE-D01537	STR34662	Adapter HAN 3A -M16
2XBUS1	1	ELE-CON-M12FM16-CAN	ELE01014	M12 female CANopen connector, M16 thread
2XBUS1	1	ELE-ACC-CEM16M	ELE00094	Lock-nut M16x1.5mm Brass
2XBUS1	1	STR-ELE-D01537	STR34662	Adapter HAN 3A -M16
2XC	1	ELE-LFP-EC2097	ELE01450	Connector AMP 55-pole
2XK	1	ELE-CON-09200030301	ELE00869	HAN 3A housing straight
2XK	1	ELE-CON-09120123001	ELE00836	HAN Q Insert 12M + PE
2XK	1	ELE-CON-09200009918	ELE00868	HAN 3A IP65 screw
2XRC	1	ELE-CON-09200030301	ELE00869	HAN 3A housing straight
2XRC	1	ELE-CON-09360083101	ELE00896	HAN D Insert 8F
2XRC	1	ELE-CON-09200009918	ELE00868	HAN 3A IP65 screw
2XSM	1	ELE-CON-TS3.81-10	ELE01069	Connector 3.81mm 10 pole for Modem
2W01	1	ELE-CBL-FC200S-5	ELE00688	Moulded shielded cable female angled - 2m 5-ways
2W02	1	ELE-CBL-MC-100S-CAN	ELE00706	CAN moulded cable male angled - 1m 5-ways
2W03	1	ELE-CBL-MC-100S-CAN	ELE00706	CAN moulded cable male angled - 1m 5-ways
2W04	1	ELE-CBL-ANT-MSMA500ESMA	ELE00660	Aerial extension SMA 500mm
2W05	1	ELE-CBL-MRPSMA500FRPSMA	ELE02046	Aerial extension RP-SMA 500mm
2W06	1	ELE-CBL-MC150SRJ45/CAT5E	ELE00714	Moulded cable ethernet male angled 1.5m - RJ45/Cat5e
2W07	1	ELE-CBL-MC20D89F	ELE02109	Cable MC - 0.2m - SUB-D 9ways (serial)
2W08	1	ELE-CBL-USBM150EUSBF	ELE00797	har-port USB 2.0 A-A, PFT 0,5m
2W09	1	ELE-CBL-RJ45200RJ45/CAT5E	ELE00785	Cable 2m RJ45/Cat5e
2X@	1	ELE-CON-09452151108	ELE00898	HAN RJ45 3A panel feed through 90° angled metal

Not illustrated				
	1	ELE-COF-380300210/2020	ELE02450	INOX electrical box 380x300x210mm pre-drilled 2020
	1	ELE-COF-ATTACHES380300210	ELE00815	Wall mounting bracket kit for electrical box 380x300x210mm
	1	ELE-ACC-BOR16P-BK	ELE02282	Springed terminal block 16-ways 2.5 ²
	1	ELE-ACC-FLABOR16P	ELE02285	Partitionning flange for terminal block 16-ways
	10	ELE-ACC-BORPT4P	ELE02277	PUSH IN springed terminal block 4-ways 2.5 ²
	4	ELE-ACC-BOREXTTS35	ELE00087	Retaining flange for mini terminal block TS35
	10	ELE-ACC-FLABORPT4P	ELE02278	Partitionning flange for PUSH-IN terminal block
options				
2A4	1	ELE-LFP-SM1139-4G-US	ELE02262	Remote connection interface SM1139-4G (SIM card) US version
2A4	1	ELE-LFP-SM1149	ELE01948	Remote connection interface SM1149 (Wi-Fi)



PARTS LIST

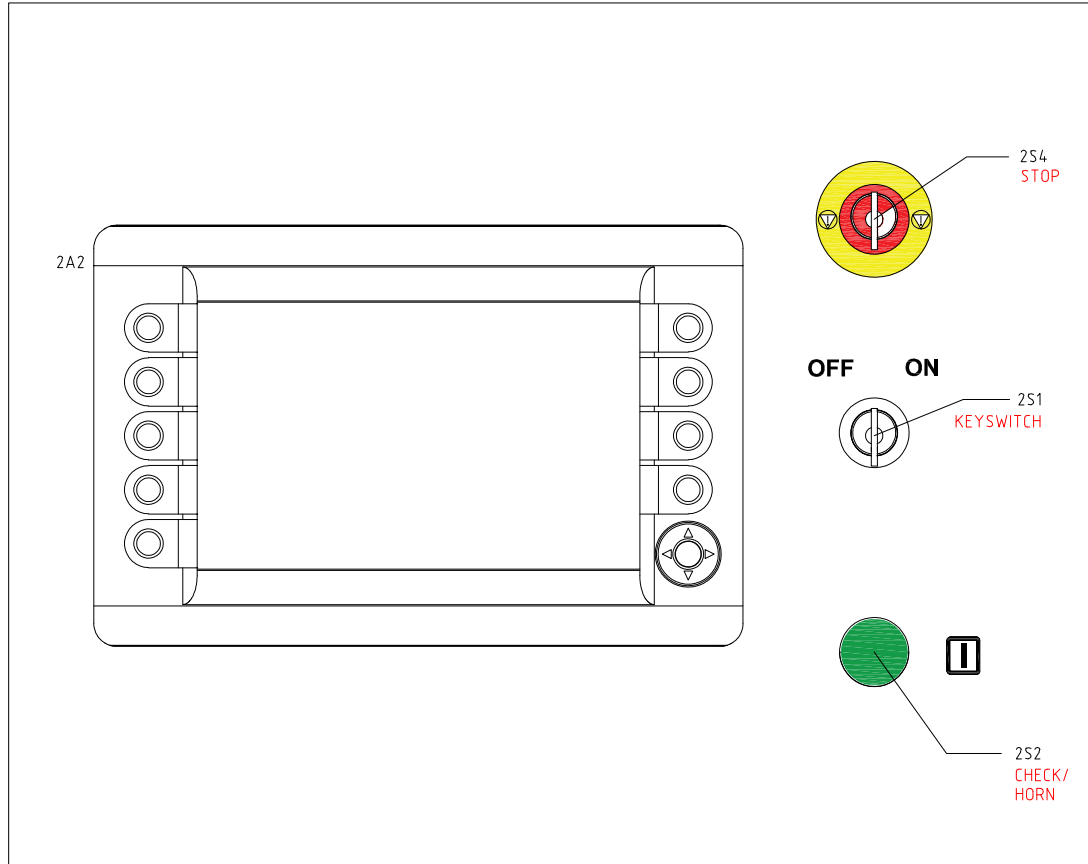
TAB025.1

CONTROL PANEL
KONKEROR

RCO

05.08.20

2-05



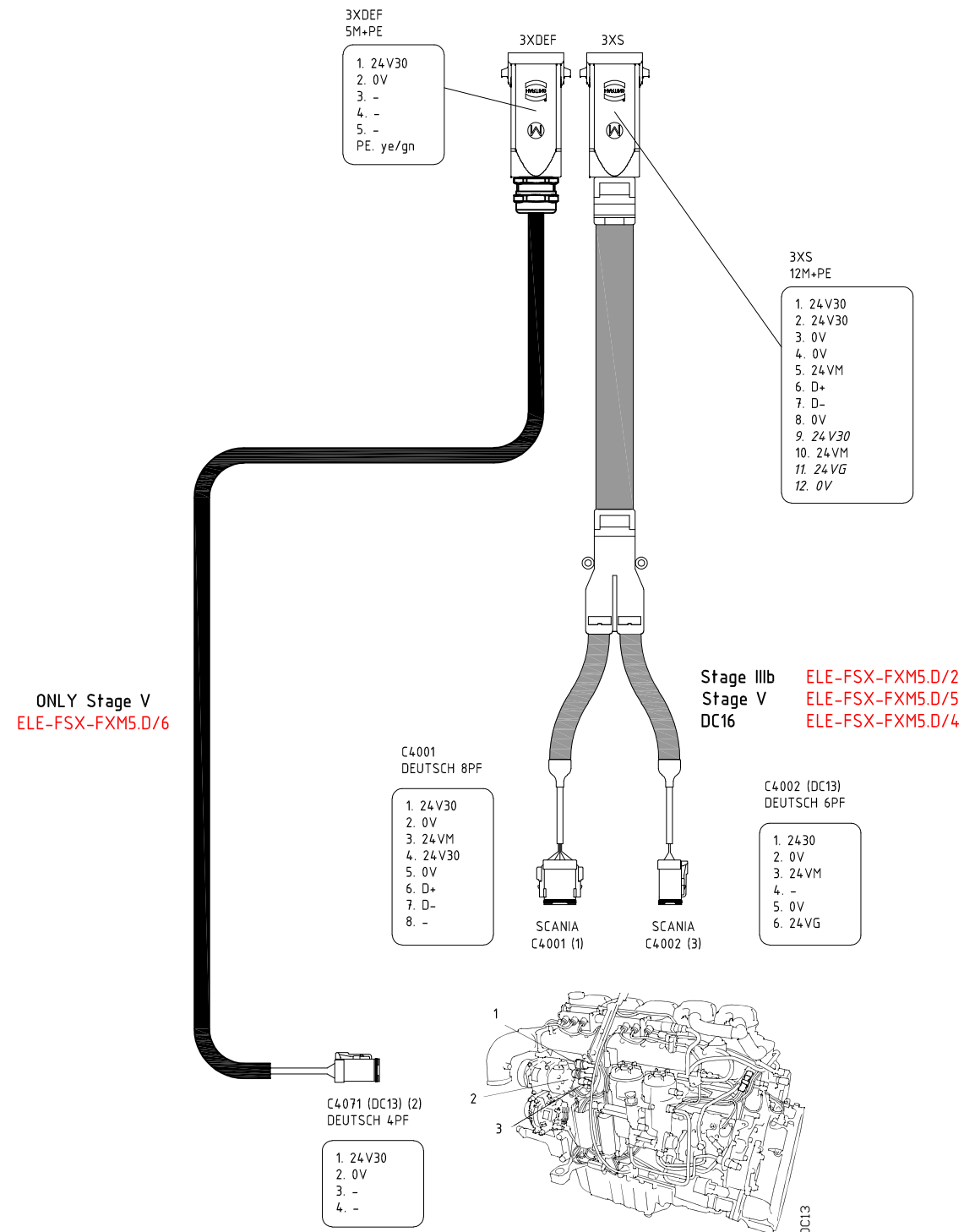
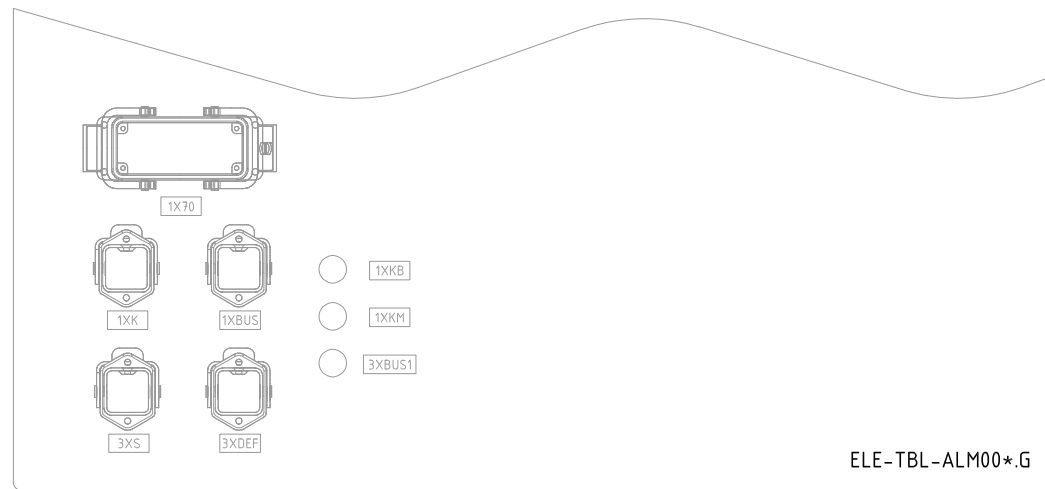
DISPOSITION

TAB025.1

CONTROL PANEL

RCO
05.08.20

2-06

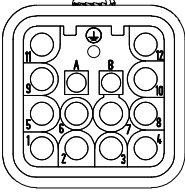
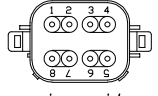
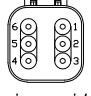


ENGINE INTERFACE HARNESS OVERVIEW

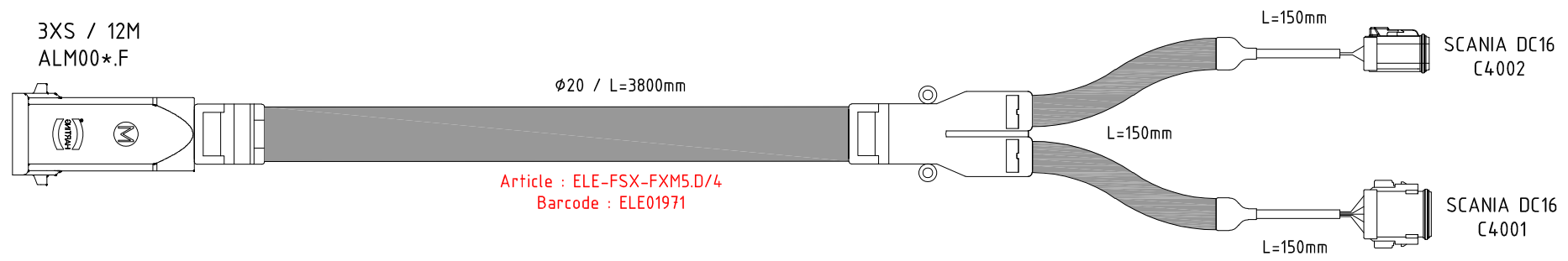
FXM5.D
SCANIA ALL ENGINES
TAB025.I>ALM00*.G

RCO
2020

-01

3XS	Connections overview						C4001	C4002	Picking			
	3XS	mark	wire size	color	C4001	C4002			Qty	Artcile	Barcode	Description
 HAN Q 12M+PE	1	24V30	2.5	red	1	-	 wires side	 wires side	1	ELE-CON-19200031440	ELE00909	HAN 3A hood top entry
	2	24V30	2.5	red	4	-			1	ELE-CON-09120123001	ELE00836	Han Q insert 12M
	3	0V	2.5	blue	2	-	1	ELE-CON-09200009918	ELE00868	HAN 3A IP65 screw		
	4	0V	2.5	blue	5	-	3.8m	ELE-FSX-GAINE20	ELE01272	MW17 polyamide conduit		
	5	24VM	1	brown	3	-	0.3m	ELE-FSX-GAINE16	ELE01271	MW12 polyamide conduit		
	6	D+	0.34	white	6	-	1	ELE-FSX-EMBOUT20M20	ELE01089	MW17 M20 connector		
	7	D-	0.34	black	7	-	1	ELE-CON-DEUTSCH8PF	ELE00985	DT06-8SA-CE10 for 8F S16 SCANIA C4001		
	8	0V	2.5	black	-	2	1	ELE-CON-DETROMP8PF	ELE00974	W8S-P012 Wedgelock for 8F /w seal SCANIA C4001		
	9	-	-	-	-	-	5	ELE-CON-DEUTSCH-SEAL20	ELE00975	Sealing plug size 20		
	10	24VM	1.5	brown	-	1	1	ELE-CON-DEUTSCH6PF	ELE00984	DT06-6S-CE06 for 6F S16 SCANIA C4002		
	11	-	-	-	-	-	1	ELE-CON-DETROMP6PF	ELE00973	W6S-P012 Wedgelock for 6F /w seal SCANIA C4002		
	12	-	-	-	-	-	1	ELE-FSX-Y20	ELE01284	Junction Y20 MW17/MW12/MW12		
									2	ELE-FSX-EXT16	ELE01093	End flex housing MW12

Open cavities provide pathways for contaminants to enter the connectors. To ensure the integrity of the seal, any unused cavity must be filled with the appropriate size sealing plug.



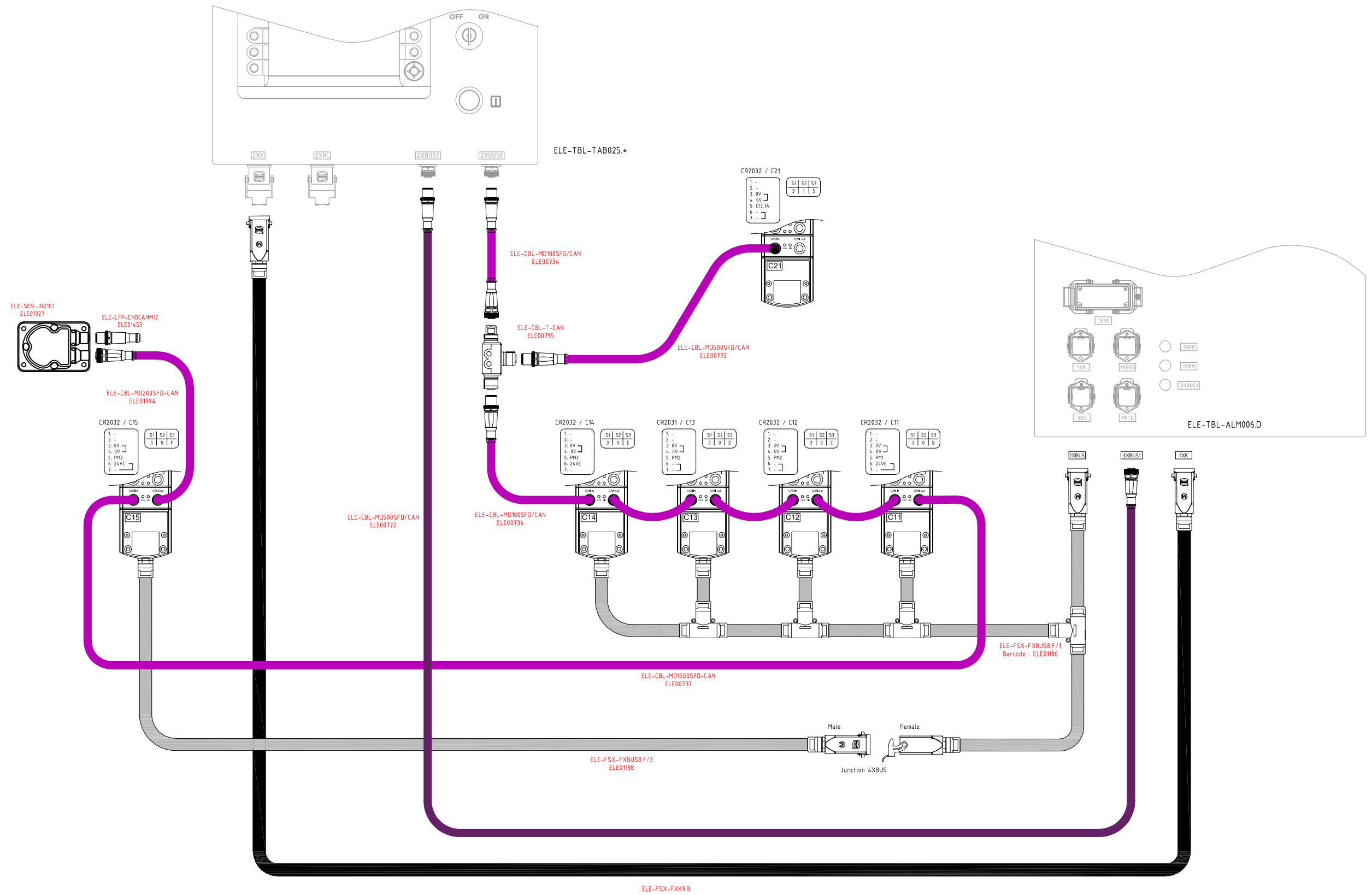
ENGINE
MOTOR HARNESS

FXM5.D/4

SCANIA DC16 SINGLE SPEED
CONKEROR / MOBILE

RCO
02.01.18

-01



FIELD BUS OVERVIEW

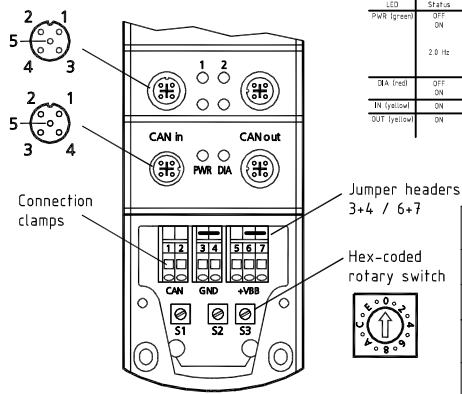
FXBUS8.F

.TRAX 1000

RCO
2020

4-00

CR2031 / CR2032



LED	Status	Description
PWR (green)	OFF	No supply voltage
	ON	Module in standby mode
2.0 Hz		CANopen status - PREOPERATIONAL/OPERATIONAL
		outputs - OFF
		module active
		CANopen status - OPERATIONAL
		outputs are stopped
OK (red)	OFF	communication error
	ON	communication restored
IN (yellow)	ON	output switches
OUT (yellow)	ON	binary output - output switched (ON)
		analog output - Pwr preset value + 1
		current preset value - 20

C11		
S1	S2	S3
3	0	B

C12		
S1	S2	S3
3	0	C

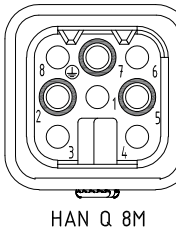
C13		
S1	S2	S3
3	0	D

C14		
S1	S2	S3
3	0	E

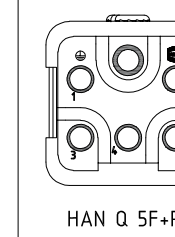
Connections overview

1XBUS	C11	C12	C13	C14	mark	size	color	4XBUS
1	3-4	3-4	3-4	3-4	0V	1.5	blue	PE
2								
3	6-7			6	24VE	0.5	red	3
4	1				CAN H	0.34	white	
5	2				CAN L	0.34	black	
6	5				PM1	1.5	red	
7		5	5		PM2	1.5	brown	
8				5	PM3	1.5	black	1

1XBUS

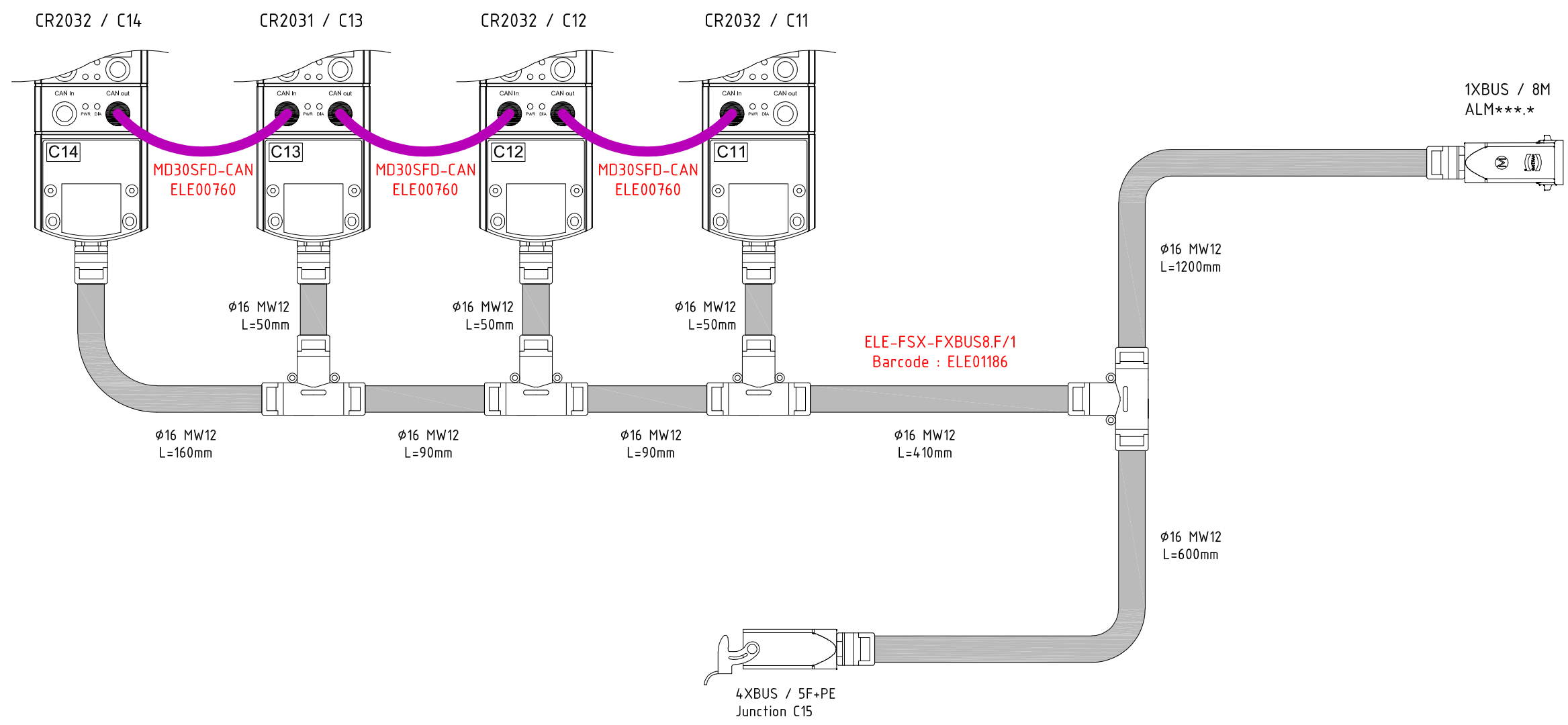


4XBUS



Picking ELE-FSX-FXBUS8.F/1 - ELE01186

Qty	Article	Barcode	Description
3	ELE-CBL-MD30SFD-CAN	ELE00760	CAN moulded cable ms - 0.3m - fs
3	ELE-LFP-CR2032	ELE01439	CAN BUS Module CR2032
1	ELE-LFP-CR2031	ELE01438	CAN BUS Module CR2031
6	ELE-FSX-EMBOUT16M16	ELE01087	DN12 M16 connector
2,6m	ELE-FSX-GAINE16	ELE01271	DN12 polyamide conduit
4	ELE-FSX-T16	ELE01280	NW12 T piece
1	ELE-CON-19200031440	ELE00909	HAN 3A hood top entry
1	ELE-CON-09360083001	ELE00895	HAN D Insert 8M
1	ELE-CON-19200031750	ELE00911	HAN 3A lockable hood top entry
1	ELE-CON-09120053101	ELE00835	HAN Q Insert 5F + PE
2	ELE-CON-09200009918	ELE00868	HAN 3A IP65 screw



BUS I/O HARNESS
C11 - C12 - C13 - C14

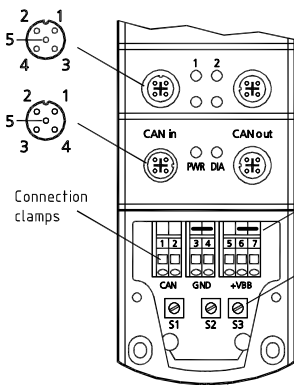
FXBUS8.F/1

.SB CONKEROR / MOBILE

RCO
27.08.14

-01

CR2031 / CR2032



LED	Status	Description
PWR (green)	OFF ON	no supply voltage module in stand-by mode
20 Hz	ON	CANopen status : PROPERATIONAL/PREPARED outputs : OFF module active
	ON	CANopen status : OPERATIONAL outputs : ON outputs are prepared
DIA (red)	OFF ON	communication OK communication disturbed
IN (yellow)	ON	output switched
OUT (yellow)	ON	analog output is output switched (ON) analogue output = Pwr1 preset value * 1 current preset value = 20

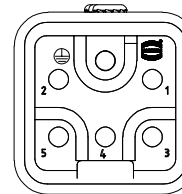
Connection clamps
Jumper headers 3+4 / 6+7
Hex-coded rotary switch

C15		
S1	S2	S3
3	0	F

Connections overview

C15	mark	w.size	color	4XBUS
5	PM3	1.5	black	1
				2
6-7	24VE	0.5	red	3
				4
				5
3-4	0V	1.5	blue	PE

4XBUS

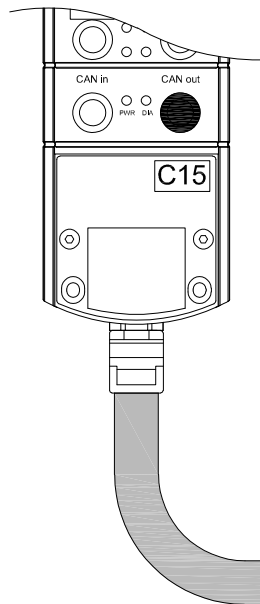


HAN Q 5M+PE

Picking

Qty	Article	Barcode	Description
1	ELE-LFP-CR2032	ELE01439	CAN BUS Module CR2032
2	ELE-FSX-EMBOUT16M16	ELE01087	DN12 M16 connector
1	ELE-ACC-ADAPM20M16	ELE00032	M20-M16 reducer, Brass
13m	ELE-FSX-GAINE16	ELE01271	DN12 polyamide conduit
1	ELE-CON-19200031440	ELE00909	HAN 3A hood top entry
1	ELE-CON-09120053001	ELE00834	HAN Q Insert 5M + PE
1	ELE-CON-09200009918	ELE00868	HAN 3A IP65 screw
1	ELE-LFP-ENDCANM12	ELE01453	CAN Module End Resistor M12 male
1	ELE-CBL-BCHM12-M	ELE01987	M12 male dust cap

CR2032 / C15



Ø16 MW12 / L=13000mm

4XBUS / 5M+PE
Junction

ELE-FSX-FXBUS8.F/3 (7m)
Barcode : ELE01188



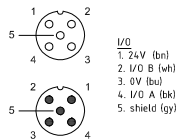
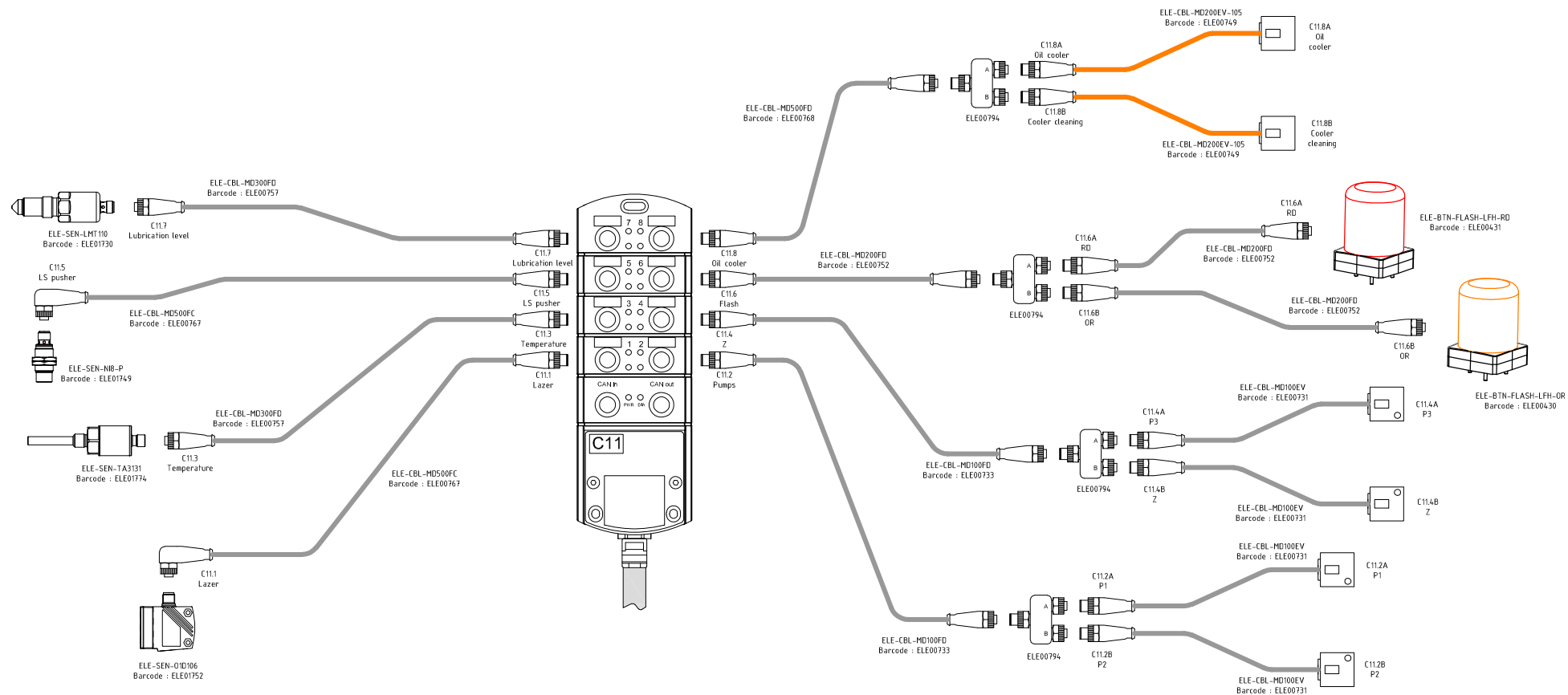
BOX I/O HARNESS
C15

FXBUS8.F/3

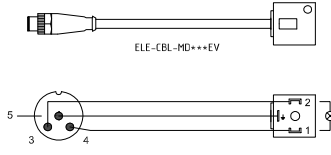
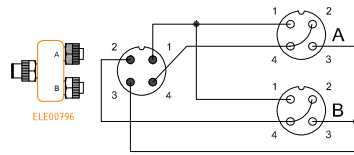
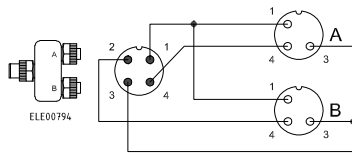
.SB CONKEROR / MOBILE 900

RCO
27.08.14

-01



CAN
 1. 24V (rd)
 2. 0V (bk)
 3. CAN H (wh)
 4. CAN L (bl)

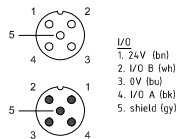
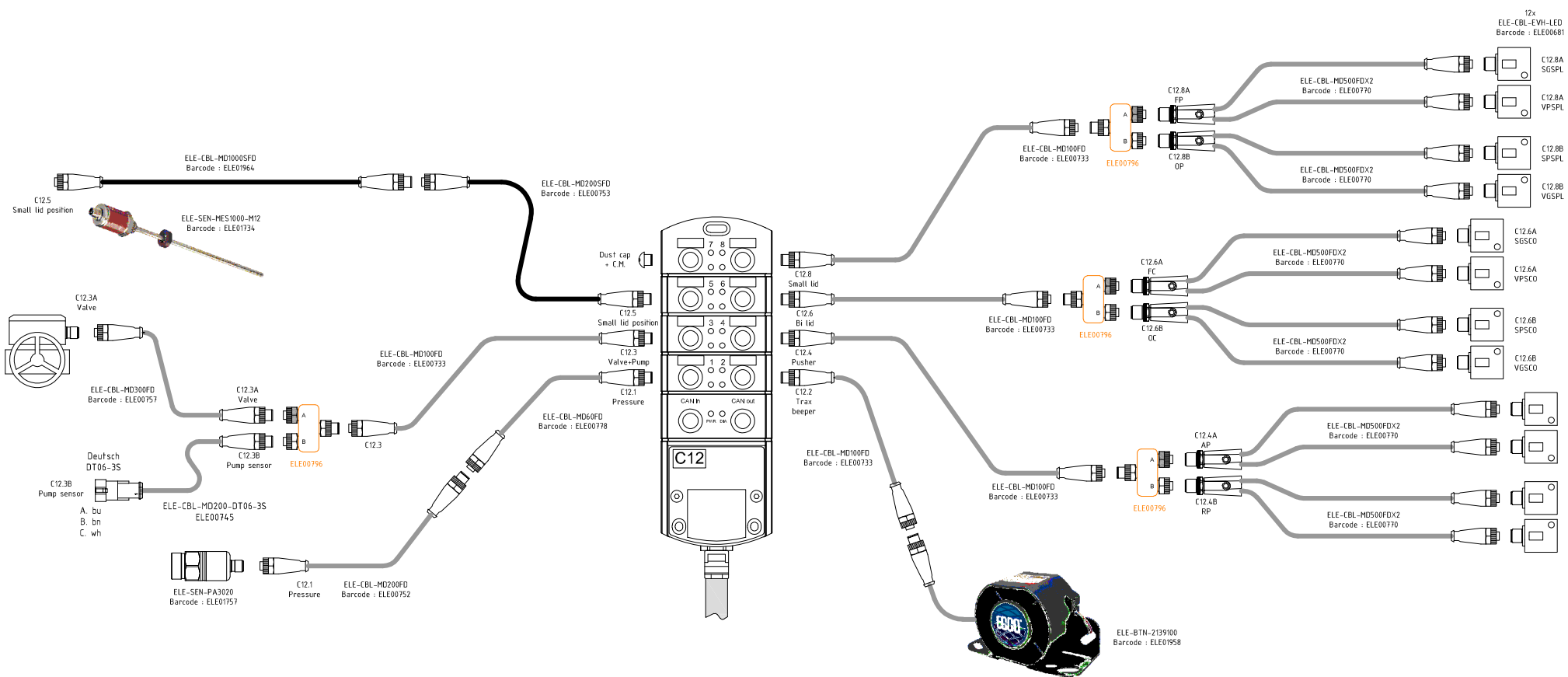


I/O CONNECTIONS

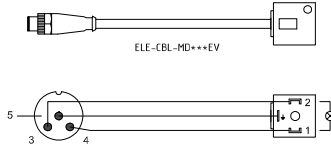
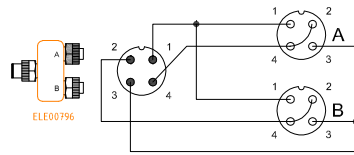
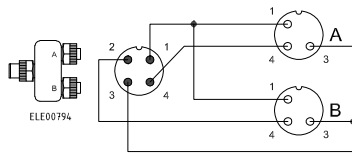
C11

CONKEROR/MOBILE 700/900
 SB770/1000A

RCO
 21.01.16
 4-01



CAN
 1. 24V (lbn)
 2. I/O B (lwh)
 3. 0V (lbu)
 4. I/O A (lbk)
 5. shield (fy)

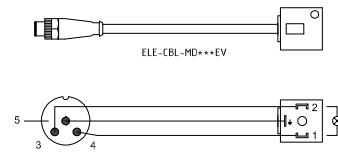
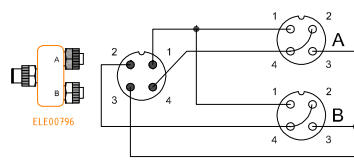
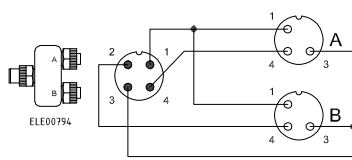
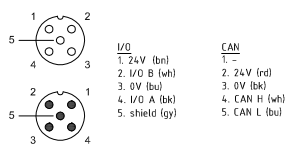
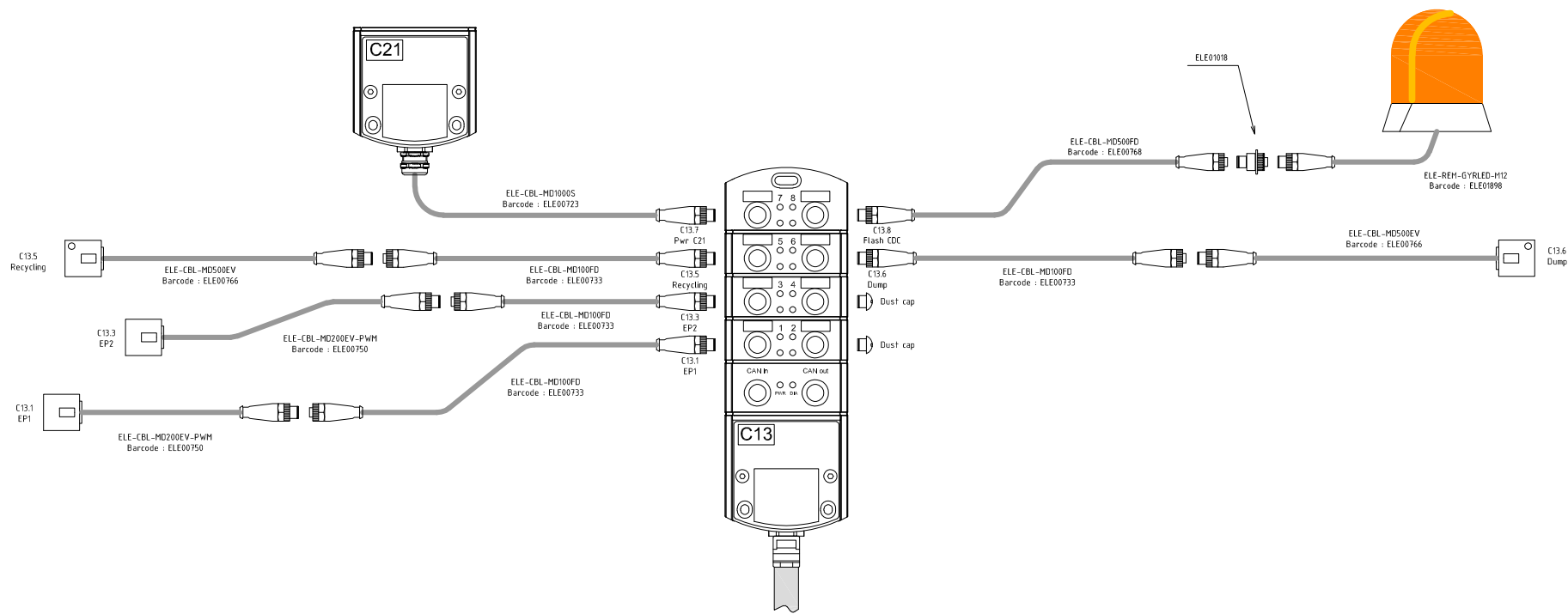


I/O CONNECTIONS

C12

CONKEROR/MOBILE 900/1000 - SB1000AS/C
 A4VSO+A20VF

RCO
 14.09.17
 4-02

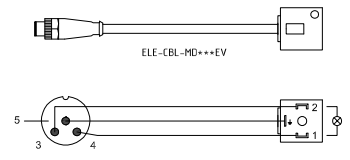
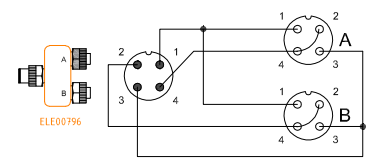
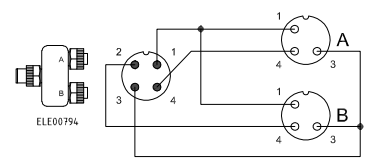
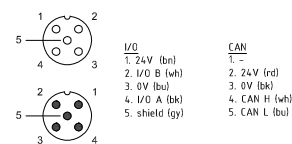
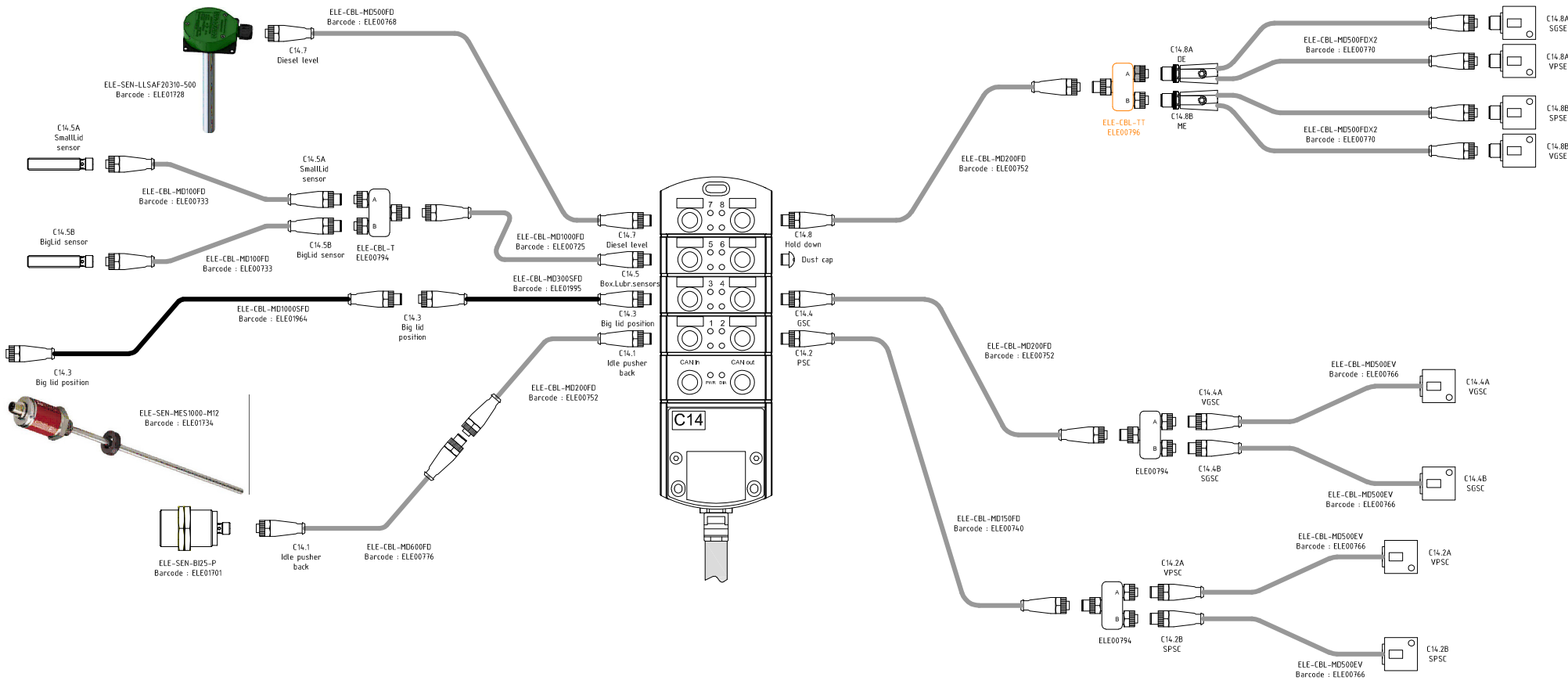


I/O CONNECTIONS

C13

TRAX(c) 900
SB770/1000A C

RCO
06.12.16
4-03

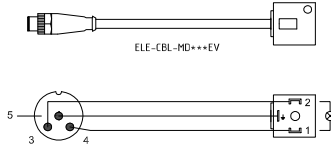
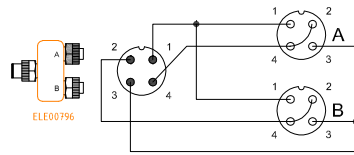
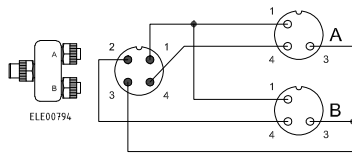
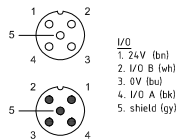
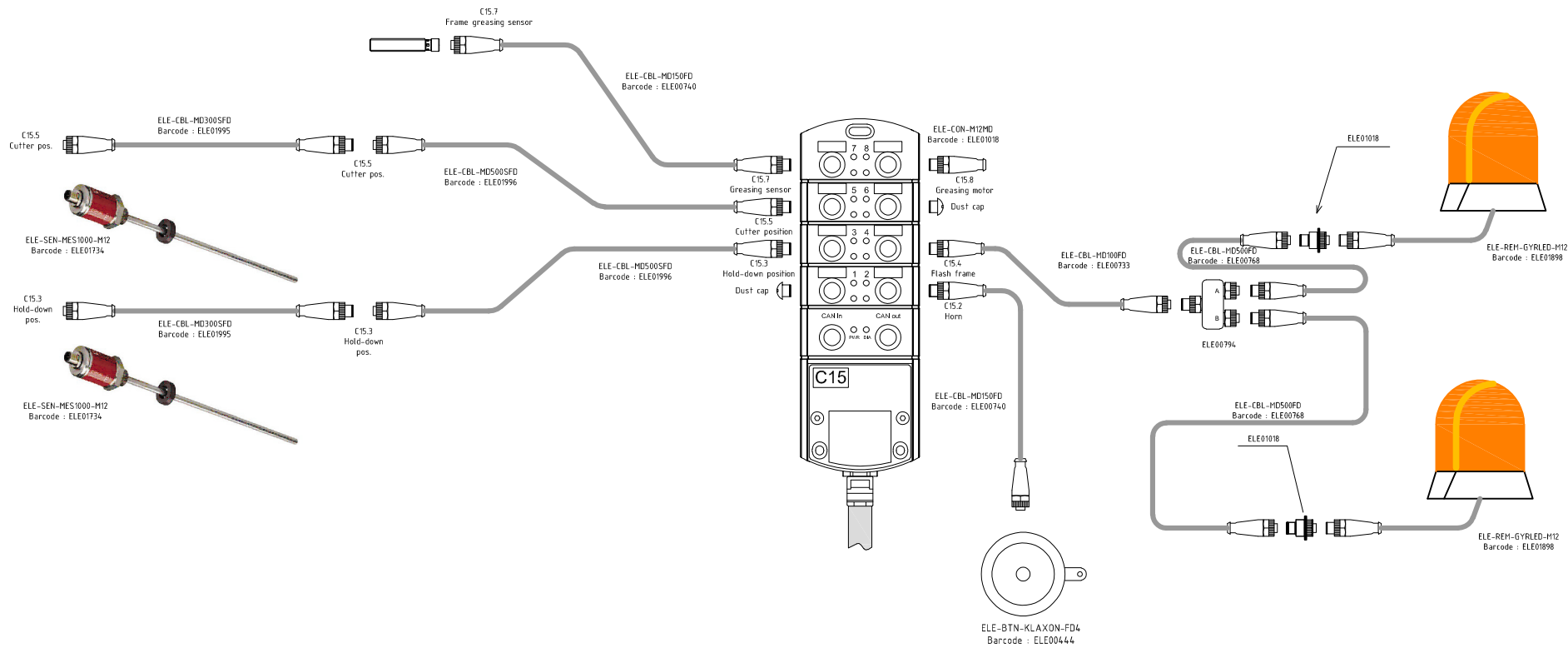


I/O CONNECTIONS

C14

Trax 900

RCO
06.03.17
4-04



I/O CONNECTIONS

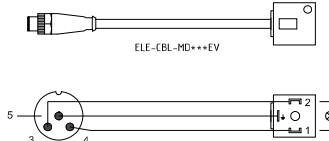
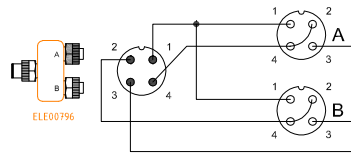
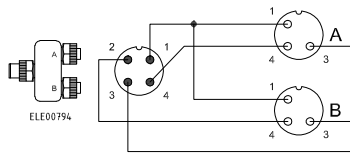
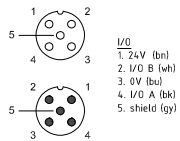
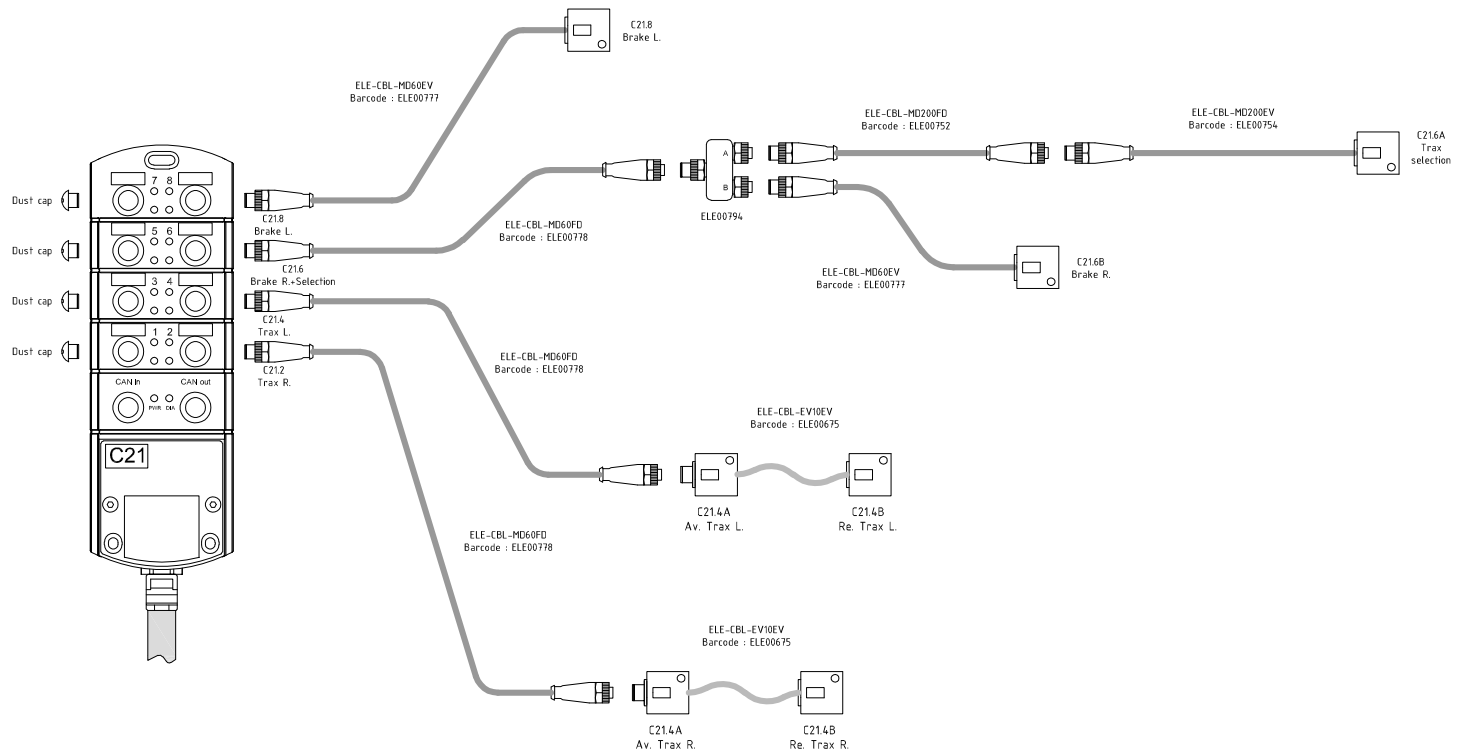
C15

TRAX 900

RCO

14.09.17

4-05



I/O CONNECTIONS

C21

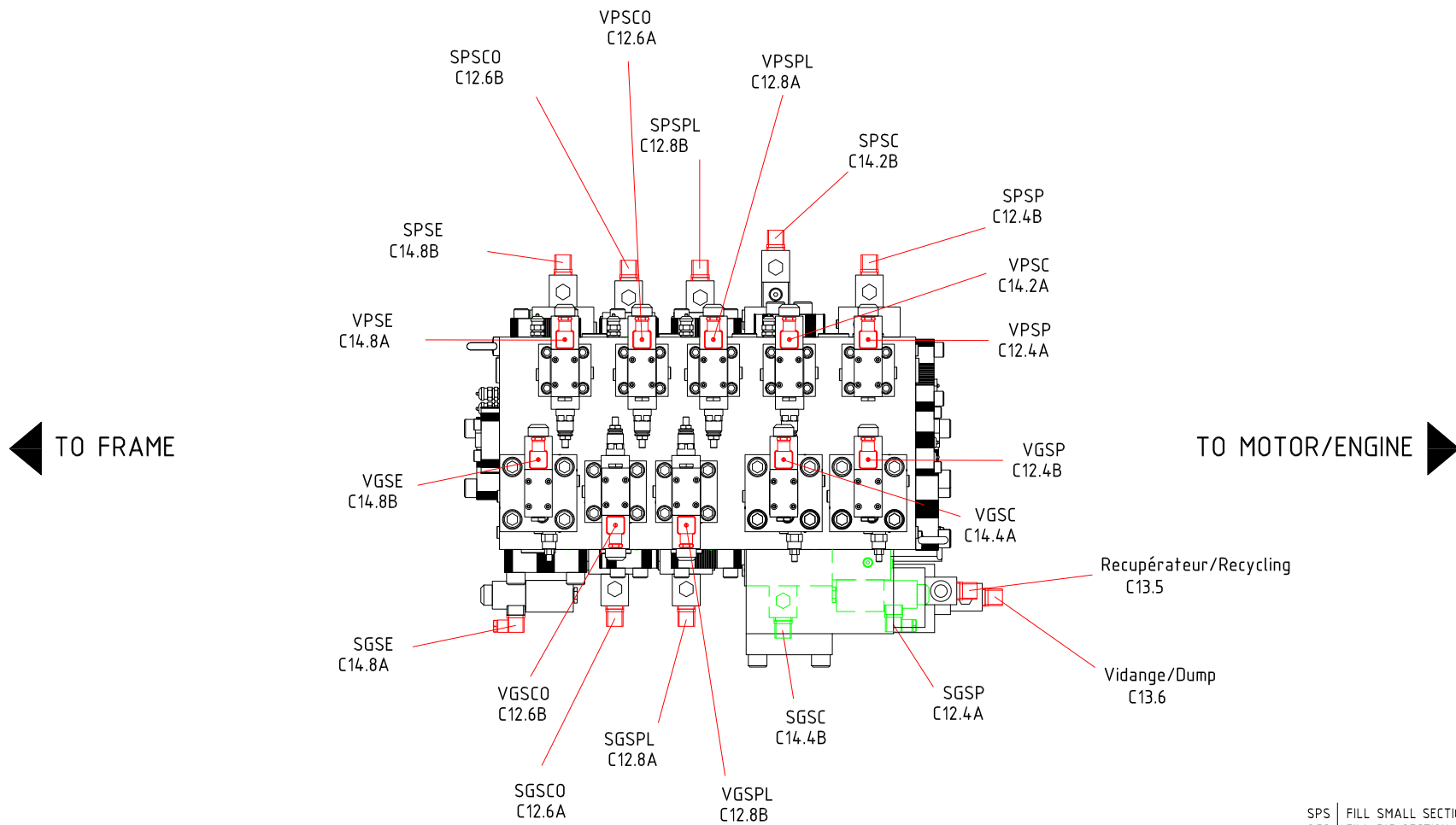
TRAX 900S

RCO

25.11.16

4-06

MANIFOLD 1500L/min
Upper view



SPS	FILL SMALL SECTION	SELECTION PETITE SECTION
SGS	FILL BIG SECTION	SELECTION GRANDE SECTION
VPS	EMPTY SMALL SECTION	VIDANGE PETITE SECTION
VGS	EMPTY BIG SECTION	VIDANGE GRANDE SECTION
P	PUSHER	POUSSEUR
C	SHEAR	COUPE
PL	SMALL LID	PETIT PLATEAU
CO	BIG LID	GRAND PLATEAU
E	HOLD DOWN	ECRASEUR



EN	MAIN MANIFOLD
FR	BLOC HYDRAULIQUE
NL	HYDRAULIEK BLOK
DE	HYDRAULISCHE BLOK

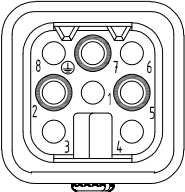
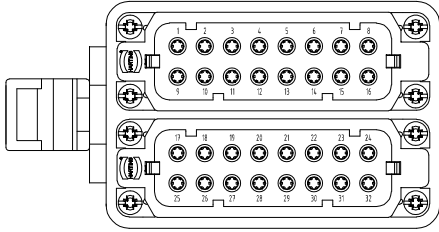
BHY002.H

.CONKEROR/MOBILE 900A
SB 770/1000A

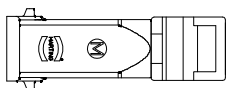
RCO

06.12.16

4-06

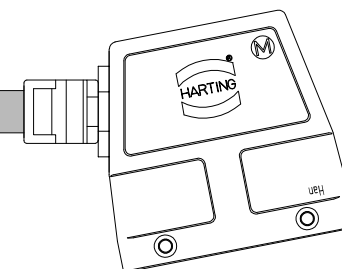
2XRC		Connections overview				XRC		Connections overview			Picking			
 HAN D 8M		Pin	mark	wire size	color			Pin	mark	color	Qty	Article	Barcode	Description
		1	CAN H	0.34	white			14	CAN H	white	1	ELE-CON-19200031440	ELE00909	HAN 3A hood top entry
		2	CAN L	0.34	black			15	CAN L	black	1	ELE-CON-09360083101	ELE00896	HAN D insert 8F
		3	24VC	1	red			1	24VC	red	2	ELE-CON-EMBOUT20M20	ELE01089	MW17 M20 connector
		4	XARC	0.5	orange			4	XARC	orange	1	ELE-ACC-ADAPM32M20	ELE00037	Adaptor M32-M20, Brass
		5	XAR3	0.5	orange			3	XAR3	orange	1	ELE-CON-19200320527	ELE00913	Han A Top Side Entry M32
		6	XAD3	0.5	purple			10	XAD3	purple	1	ELE-CON-09200162812	ELE00875	Han A 16pos. [1-16] F Insert Screw
		7	0V	1	blue			2	0V	blue	1	ELE-CON-09200162813	ELE00876	Han A 16pos. [17-32] F Insert Screw
		8	XADC	0.5	grey			11	XADC	grey	8.5m	ELE-FSX-GAINE20	ELE01272	MW17 polyamide conduit
										8.5m	ELE-CBL-BUSUNIV	ELE00668	Bus Cable special LEFORT	
										8.5m	ELE-CBL-050R	ELE00574	wire VTBst 0,5 ² orange	

2XRC / 8M
TAB025



∅20 / L=8500mm

Article : ELE-FSX-FXRC10.A
Barcode : ELE02173



XRC / 32F
Remote control



REMOTE CONTROL HARNESS

FXRC10.A

.TRAX CONKEROR
HBC Spectrum2 / FSE727

RCO
24.04.18

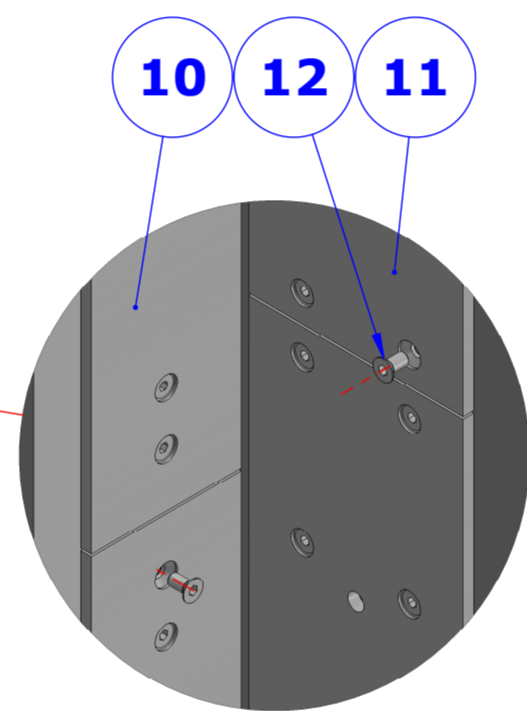
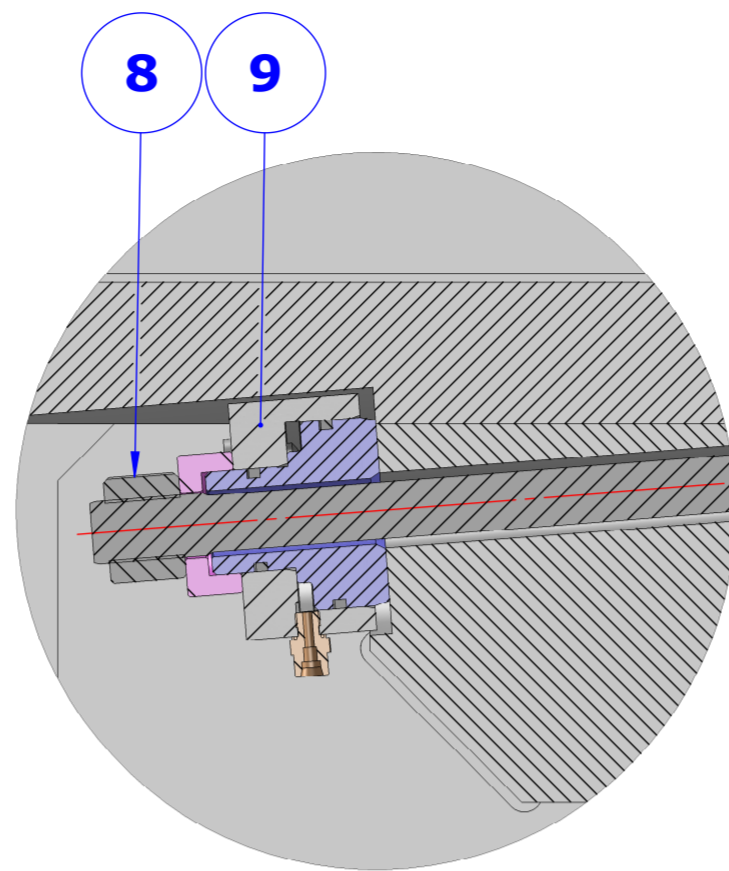
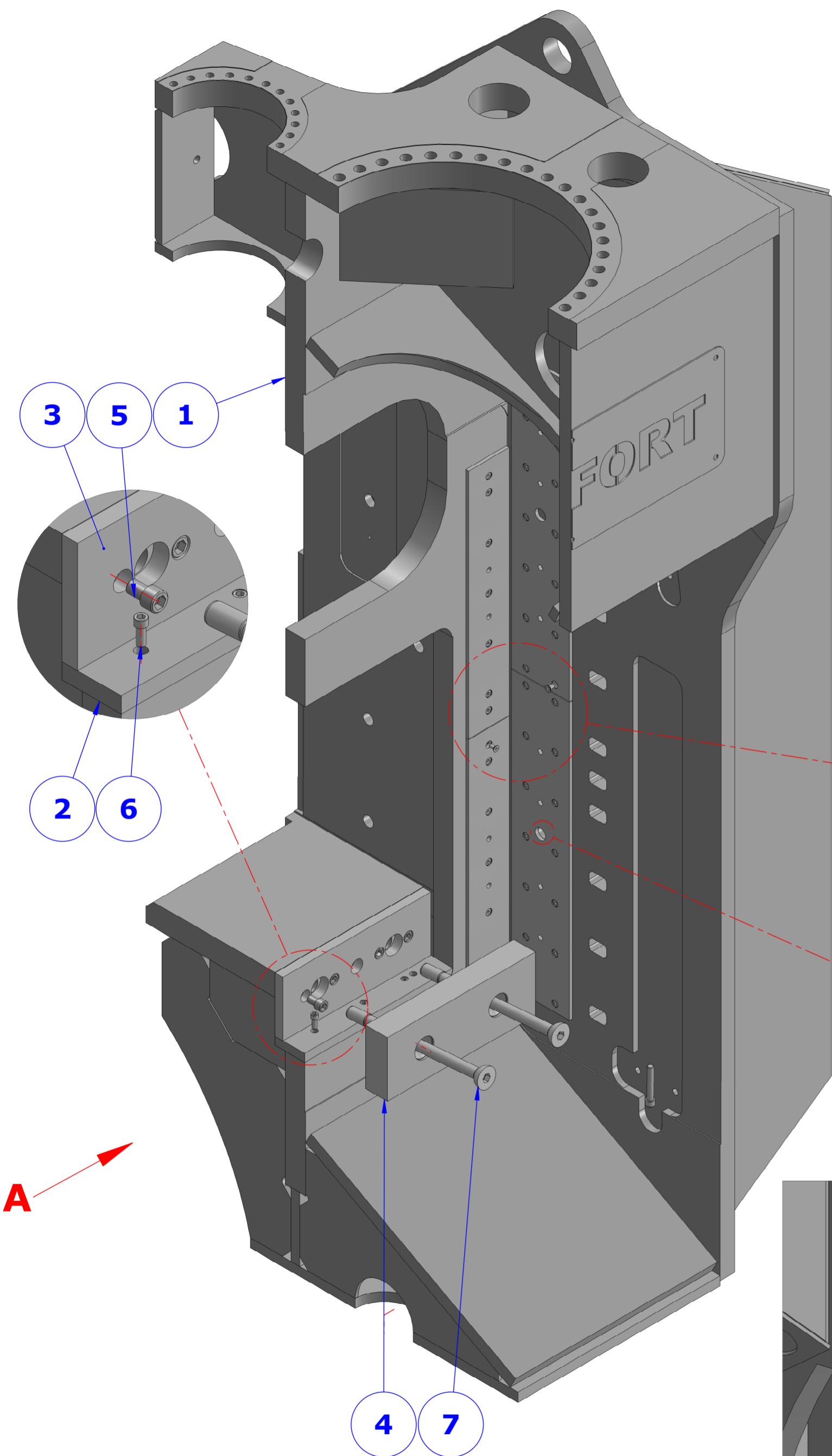
-01

Chapter I

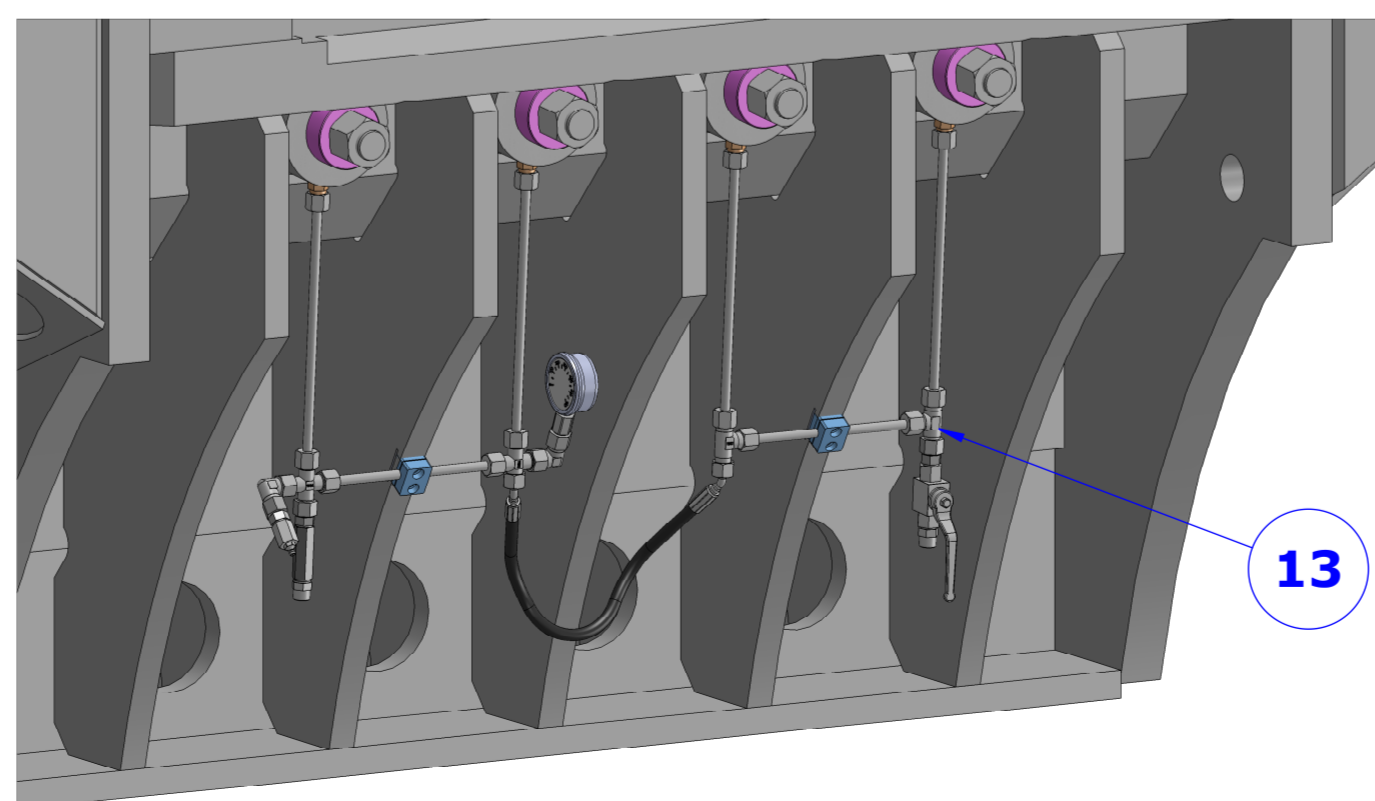
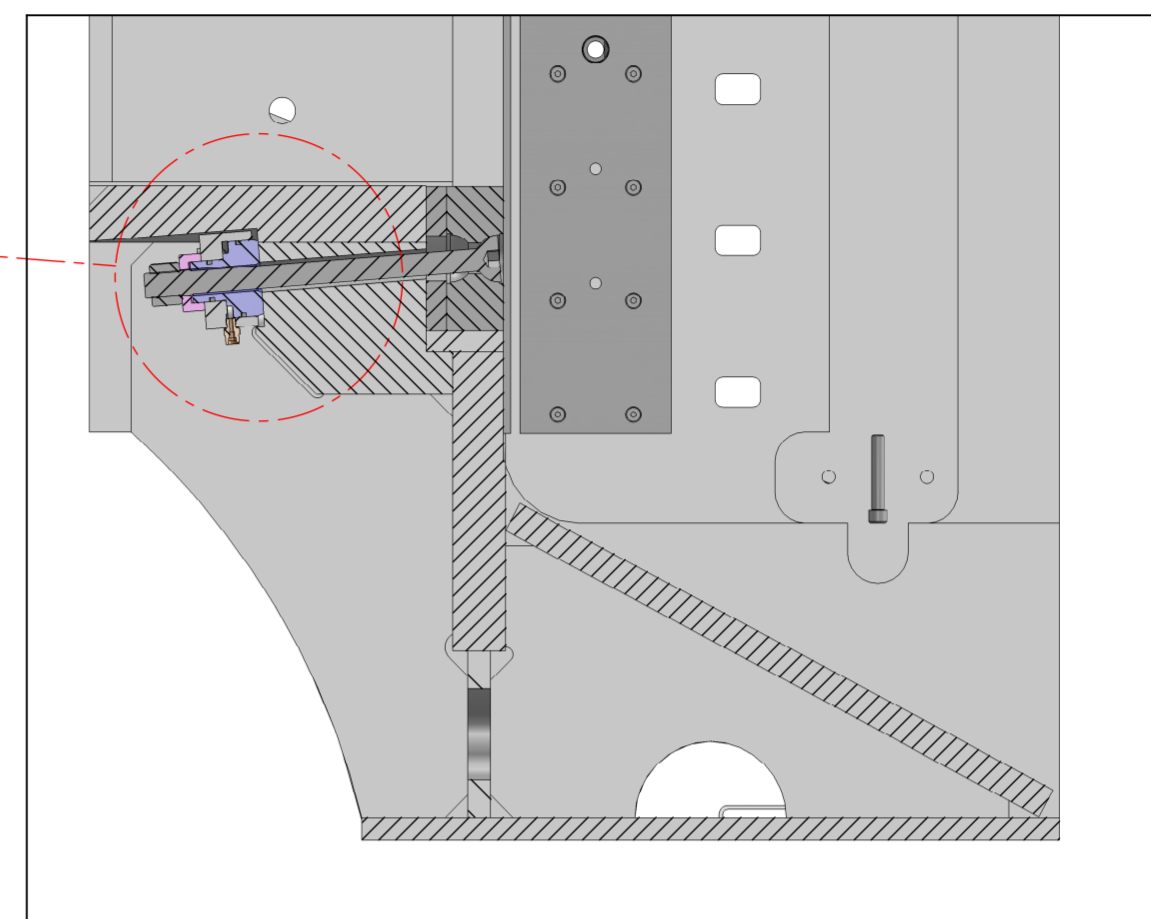


Description of the machine

10. Equipment of the frame



View from A



In case of a loading-box machine type, please refer to drawings U00595, S00528 and U00596

13	1	Fixing blade	HYD01979	MHY017
12	84	Screw DIN7991 M10x20 Q10.9	VIS00762	-
11	4	Wear plate 950x200x10mm (#1)	USR00139	U00251
10	4	Wear plate 800x140x10mm (#2)	USR00007	U00251
9	4	Fixing blade cylinder	HYD01980	MHY018
8	4	Nut for blade 1"x40	VIS00175	U00082
7	4	Blade Bolt 1"x470 spherical (#8)	VIS00323	U00072
6	6	Screw DIN912 M12x30	VIS00977	-
5	8	Screw DIN912 M20x30 Q12.9	VIS01127	-
4	2	Blade HQ spherical holes 510x190x75mm	LAM00155	U00075
3	2	Blade Support 510x190x27mm	LAM00257	U00074
2	1	Blade Bench 1020x102x27mm	LAM00006	U00073
1	1	Frame	STR00964	U00124
Item	Qty	Name	Part number	Drawing

This drawing is our property: it can't be reproduced or communicated without our written agreement.

Weight: ----- Kg			
A2 Date: 25/03/2013			
Scale: -/--			
Rev.	Date	Rev. description	By
A	26/06/16	Add #13	ALM
B	08/01/19	Change Qty #2 from 2 to 1	ABA
-	--/--/--	-----	-

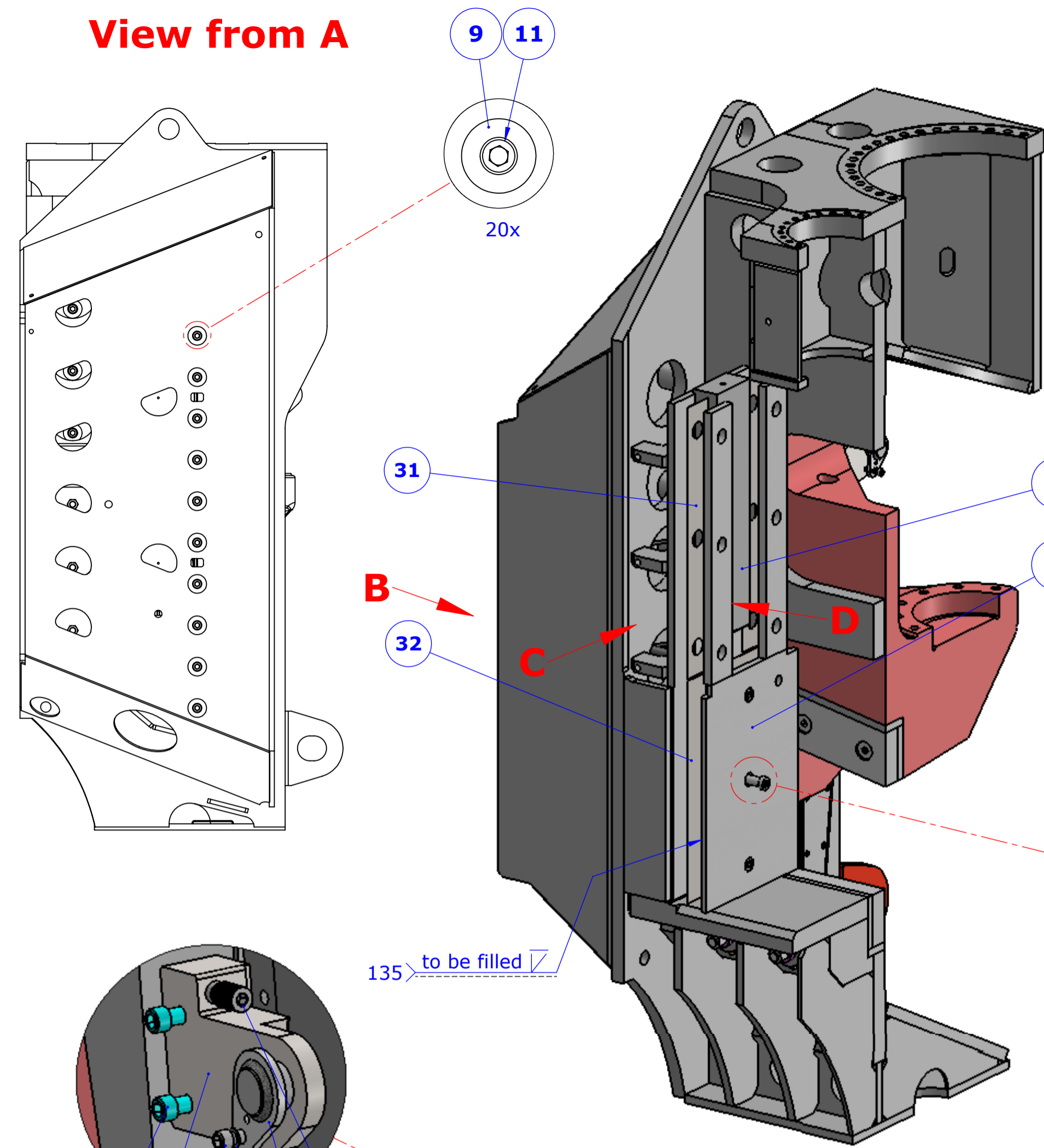
ASSEMBLY
Frame
850-1000T AS

 Rue Tahon, 1A
6041 GOSSELIES
(BELGIUM)
(+32) 071/35.16.09
info@lefort.com

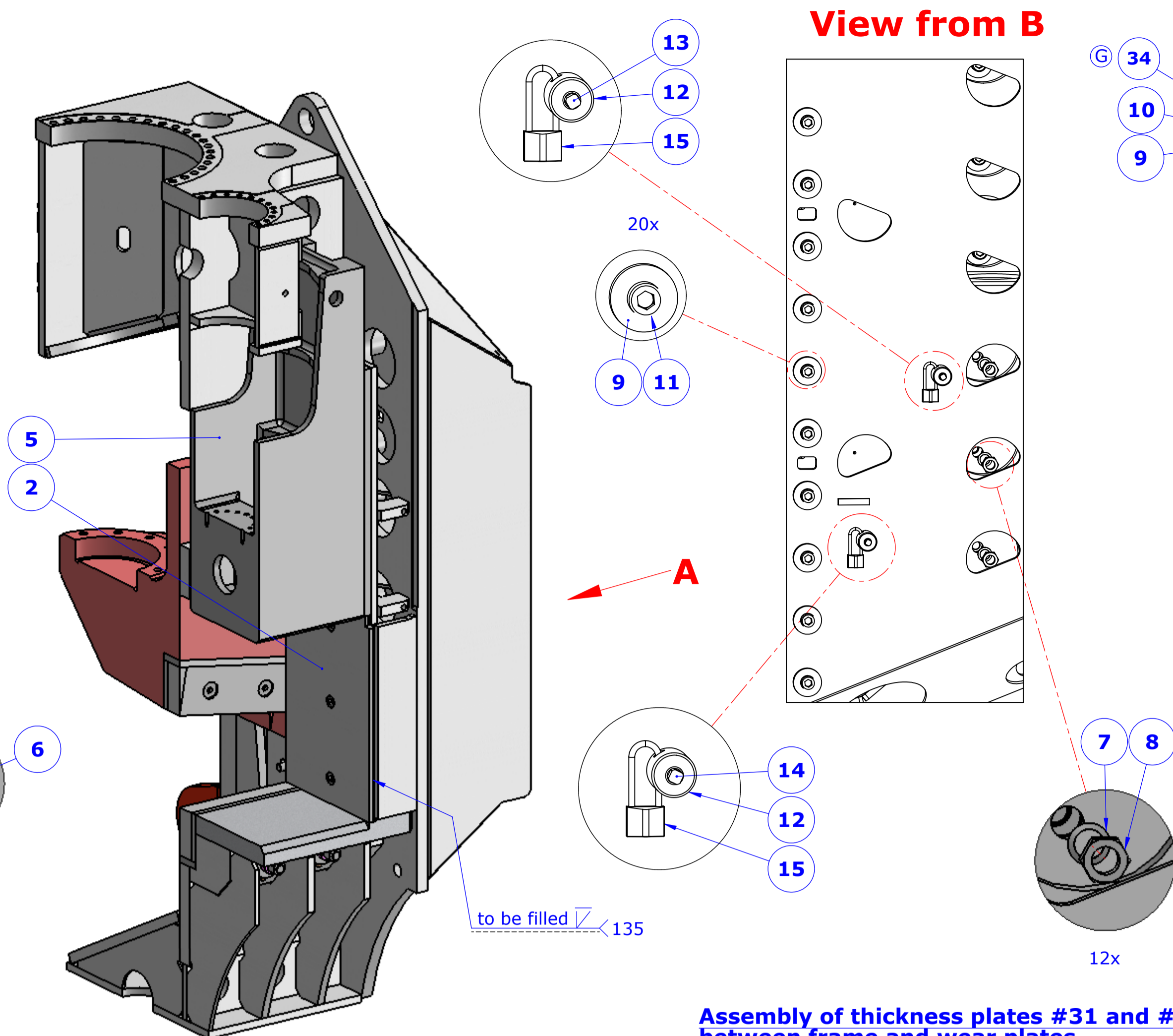
Drawn by : CB Sheet 1/6

M00098 B

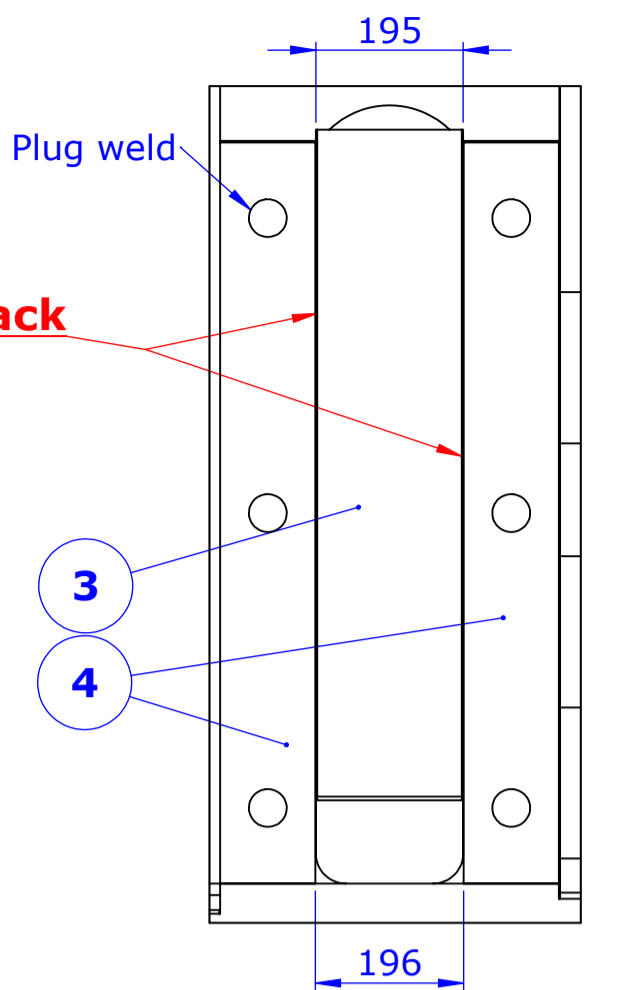
View from A



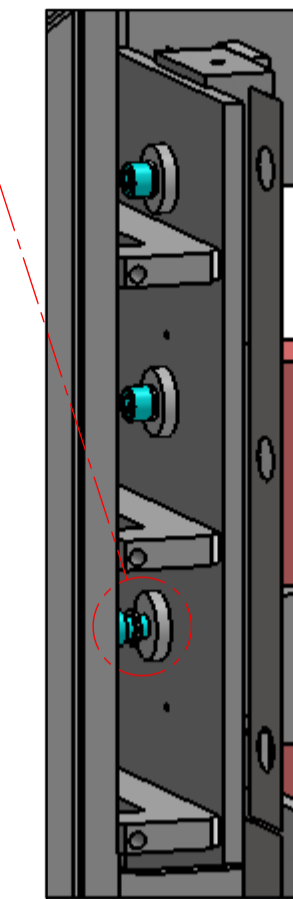
View from B



View from D

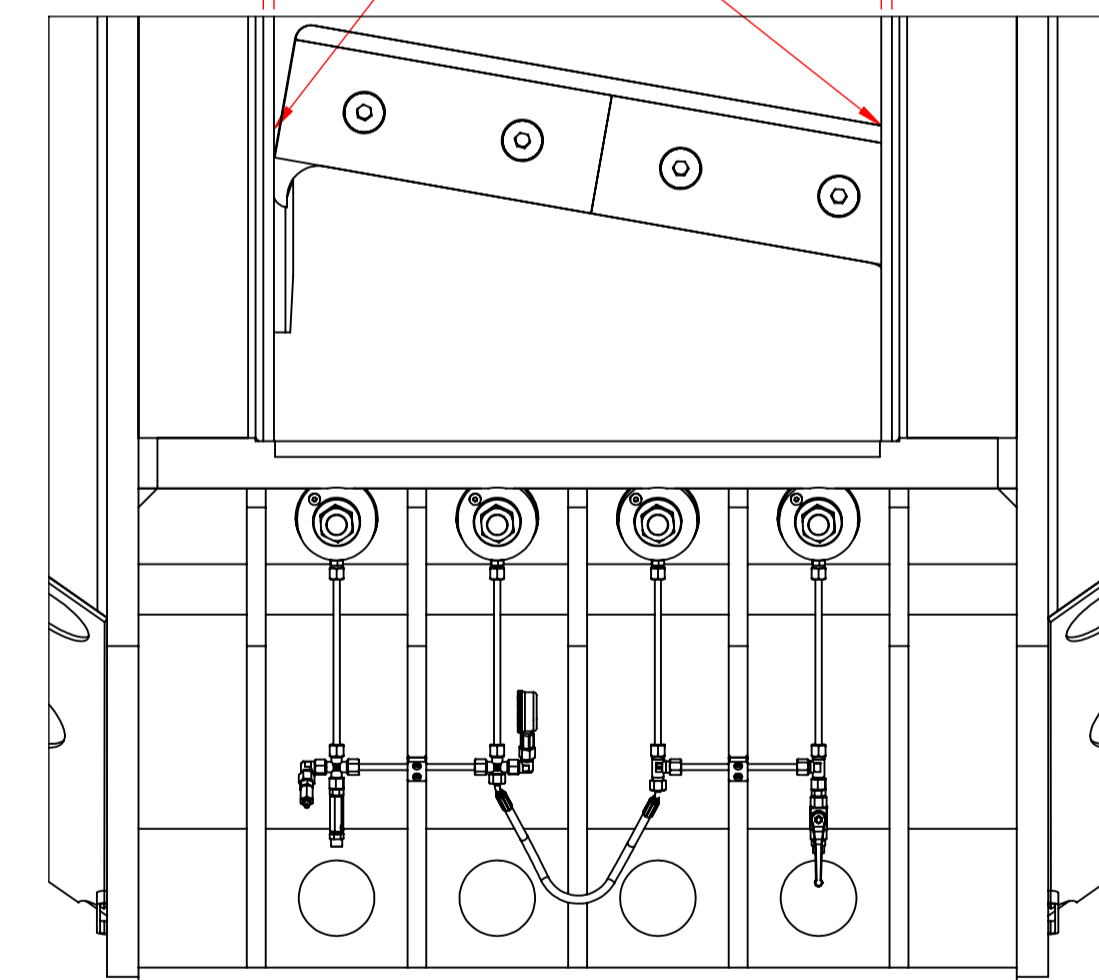


View from C



Assembly of thickness plates #31 and #32 between frame and wear plates

Thickness adjusted during assembly
0.5mm slack to be observed



Thickness table	
#31	0.5mm -> STR00904 1mm -> STR00905 3mm -> STR00906
#32	0.5mm -> STR00908 1mm -> STR00909 3mm -> STR00910

34	6	Washer Nord-Lock M30	VIS00506	-
33	1	Right counter retaining guide	STR06928	U00255
32	x	Thickness plate for wear plate frame	see thick. table	D00502
31	x	Thickness plate for wear plate frame	see thick. table	D00502
30	2	Washer SCHNORR M16 Type 5	VIS00531	-
29	4	Screw DIN912 M20x110 Q12.9	VIS01101	-
28	4	Screw DIN912 M16x35 Q12.9	VIS01068	-
27	2	Output plate shaft	STR00503	M422
26	2	Screw for support of retaining guide (#3)	STR00148	U00064-rep3
25	1	Safety plate bearing (#1)	STR00970	U00257
24	1	Safety plate bearing (#2)	STR00971	U00257
23	2	Screw 7/8" for support of retaining guide (#1)	VIS00145	U00064-rep1
22	4	Screw DIN912 M20x60 Q12.9	VIS01143	-
21	1	Bottom left retaining guide wedge	STR06860	U00062
20	1	Bottom right retaining guide wedge	STR06861	U00062
19	1	Left counter retaining guide	STR06927	U00255
18	1	Right retaining guide for crosshead frame	STR06925	U00255
17	1	Left retaining guide for crosshead frame	STR06923	U00255
16	1	Crosshead	STR02717	M00100
15	2	Padlock brass 55/50 HB29	CON00439	-
14	1	Cutter safety pin (#8)	STR00966	U00030
13	1	Hold-down safety pin (#9)	STR00967	U00030
12	2	Guiding for hold-down safety pin	STR00482	U00253
11	20	Screw DIN912 M30x500 Q12.9	VIS01297	-
10	6	Screw DIN912 M30x80 Q12.9	VIS01309	-
9	26	Washer Ø90/32x20	VIS00288	M568-U1
8	6	Nut DIN934 M30	VIS00082	-
7	6	Washer SCHNORR M30 Type 5	VIS00535	-
6	6	Screw DIN7984 M30x80 Q12.9	VIS00747	-
5	1	Hold-down	STR03454	U00150
4	4	Wear plate 980x126.5x29mm (#5)	USR00028	U00251
3	2	Crusher guide frame	STR00968	U00252
2	1	Wear plate 810x545x29mm (#3)	USR00142	U00251
1	1	Wear plate 810x545x29mm (#4)	USR00141	U00251
Item	Qty	Name	Part number	Drawing
G To add Nord-Lock Washers for the Hold-Down Guide Fastening VRA 19-12-19				
F Change back from M16 to 7/8 BSP. Screw M16 were bending under load ABA 05-03-2019				
E Update parts list # 23 ALM 16-09-2016				
Ind Modifications Drafter Date				
Index Table				
This drawing is our property; it can't be reproduced or communicated without our written agreement. This document is the exclusive property LEFORT and shall not be disclosed or reproduced without its written authorization.				
Material:	Sc: 1:10			
Weight: 8243.79 Kg	A1			
Thickness: mm				
Date: 26-03-13	Sheet 2/6			
Drawn by: CB				



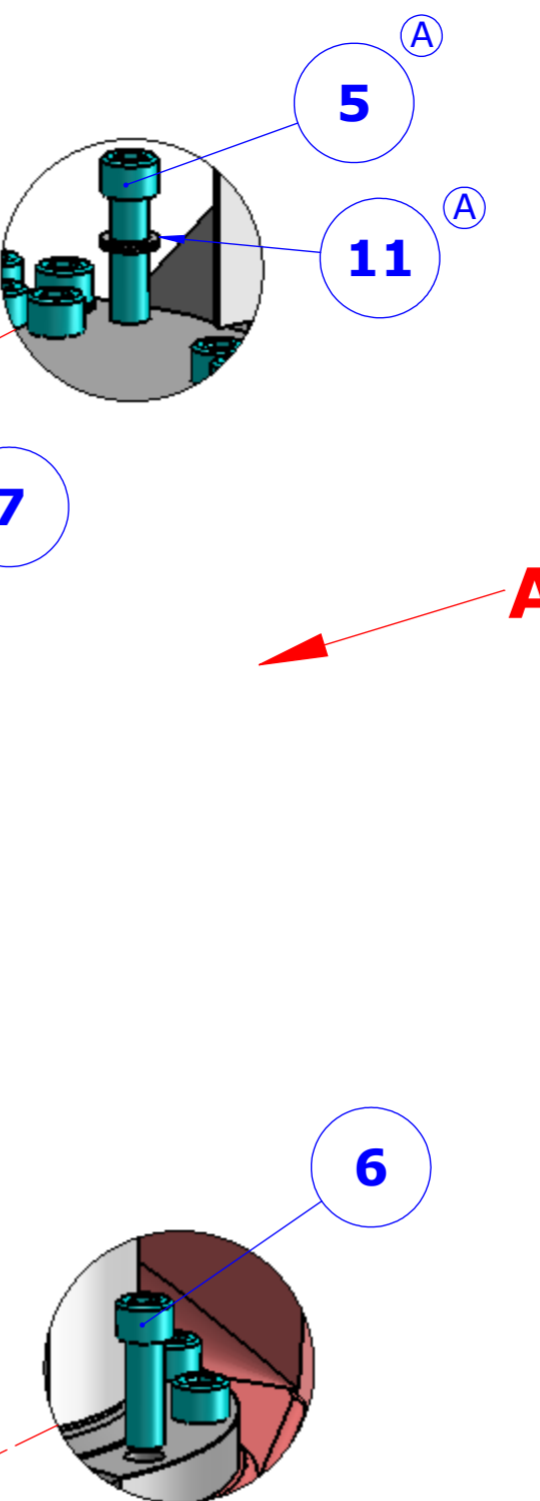
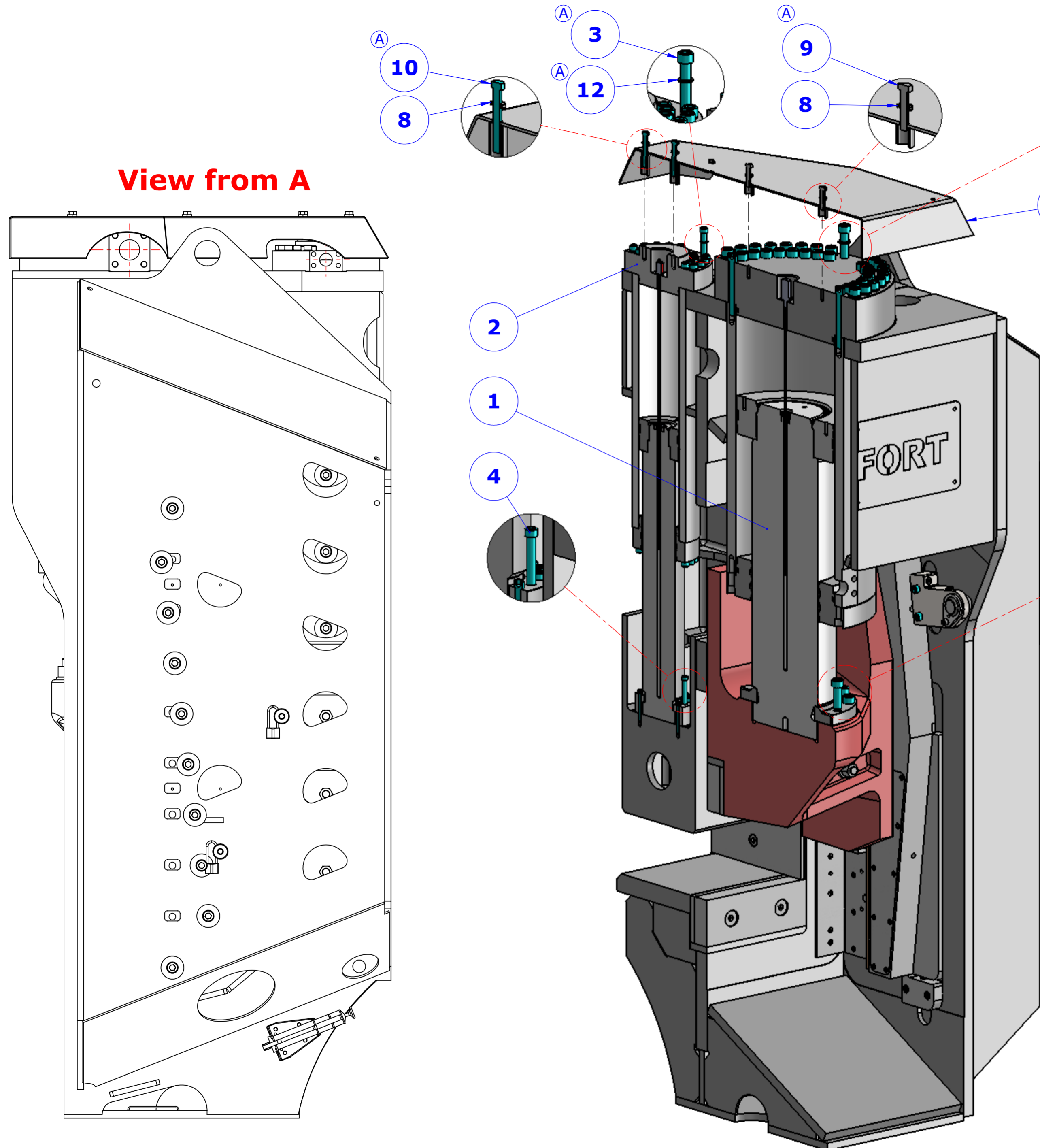
General tolerances for welded constructions ISO 13920-AE

Material:	Sc: 1:10
Weight: 8243.79 Kg	A1
Thickness: mm	
Date: 26-03-13	Sheet 2/6
Drawn by: CB	

ASSEMBLY
850-100T
Shear Group
Shear

Rue Tahn, 1A
6041 GOSSÉLIES
(BELGIUM)
(+32) 071/35.16.09
info@lefort.com

Bar Code:
M00098 **G**



(A)	12	22	Washer Nord-Lock M20 Q12,9	VIS00506	-
(A)	11	38	Washer Nord-Lock M30 Q12,9	VIS00504	-
(A)	10	2	Screw DIN931 M20x130 Zn	VIS01591	-
(A)	9	2	Screw DIN931 M20x80 Zn	VIS01608	-
	8	4	Sealing washer SR 1947 M20	VIS00544	
(A)	7	1	Protective plate for MTS sensor frame AS-Midway	STR01072	500274
	6	12	Screw DIN 912 M30x90 Q12.9	VIS1311	
(A)	5	38	Screw DIN912 M30x230 Q12.9	VIS51114	-
	4	18	Screw DIN912 M16x110 Q12.9	VIS1031	
(A)	3	22	Screw DIN912 M20x120 Q12.9	VIS01104	-
	2	1	Hold-down cylinder	see notice	
	1	1	Cutting cylinder	see notice	

Item	Qty	Name	Part number	Drawing
A		To add Nord-Lock washers and adapt the bolts lenght for the cylinders fixing	VRA	17-09-19
Ind		Modifications	Drafter	Date

Index Table

This drawing is our property: it can't be reproduced or communicated without our written agreement.
This document is the exclusive property LEFORT and shall not be disclosed or reproduced without its written authorization.

Material: Sc: 1:12
Weight: 11179.80 Kg **A2**
Thickness: mm
Date: 27-03-13 **Sheet** 5/6
Drawn by: CB
General roughness except specification
GENERAL TOLERANCES ISO 2768 mK

ASSEMBLY

Frame 850-1000T AS (version 900S)

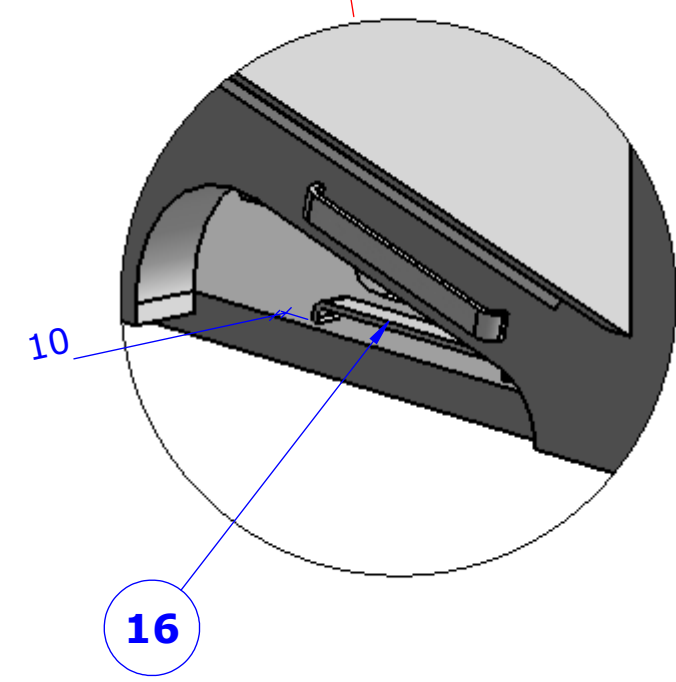
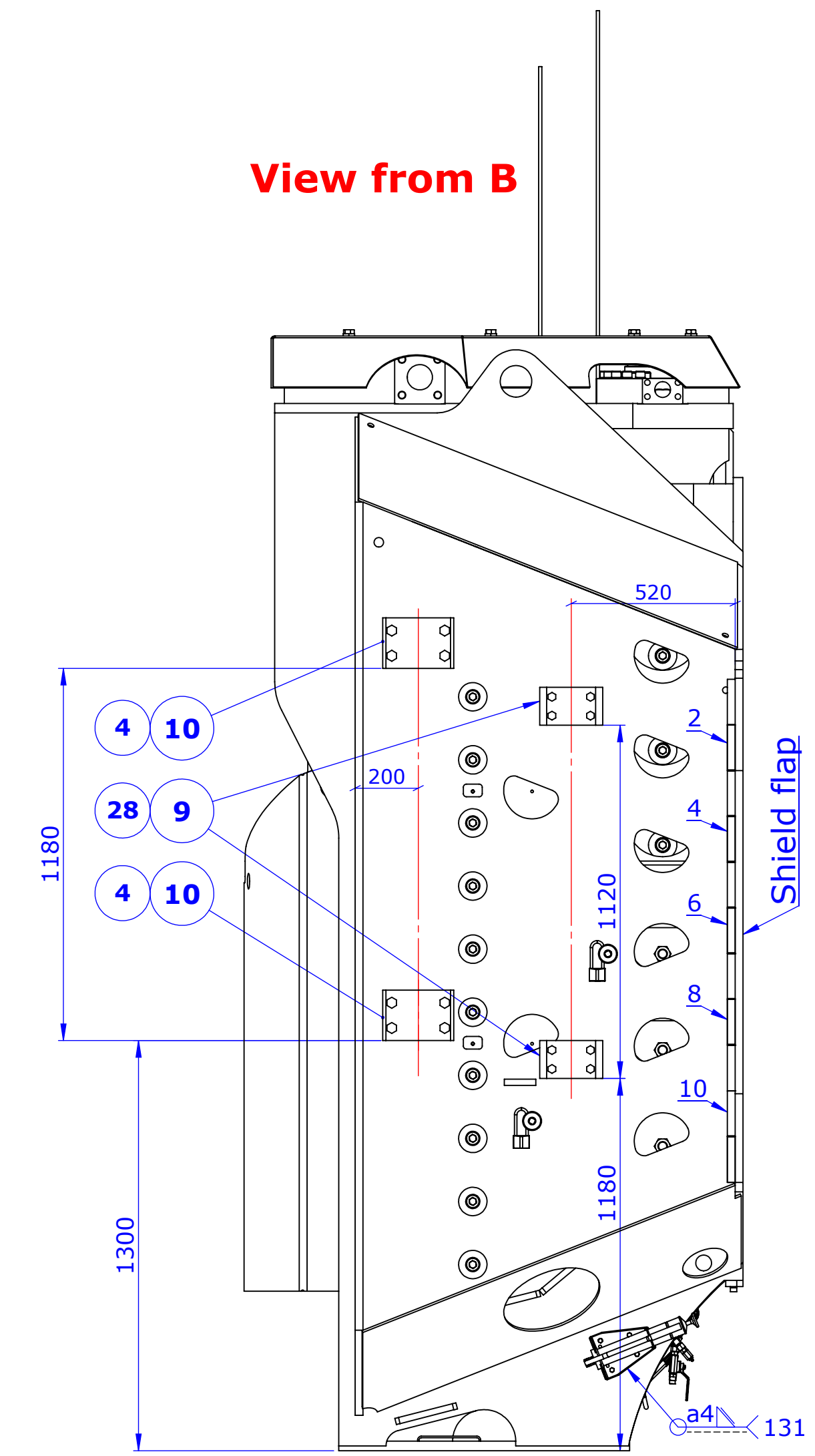
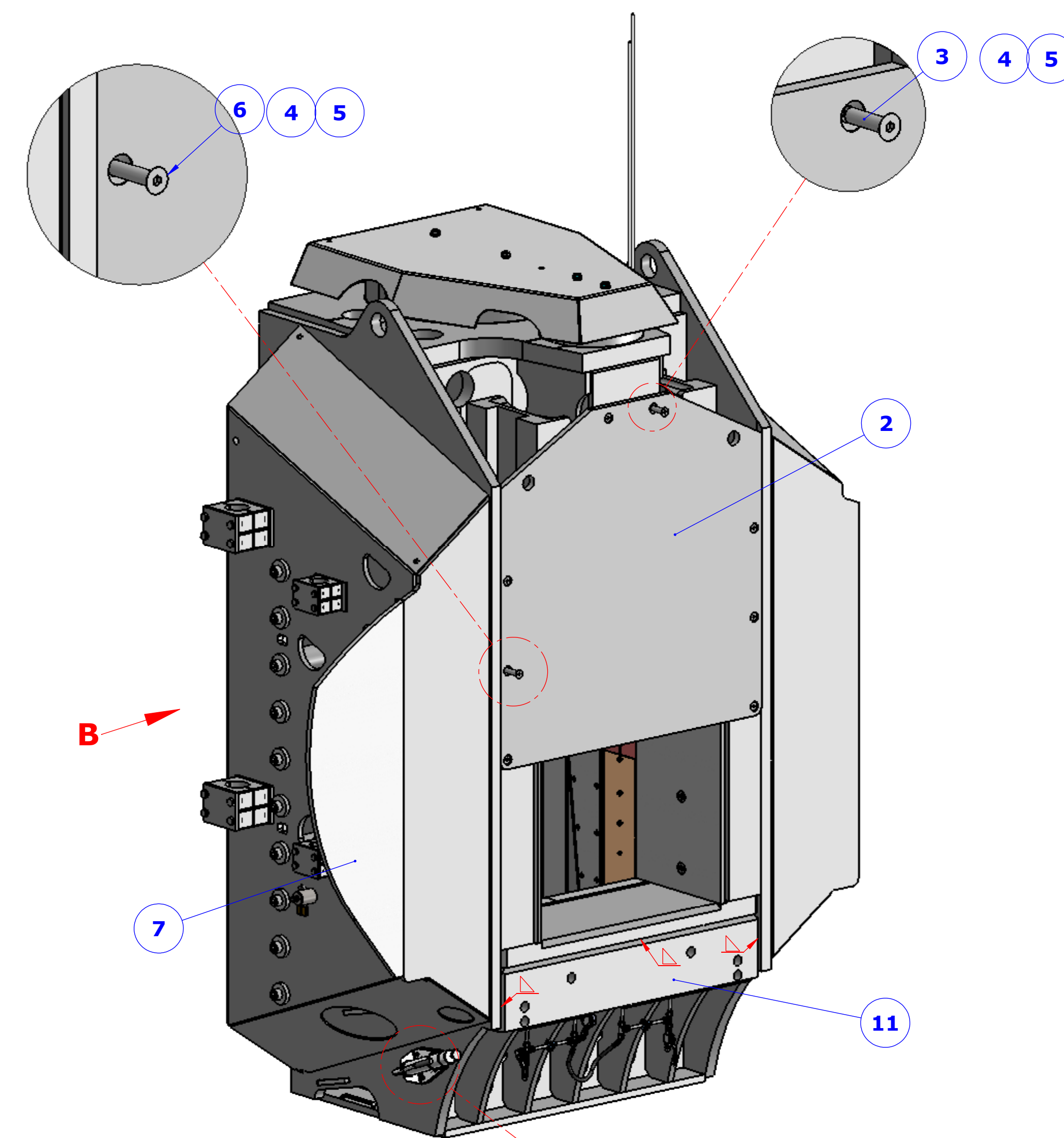
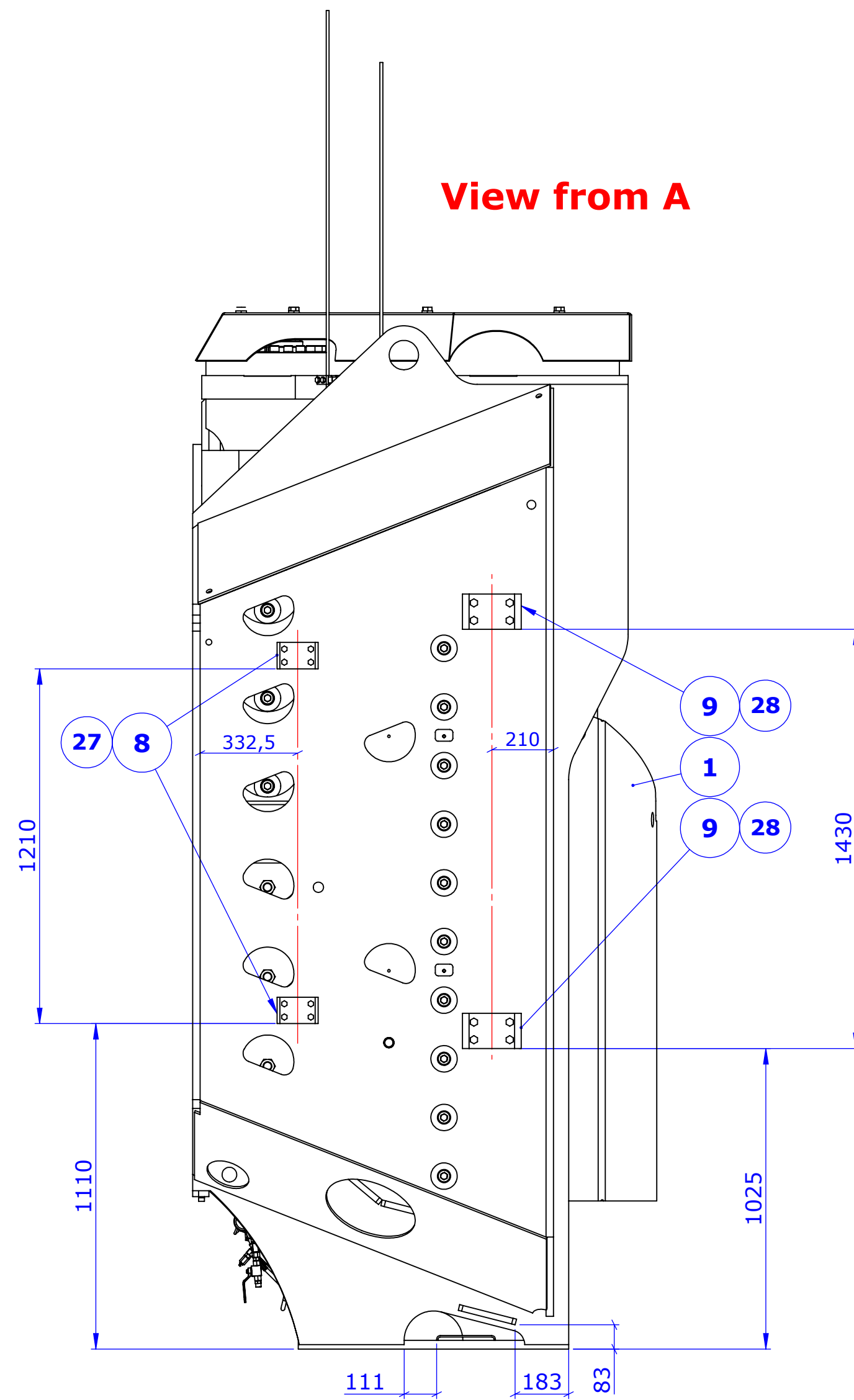
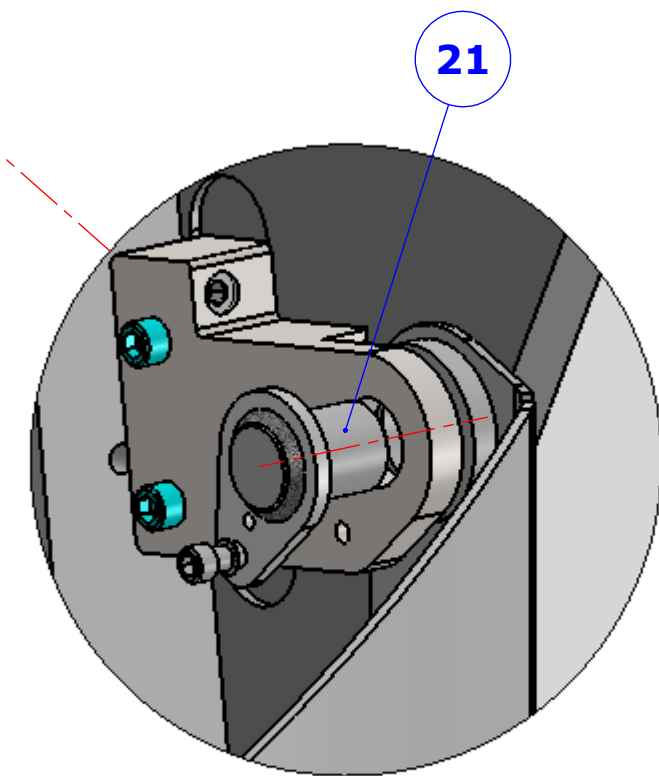
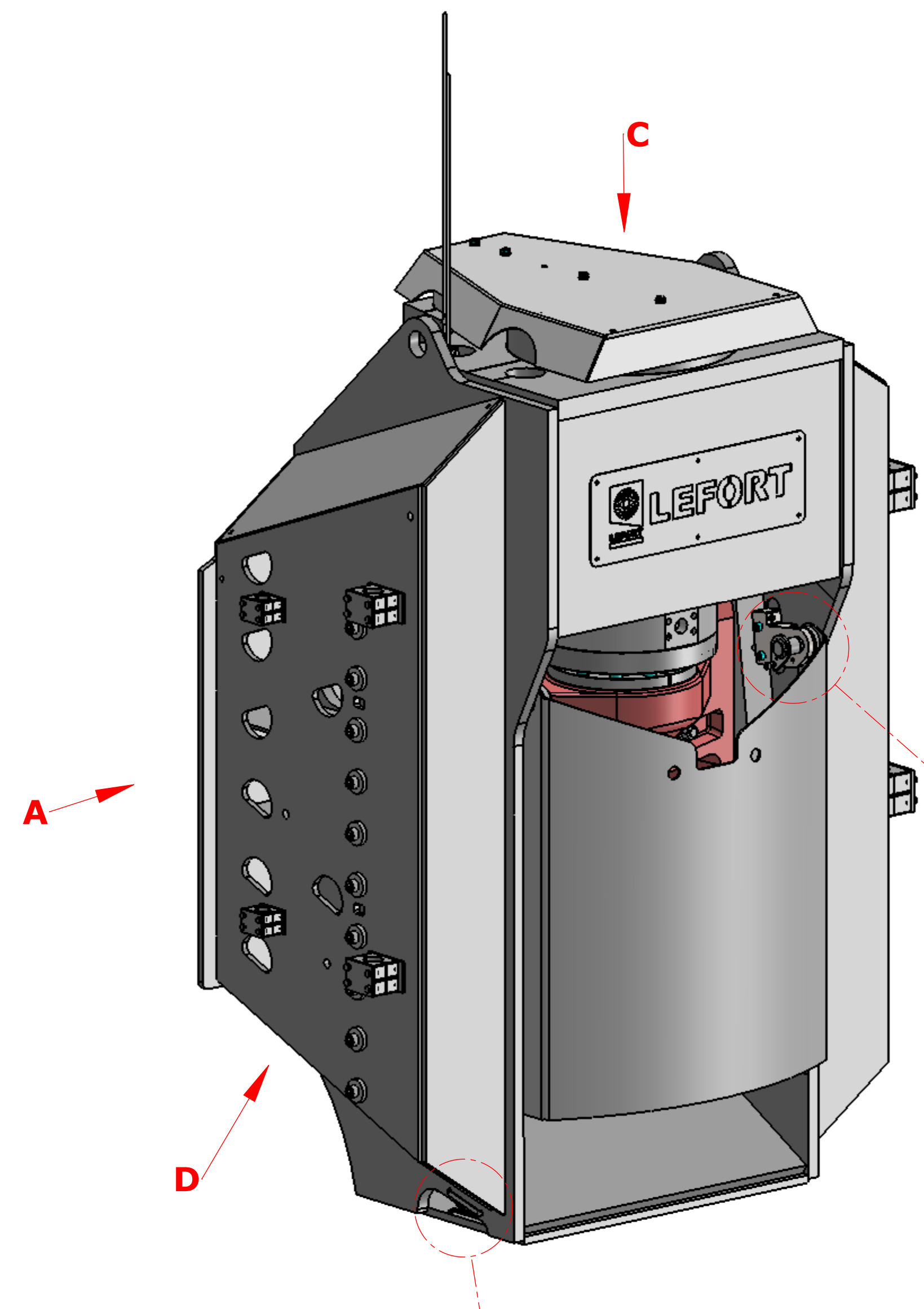
Shear

Rue Tahon, 1A
6041 GOSSELIES
(BELGIUM)
(+32) 071/35.16.09
info@lefort.com

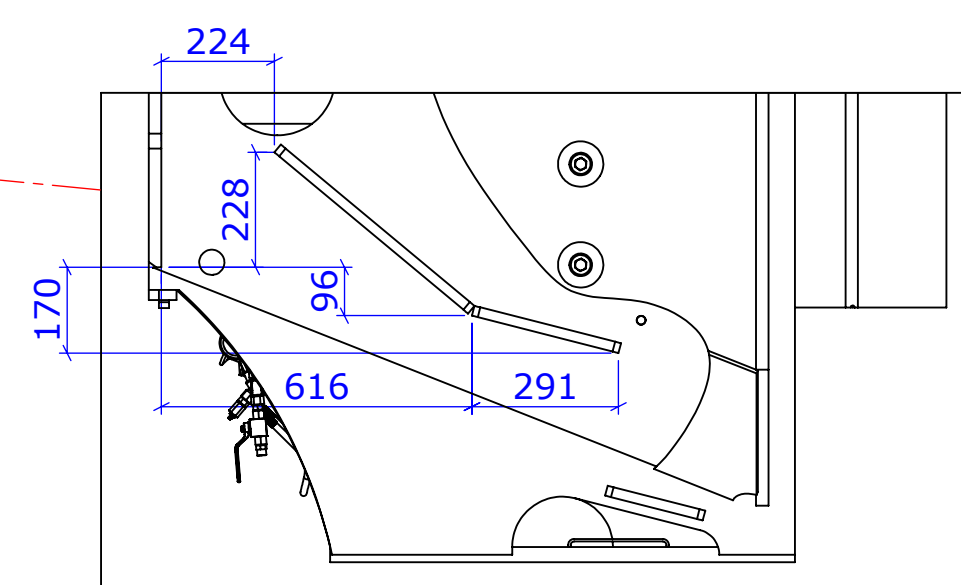
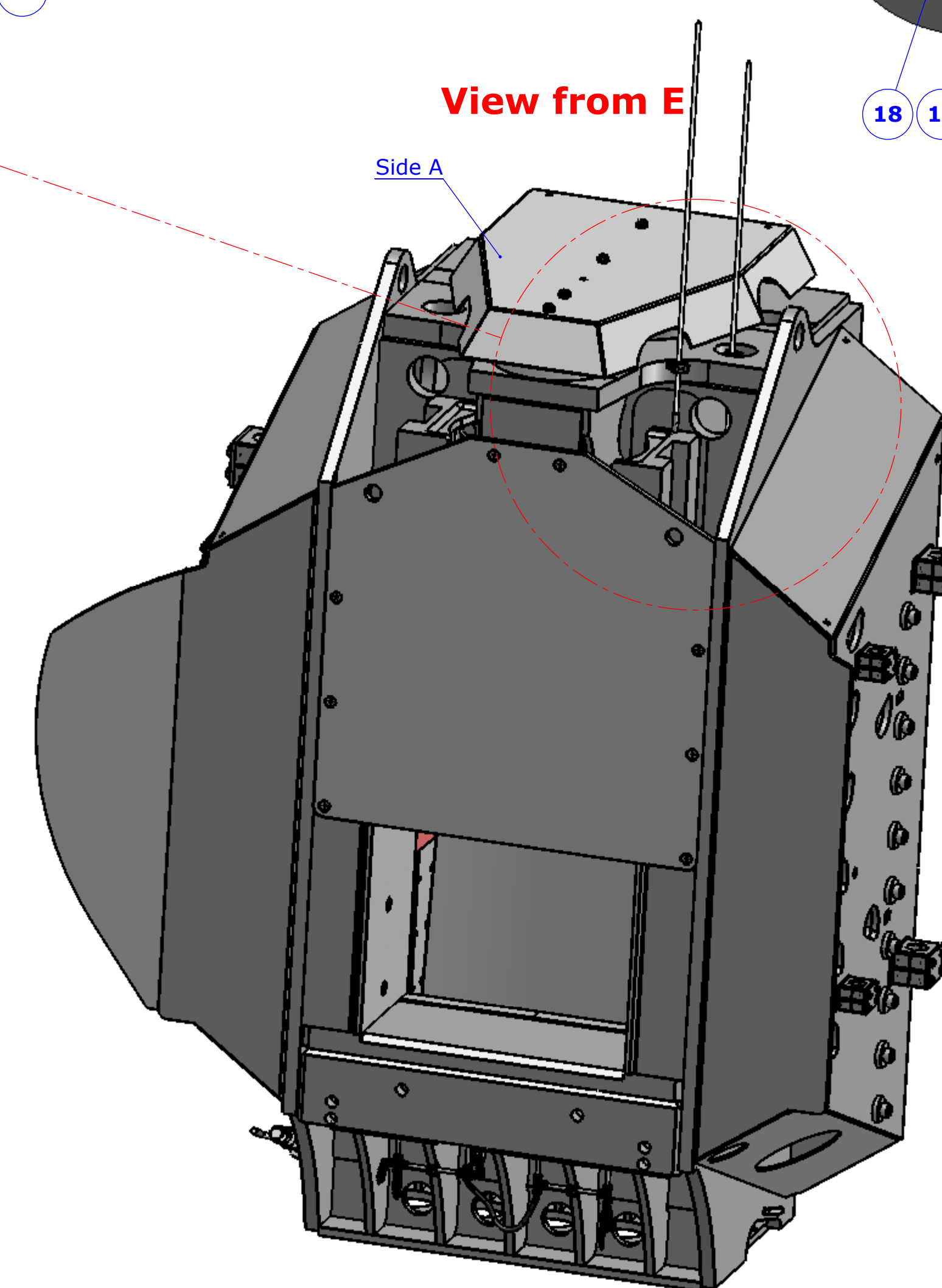
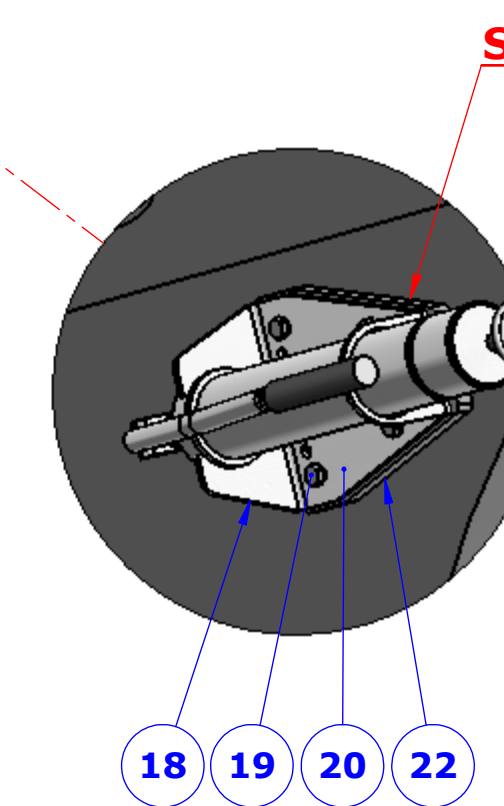
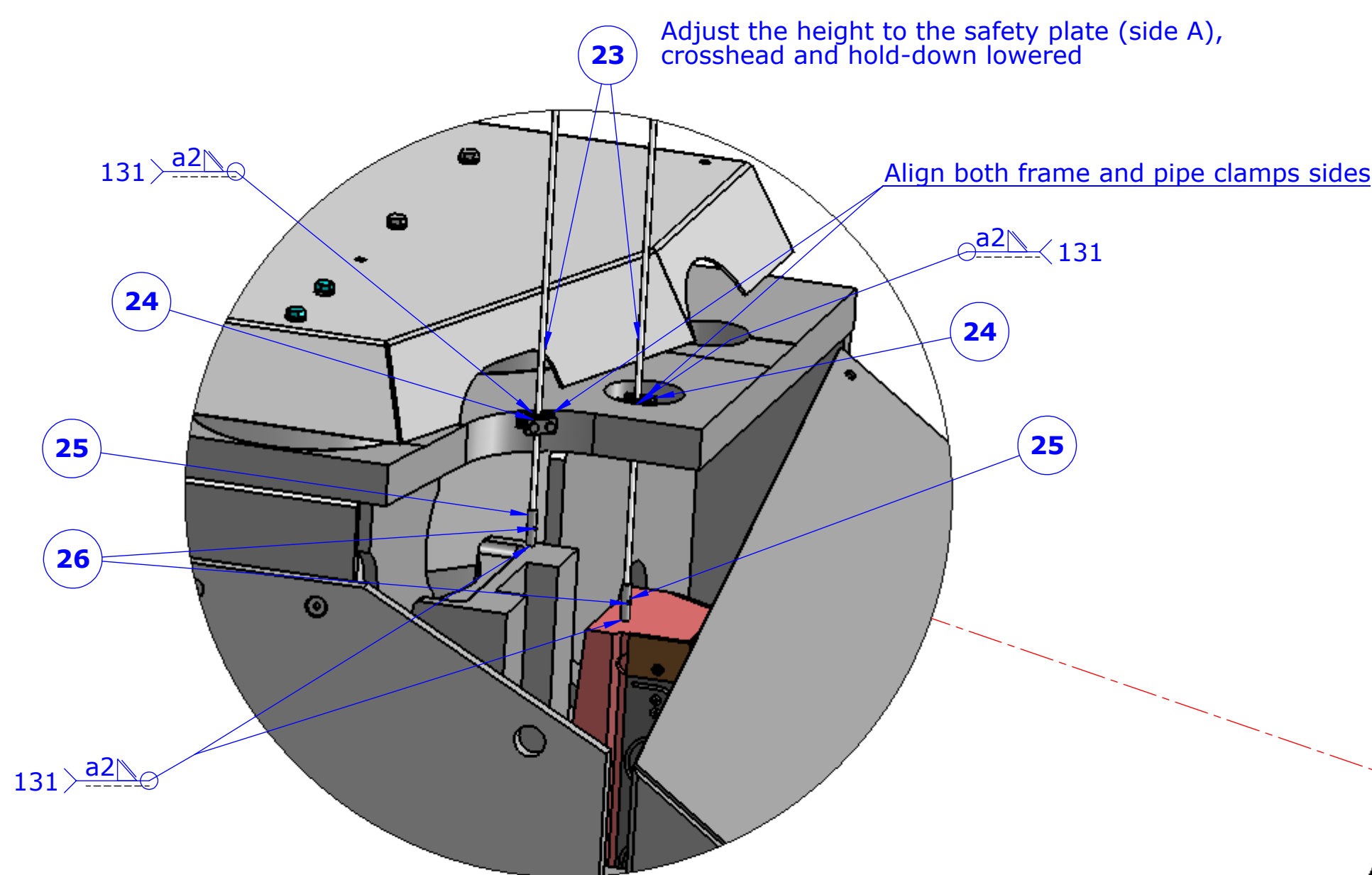
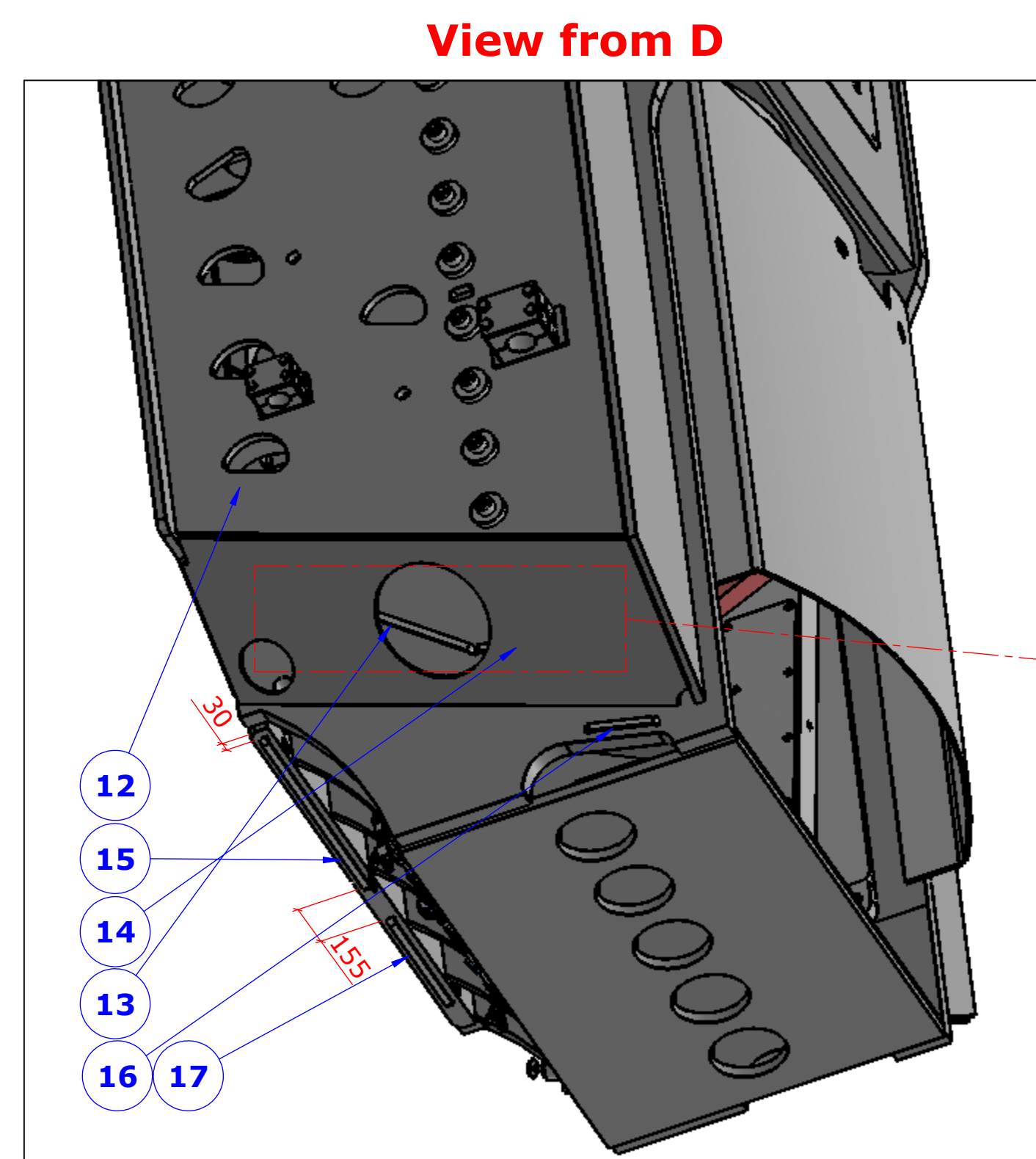
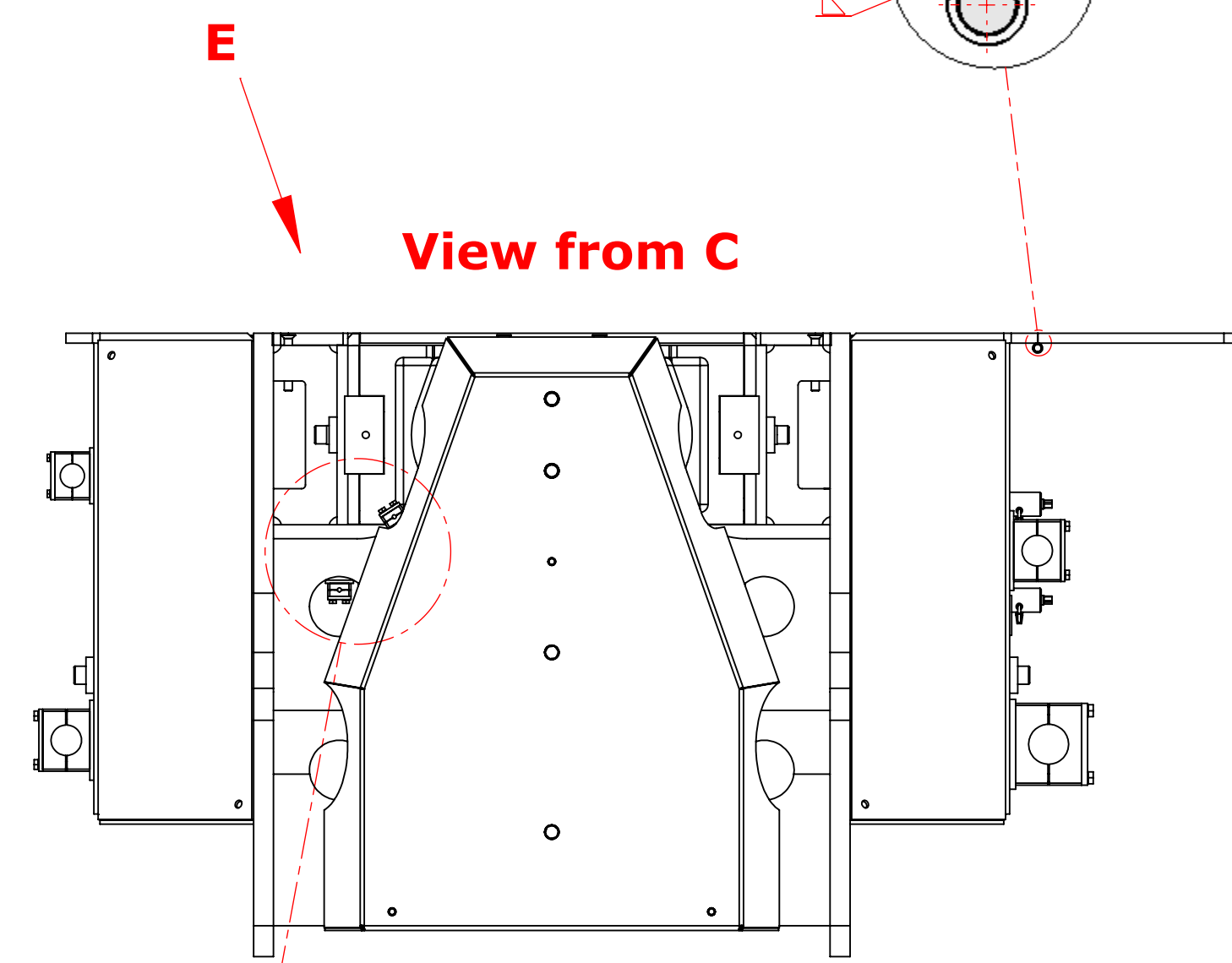
Bar Code:

M00098

A



Pipes 2, 4, 6, 8 and 10 see view B



28	16	Washer SCHNORR M16 Type 5	VIS00528	
27	8	Washer SCHNORR M12 Type 5	VIS00531	
26	2	Screw DIN916 M6x6	VIS01527	-
25	2	Fixing sleeve for nylon rod Ø10	STR00915	U01514
24	2	Pipe clamp Ø10	HYD03909	-
23	2	Nylon rod 10mm 1500mm	USR00676	-
22	1	Fixation plate for grease pump	STR01220	U00531
21	2	Output plate shaft for 850-1000T AS V1	STR00503	S00287
20	4	Schnorr Washer M8 Type 5 Zn plated	VIS00542	-
19	4	Screw DIN933 M8x12 Zn plated	VIS01787	-
18	1	Grease Pump with lever and support	HYD02282	-
17	1	Fixation plate for hoses 20x5x400mm (#7)	STR04745	M503A
16	4	Fixation plate for hoses 20x5x200mm (#3)	STR04743	M503A
15	1	Fixation plate for hoses 20x5x700mm (#13)	STR04737	M503A
14	2	Fixation plate for hoses 20x5x300mm (#5)	STR04744	M503A
13	2	Fixation plate for hoses 20x5x500mm (#9)	STR04746	M503A
12	2	Fixation plate for hoses 20x5x800mm (#14)	STR04738	M503A
11	1	Frame bridge plate 850-1000T AS	STR00955	U00125
10	2	Pipe clamp Ø110	HYD03910	-
9	4	Pipe clamp Ø76	HYD03907	-
8	2	Pipe clamp Ø60	HYD03905	-
7	1	Shield extension	STR07128	S00280
6	6	Vis DIN 7991 M20 x 140 Q12.9	VIS00811	-
5	8	Nut DIN934 M20	VIS00076	-
4	16	Washer SCHNORR M20 Type 5	VIS00532	-
3	2	Vis DIN 7991 M20 x 80 Q12.9	VIS00825	-
2	1	Shear shield for frame	STR00969	U00258
1	1	Safety output plate frame	STR01128	S00250

Item	Qty	Name	Part number	Drawing
G		To remove #29 fitting rings	VSA	30-10-20
F		Change item 25 and update screws number item 26	ABA	03-07-2020
E		add #29 fitting ring	JBO	02-12-2019
Ind		Modifications	Drafter	Date

Index Table

This drawing is our property; it can't be reproduced or communicated without our written agreement.
This document is the exclusive property of LEFORT and shall not be disclosed or reproduced without its written authorization.

Material: Sc: 1:10
Weight: 23622.0kg AO
Thickness: mm
Date: 28-03-13 Sheet 6/6
Drawn by: CB

ASSEMBLY
850-1000T Shear Group
SHEAR

Bar Code: M00098 G

Blue Tahan, S.A.
6041 GOSSELIES (BELGIUM)
(+32) 071/515.16.09
info@lefort.com

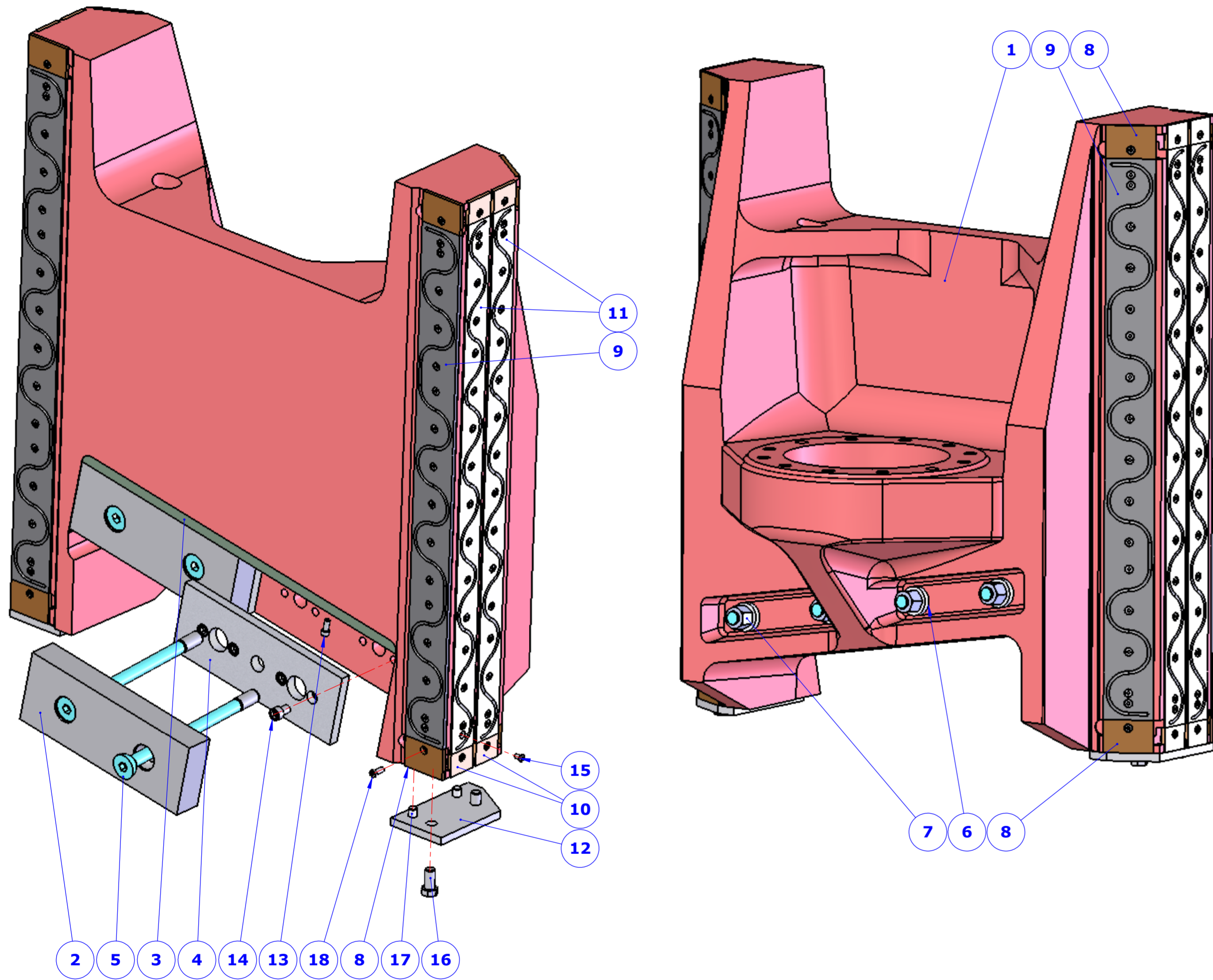
LEFORT

General tolerances for welded constructions ISO 13920-AE

WELDING INDICATIONS



3



18	16	Screw DIN7984 M12x25	VIS00706	-
17	4	Centering Dowel Pin DIN6325 Ø20x36	VIS00641	-
16	4	Screw DIN933 M24x50 Q12.9	VIS01748	-
15	128	Screw DIN7991 M10x20 Q10.9	VIS00762	-
14	8	Screw DIN912 M20x30 Q12.9	VIS01127	-
13	6	Screw DIN912 M12x30	VIS00977	-
12	2	Crosshead stop plates	STR02734	D00315
11	4	Wear plate Ertalon 1400x80x10mm (#1)	USR00522	U00246
10	8	Brass stop type D 80x60x19mm (#1)	USR00279	U00028
9	4	Wear plate Ertalon 1360x120x10mm (#2)	USR00415	U00246
8	8	Brass stop type D 120x80x19mm (#3)	USR00282	U00028
7	4	Nut for blade 1"x40	VIS00175	U00082
6	4	Washer Ø70/35X15	VIS00272	U00081
5	4	Blade Bolt 1"x470 spherical	VIS00323	U00072
4	2	Blade Support medium	LAM00029	U00074
3	1	Blade Bench medium	LAM00006	U00073
2	2	Blade HQ sph. Holes	LAM00155	U00075
1	1	Crosshead	STR02723	U00151
Item	Qty	Name	Part number	Drawing

This drawing is our property: it can't be reproduced or communicated without our written agreement.

Weight: ----- Kg			
A2 Date: 22/03/2013			
Scale: -/--			
Rev.	Date	Rev. description	By
A	19/06/15	upd #12	ALM
-	--/--/--	-----	-
-	--/--/--	-----	-

ASSEMBLY

Crosshead

Frame 850-1000T AS

M00100 A

Rue Tahon, 1A
 6041 GOSSELIES
 (BELGIUM)
 (+32) 071/35.16.09
 info@lefort.com

LEFORT
 Drawn by : CB Sheet 1/1

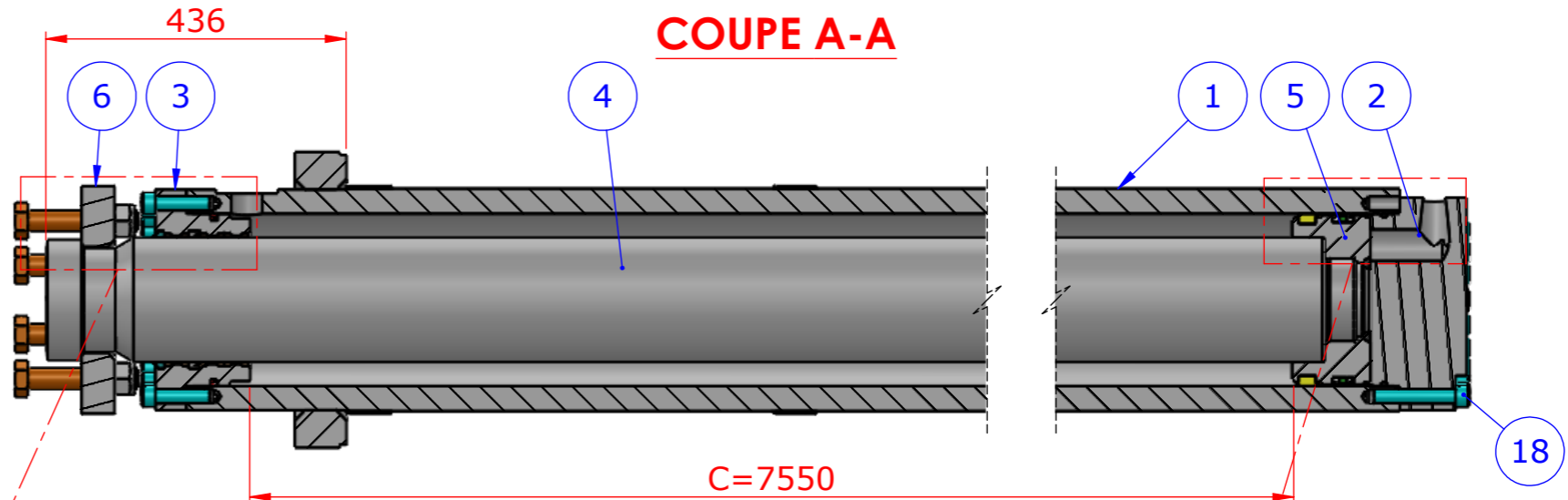
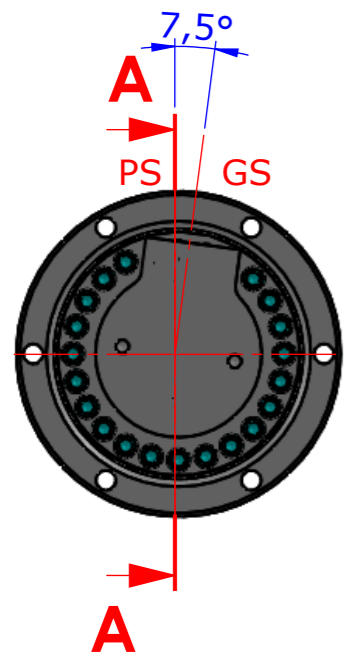
Chapter I



Description of the machine

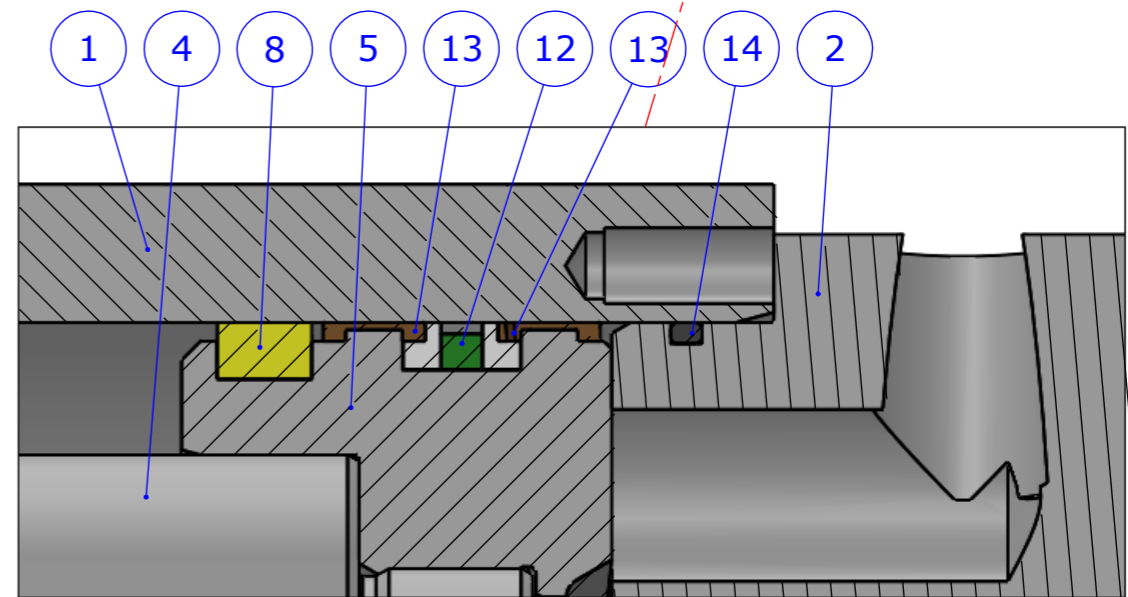
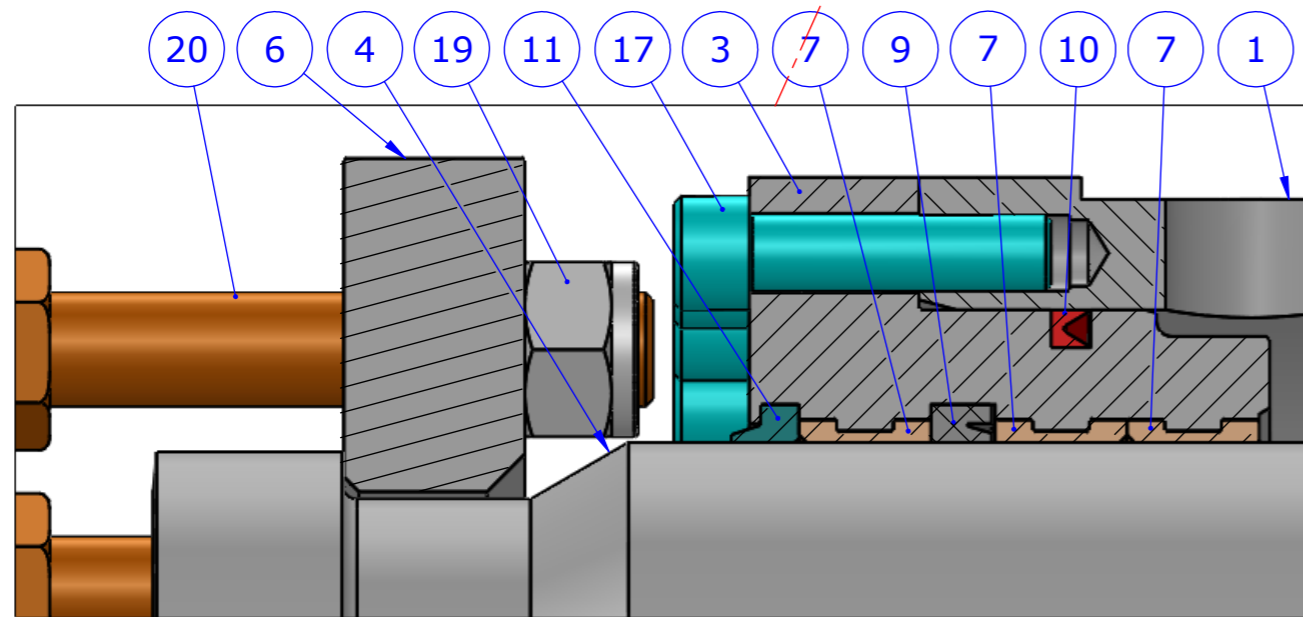
11. Cylinders

Cylinders	Dimensions	Number	Capacity
Pusher cylinder	Ø250/Ø180 C7550 V2	19/4957	180 T
Crusher cylinder	Ø250/Ø200 C813 V2	20/5130	Max. 180T
Cutter cylinder	Ø600/Ø400 C824 V4A	20/5129	1000T
Small lid cylinder without sensor	Ø250/Ø150 C815 V2A	20/5053	175 T
Big lid cylinder without sensor	Ø250/Ø150 C815 V2A	20/5102	175 T
Small lid cylinder with sensor	Ø250/Ø150 C815 V2	20/5103	175 T
Big lid cylinder with sensor	Ø250/Ø150 C815 V2	19/4901	175 T



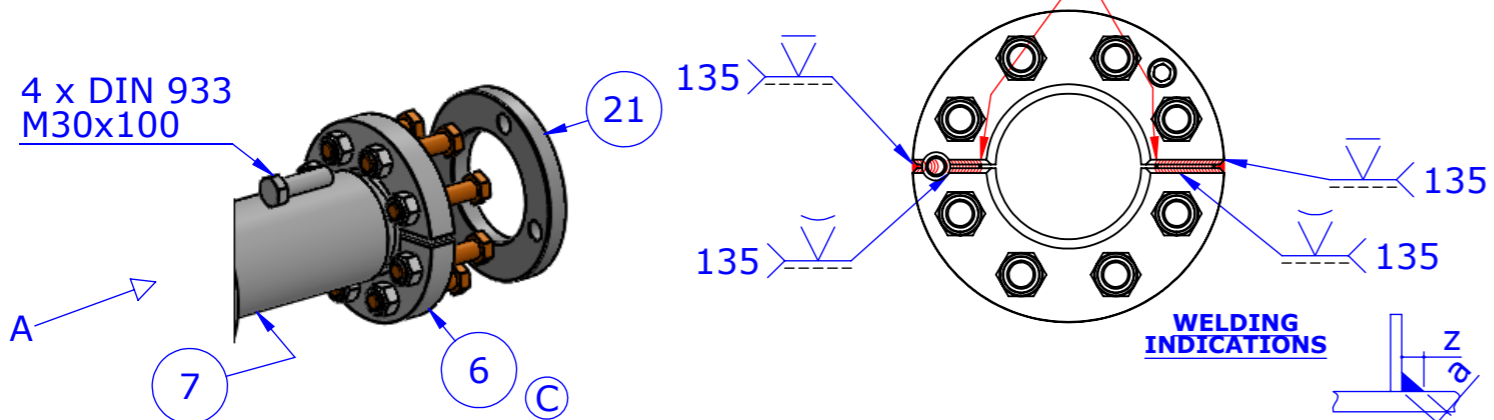
DÉTAIL C

DÉTAIL B



VIEW FROM A

Do not weld on 15mm



General tolerances for welded constructions ISO 13920-AE

D	Modifying end cap assembly angle + deleting ind. column on BOM	TBE	26-08-2020
C	Chg from CLA36 TO CLA39	ABO	5/16/2019
B	Deleting Raw material column on BOM to add information on the cylinder parts' machining drawing	TBE	27/02/2019
Ind	Modifications	Drafter	Date

Index Table

This drawing is our property: it can't be reproduced or communicated without our written agreement.
This document is the exclusive property LEFORT and shall not be disclosed or reproduced without its written authorization.

Material:	Sc: -
Weight: 3863.14 Kg	A3
Thickness: mm	
Date: 02-01-2018	Sheet 1/2
Drawn by: LPO	
General roughness except specification Ra6.3 GENERAL TOLERANCES ISO 2768 mK	

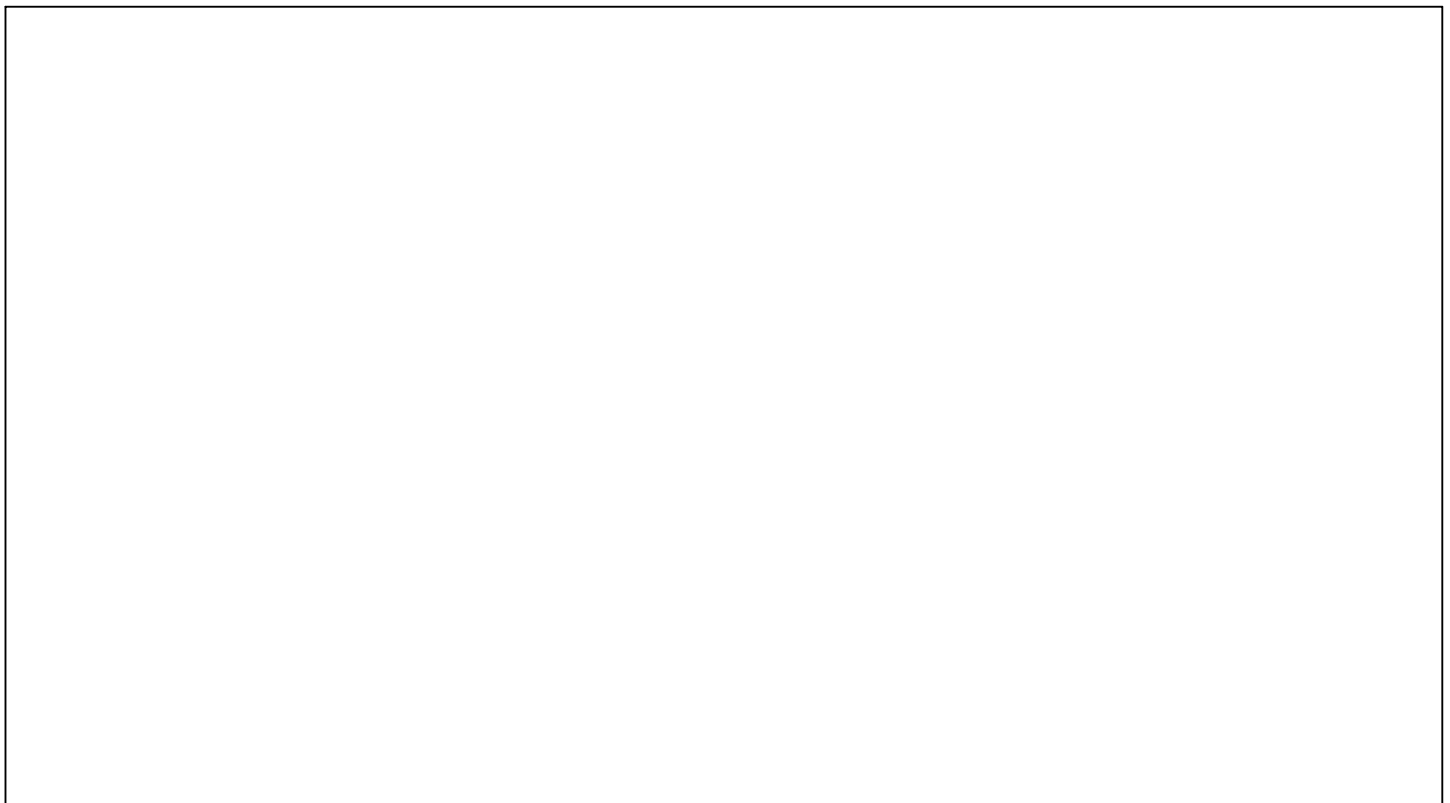
ASSEMBLY
Cylinder Ø250 Ø180
C7550 V2



Bar Code: VER32324


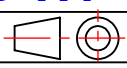
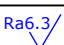

CYLINDER

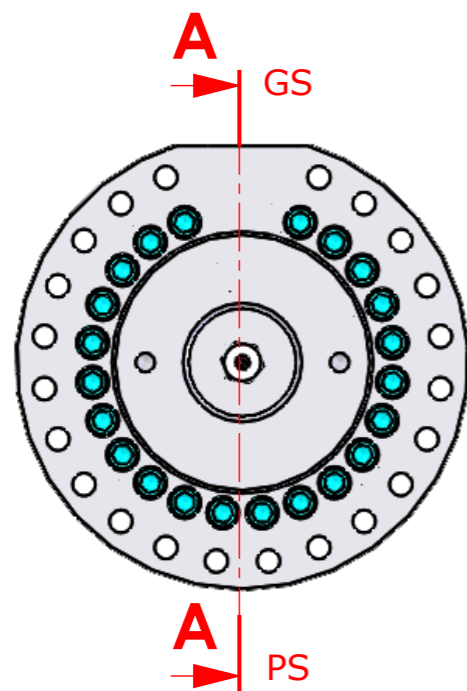
D



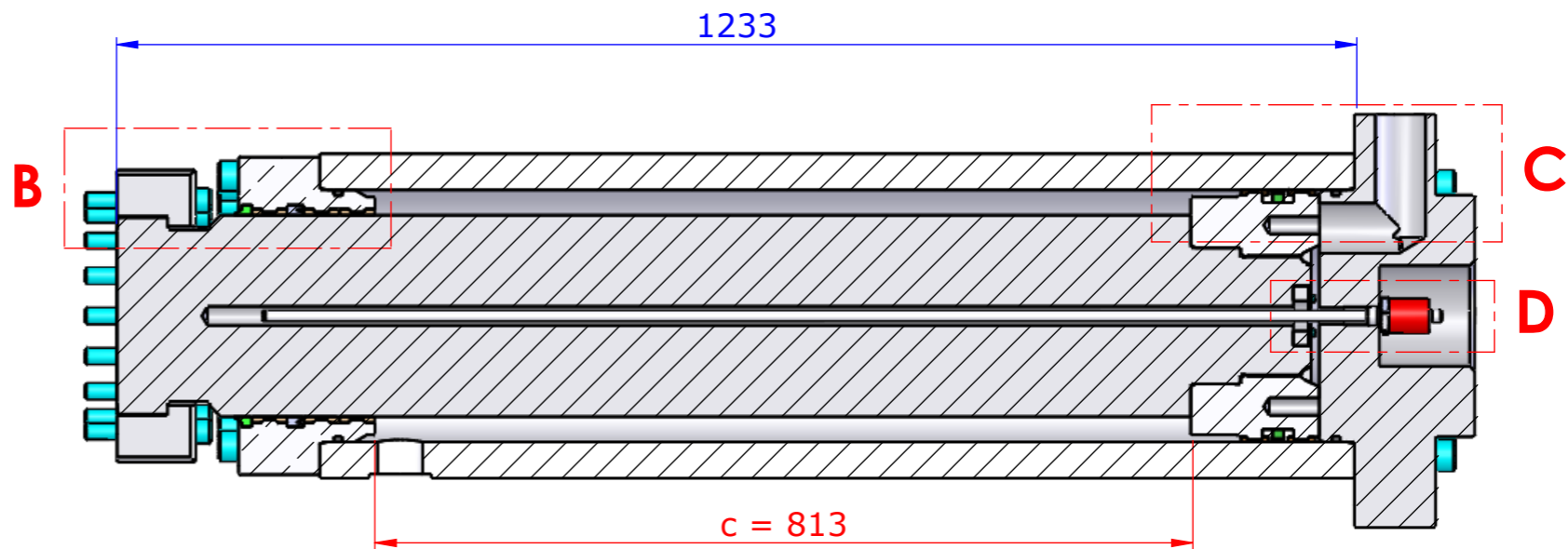
20	8	DIN 931 H M30 x 160 12.9	VIS-VIS-DIN931M30L160Q12.9	-	DIN 931 H M30x160
19	8	NUT DIN 985 M30	VIS-ECR-DIN985M30	-	-
18	20	Screw DIN 912 M20x120	VIS-VIS-DIN912M20L120Q12.9		DIN 912 M20 x 120
17	26	SCREW DIN912 M20x80	VIS-VIS-DIN912M20L80Q12.9		DIN 912 M20 x 80
16	1	Screw DIN 933 M30 x 100 Q 12.9	VIS-VIS-DIN933M30L100Q12.9		DIN 933 H M30x100
15	1	Jig for clamp	CON-OUT-U00305-REP1		U00305 Rep-1 Gabarit de clame
14	1	O'ring N75	JOI-ORG-D227.9x6.9-N75		Joint OR 75 pour AL 250
13	2	Bronze ring for GKD Ø250	JOI-GKD-PORT-250	U	Joint GKD porteur Ø 250
12	1	GKD Ø250	JOI-GKD-SSP-250	-	Joint GKD Ø250
11	1	Seal AI-D Ø180	JOI-RAC-AID-180/200X18	-	Joint AI-D ø 180
10	1	Seal MU Ø250	JOI-LEV-MU-250/230X10.5	-	Joint MU Ø250
9	1	Seal TDI Ø180	JOI-TDI-180	-	Joint TDI Ø180
8	1	Tab25	USR-ERT-B220250L025		LANG001 Rep-3 Langchette 25
7	3	Seal FI Ø180	JOI-FI-180	-	joint FI Ø 180
6	1	Piston rod clamp	VER-CLA-39	U	Clame CLA39
5	1	Piston head Ø250	VER-P-250-9	U	P250-9
4	1	Piston rod Ø180	VER-T-180-19-7975	U	T180-19
3	1	Guide G250-180-4	VER-G-250-180-4	U	Guide G250-180-4
2	1	End cap Ø250	VER-F-250-9	U	F250-9
1	1	Cylinder Ø250	VER-C-250-18-L7820	U	C250-18
Item	QTY	Designation	Réf. Article:		Drawing

This drawing is our property: it can't be reproduced or communicated without our written agreement.
 This document is the exclusive property LEFORT and shall not be disclosed or reproduced without its written authorization.

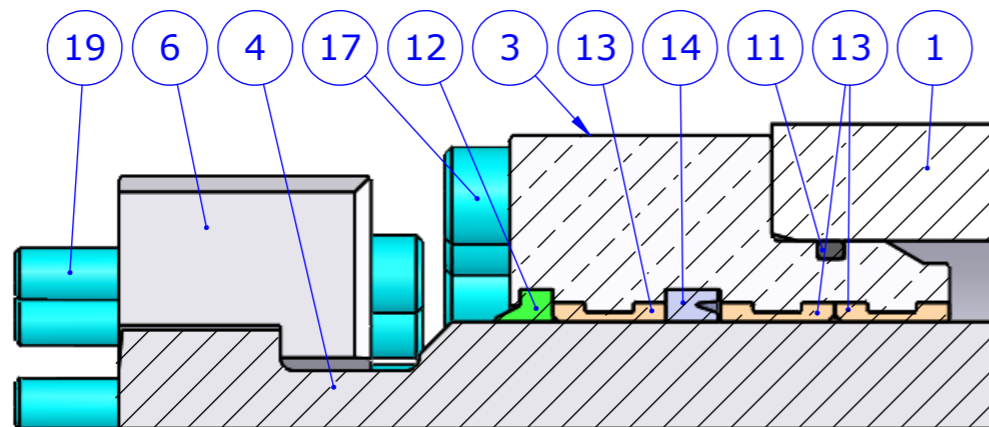
Material:	Sc: -	<h1>ASSEMBLY</h1> <h2>Cylinder Ø250 Ø180</h2> <h3>C7550 V2</h3> <h1>CYLINDER</h1>	 Rue Tahon, 1A 6041 GOSSELIES (BELGIUM) (+32) 071/35.16.09 info@lefort.com
Weight: 3863.14 Kg	A4		
Thickness: mm			
Date: 02-01-2018	Sheet 2/2		
Drawn by: LPO			
General roughness except specification  GENERAL TOLERANCES ISO 2768 mK		Bar Code: VER32324	



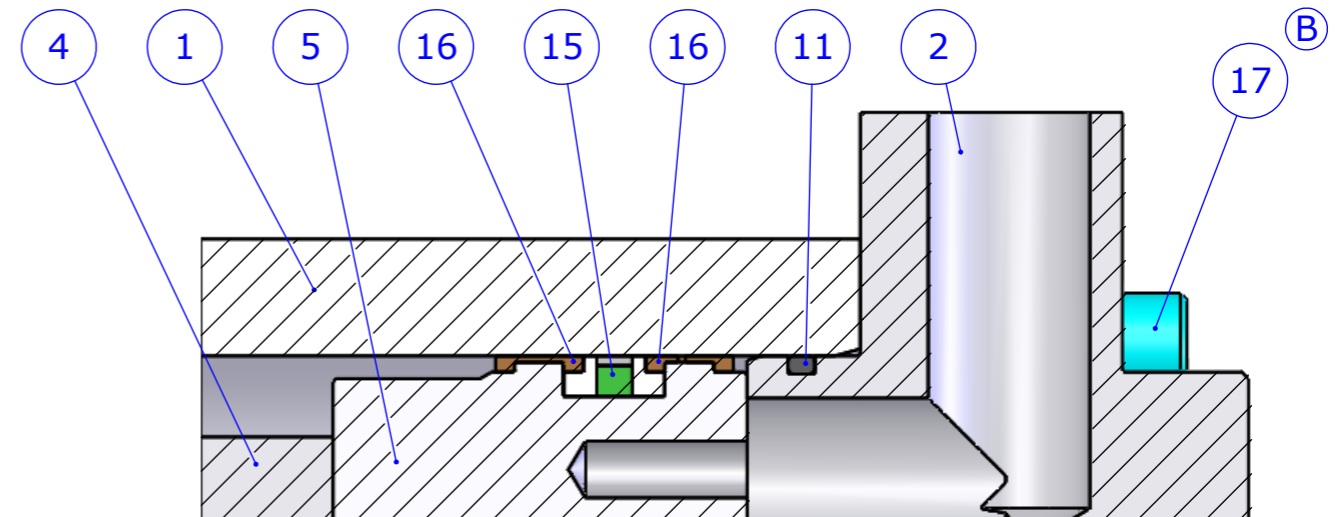
SECTION A-A



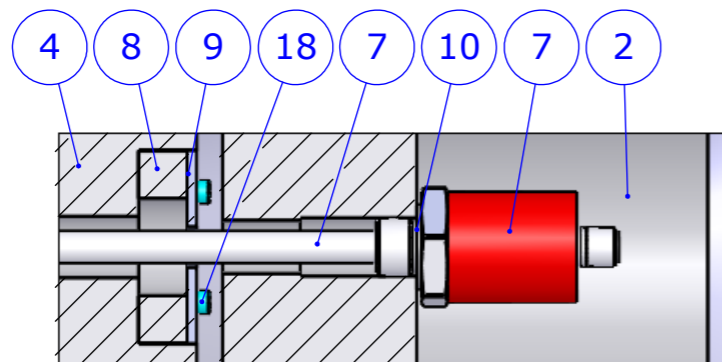
DETAIL B



DETAIL C



DETAIL D



B	To remove bolts for the fixing of the cylinder to the shear and to relocate its in the assembly of the shear	VRA	25-09-19
A	Drawing update + adding BOM on sheet 2	TBE	04/03/2019
Ind	Modifications	Drafter	Date

Index Table

This drawing is our property: it can't be reproduced or communicated without our written agreement.
This document is the exclusive property LEFORT and shall not be disclosed or reproduced without its written authorization.

Material:	Sc: 1:7
Weight: 736.55 Kg	A3
Thickness: mm	
Date: 23-03-17	Sheet 1/2
Drawn by:	
General roughness except specification $Ra6.3$ GENERAL TOLERANCES ISO 2768 mK	

ASSEMBLY
Cylinder Ø250 Ø200
C813 V2



Rue Tahon, 1A
6041 GOSELIES
(BELGIUM)
(+32) 071/35.16.09
info@lefort.com

Bar Code: VER00717

CYLINDERS

B

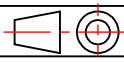


General tolerances for welded constructions ISO 13920-AE

(B)

19	18	Screw DIN912 M16x110 Q12.9	VIS-VIS-DIN912M16L110Q12.9		DIN 912 M16 x 110	-
18	4	Screw DIN 912 M4x25	VIS-VIS-DIN912M4L25		DIN 912 M4 x 25 -- 25N	-
17	44	Screw DIN 912 M20 L110 12.9	VIS-VIS-DIN912M20L110Q12.9		DIN 912 M20 x 110	-
16	2	Bronze ring for GKD Ø250	JOI-GKD-PORT-250	U	Joint GKD porteur Ø 250	-
15	1	GKD Ø250	JOI-GKD-SSP-250	-	Joint GKD Ø250	-
14	1	Joint TDI Ø200	JOI-TDI-200		Joint TDI Ø200	-
13	3	Guide ring FI Ø200	JOI-FI-200	-	joint FI Ø 200	-
12	1	Seal AI-D 200	JOI-RAC-AID-200/220x18		Joint AI-D ø 200	-
11	2	O'ring N75	JOI-ORG-D227.9x6.9-N75		Joint OR 75 pour AL 250	-
10	1	M18x1.5	JOI-MTP-18.7	-	Joint métallo-plastique	-
9	1	MTS Washer	ELE-SEN-AAIM60		M516	-
8	1	MTS Magnet Outside Dia 60	ELE-SEN-AIM60		Aimant MT062	-
7	1	MTS sensor L1000	ELE-SEN-MES1000-M12		Capteur MTS Lg-1000	-
6	1	Clamp	VER-CLA-14	U	CLA14	B
5	1	Piston head Ø250	VER-P-250-4	U	P250-4	A
4	1	Piston rod Ø150	VER-T-200-4-1190	U	T200-4	B
3	1	Gland bush Ø250 Ø200	VER-G-250/200-3	U	G250-200-3	B
2	1	End cap cylinder Ø250	VER-F-250-5	U	F250-5	C
1	1	Cylinder Ø250	VER-C-250-2-L1031	U	C250-2	A
Item	QTY	Designation	Réf. Article:		Drawing	Ind

This drawing is our property: it can't be reproduced or communicated without our written agreement.
 This document is the exclusive property LEFORT and shall not be disclosed or reproduced without its written authorization.

Material:	Sc: -
Weight: 736.55 Kg	A4
Thickness: mm	
Date: 23-03-17	Sheet 2/2
Drawn by:	
General roughness except specification $Ra6.3$ GENERAL TOLERANCES ISO 2768 mK	

ASSEMBLY

Cylinder Ø250 Ø200 C813 V2



Rue Tahon, 1A
 6041 GOSELIES
 (BELGIUM)
 (+32) 071/35.16.09
 info@lefort.com

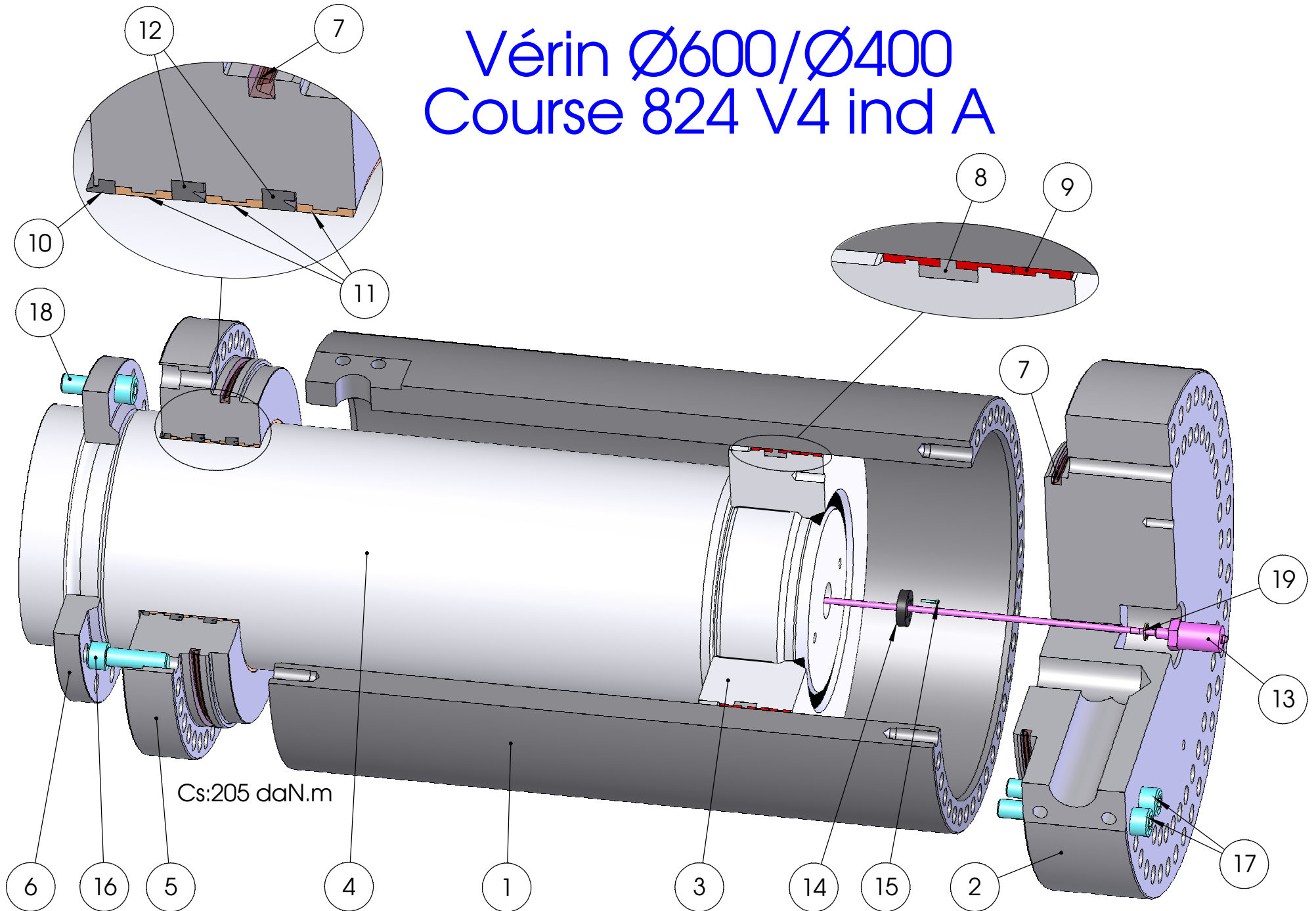
Bar Code: VER00717

CYLINDERS

B

Vérin Ø600/Ø400 Course 824 V4 ind A

S.A. PRESSES ET CISAILLES LEFORT



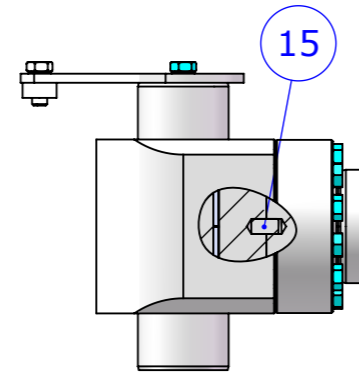
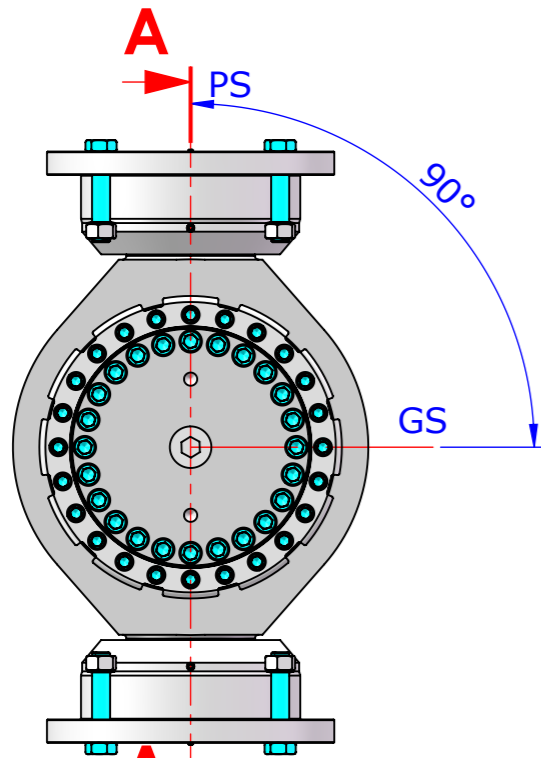
COUPE 1000T AS-MEDIUM - V2008

Cs:205 daN.m

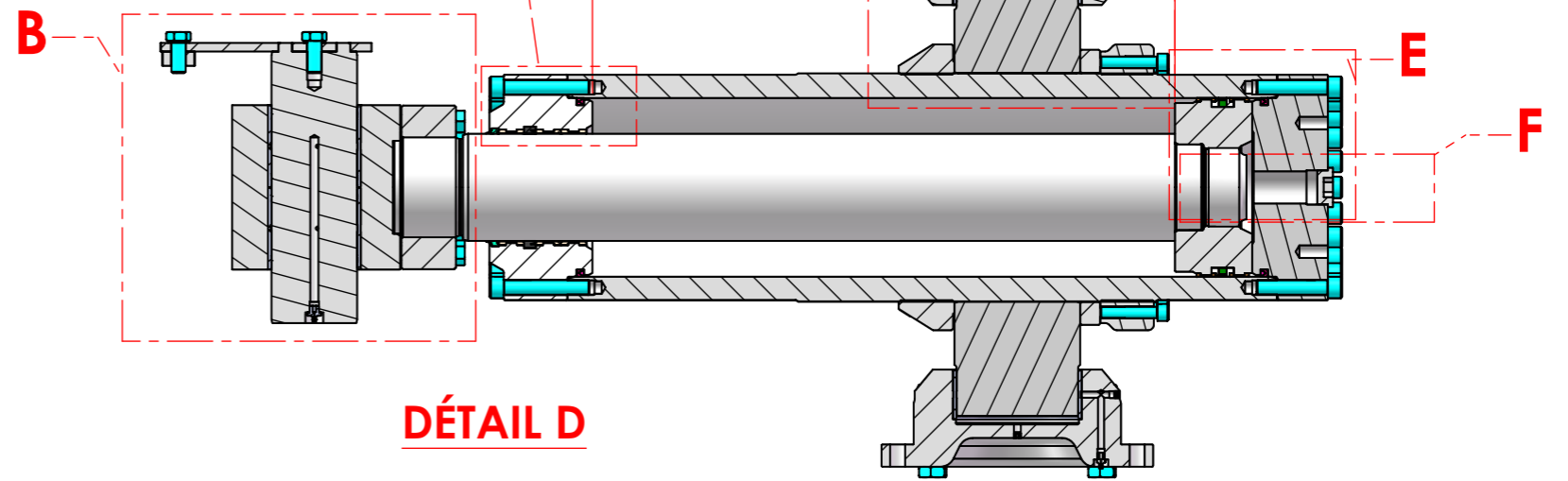
Vérin Ø600 Ø400 C824 V4 Ind A

Vérin Ø600 Ø400 C824 V4 Ind A				
Repère	Désignation	N° de plan	Quantité	Réf articles
1	Cylindre	C600-4	1	VER-C-600-4
2	Fond	F600-4 ind B	1	VER-F-600-4B
3	Piston	P600-2	1	VER-P-600-2
4	Tige	T400-2	1	VER-T-400-2
5	Guide	G600-400-2 ind A	1	VER-G-600-400-2A
6	Clame	CLA7	1	VER-CLA-7
7	Joint MU Ø600		2	JOI-LEV-EUS600
8	Joint GKD Ø600		1+2	JOI-GKD-PORT-600+JOI-GKD-SSP-600
9	Joint FA Ø600		1	
10	Joint AI Ø400		1	JOI-RAC-400
11	Joint FI Ø400		3	JOI-FI-400
12	Joint TDI Ø400		2	JOI-TDI-400
13	Capteur déplacement linéaire 1000mm		1	
14	Aimant MT062		1	ELE-SEN
15	Vis DIN 912 M4x25		4	VIS-VIS-DIN912M4L25
16	Vis DIN 912 M30x100 Qualité 12.9		37	VIS-VIS-DIN912M30L100Q12.9
17	Vis DIN 912 M30x220 Qualité 12.9		75	VIS-VIS-DIN912M30L220Q12.9
18	Vis DIN 912 M30x90 Qualité 8.8		12	VIS-VIS-DINM30L90Q12.9
19	Joint métalo-plastique ØM18		1	JOI-MTP-18.7

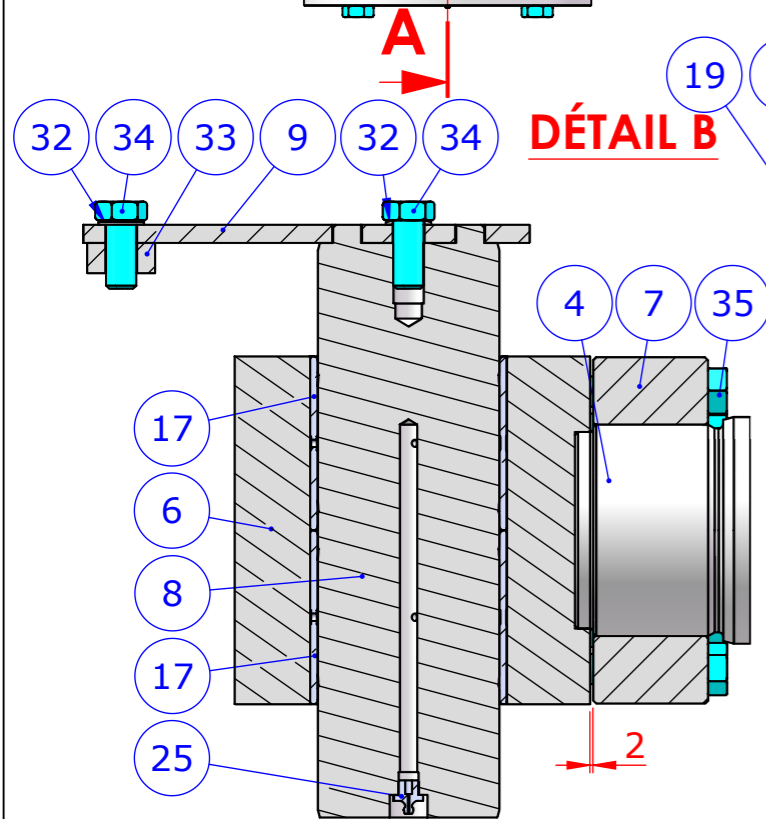
COUPE A-A



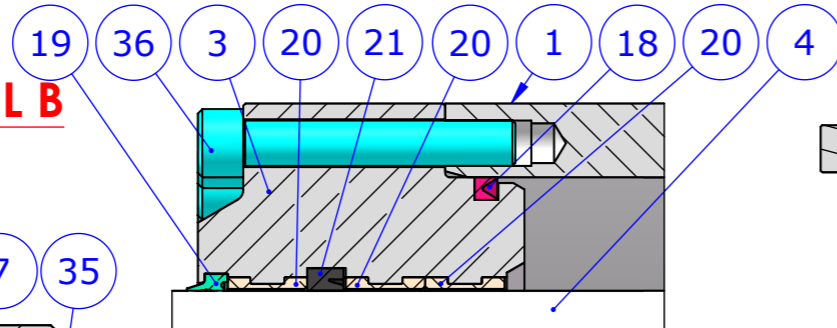
DÉTAIL C



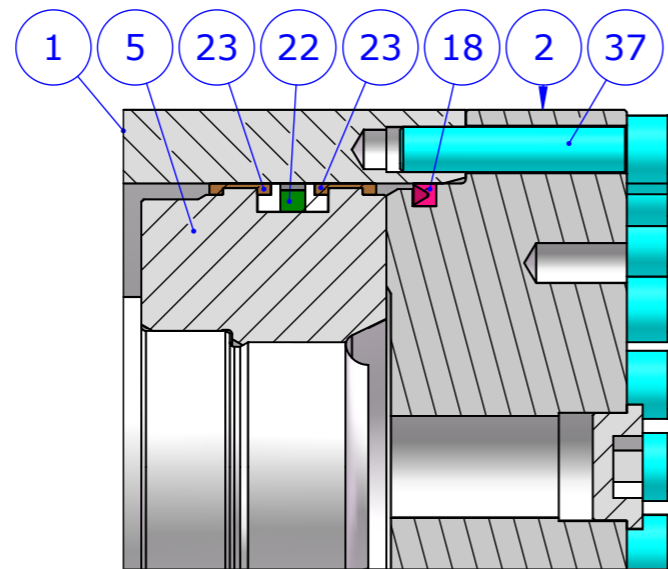
DÉTAIL D



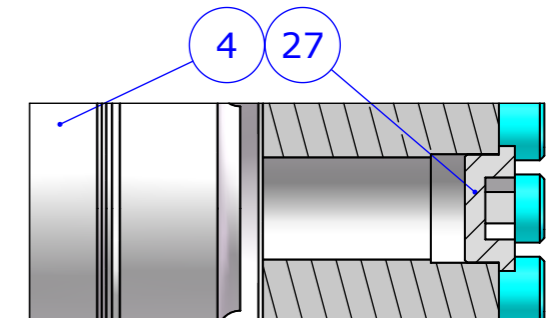
DÉTAIL B



DÉTAIL E



DÉTAIL F



B	Updating ref. article for clevis assembly #35 + deleting ind. column on BOM	TBE	28-11-2019
A	Drawing update (sheet format etc...) + adding BOM on sheet 2/2 + Adding Schnorr washers	TBE	18/02/2019
Ind	Modifications	Drafter	Date

Index Table

This drawing is our property: it can't be reproduced or communicated without our written agreement.
This document is the exclusive property LEFORT and shall not be disclosed or reproduced without its written authorization.

Material:	Sc: -
Weight: 1003.33 Kg	A3
Thickness: mm	
Date: 06-10-2014	Sheet 1/2
Drawn by: ALM	
General roughness except specification $Ra6.3$ GENERAL TOLERANCES ISO 2768 mK	

ASSEMBLY
Cylinder Ø250 Ø150
C815 V2A

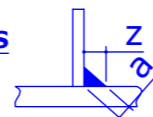
CYLINDERS

Rue Tahon, 1A
6041 GOSELIES
(BELGIUM)
(+32) 071/35.16.09
info@lefort.com

Bar Code: VER01543

B


WELDING INDICATIONS

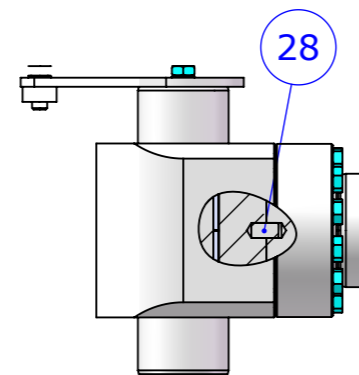
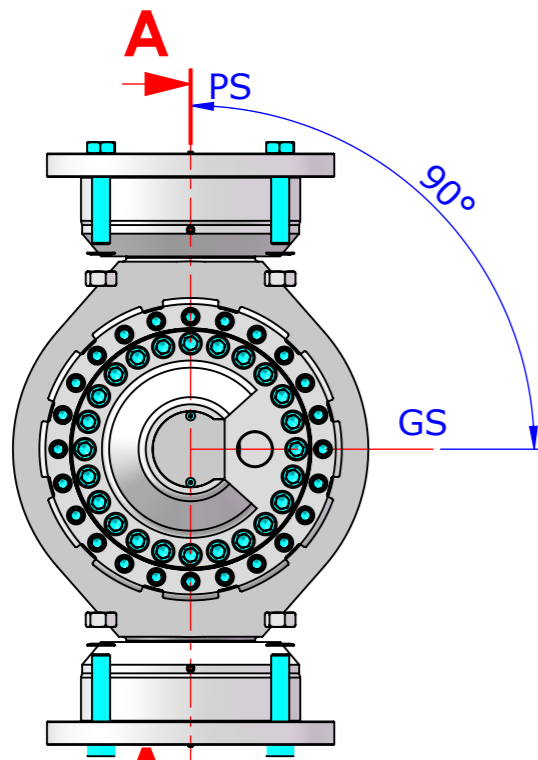


General tolerances for welded constructions ISO 13920-AE

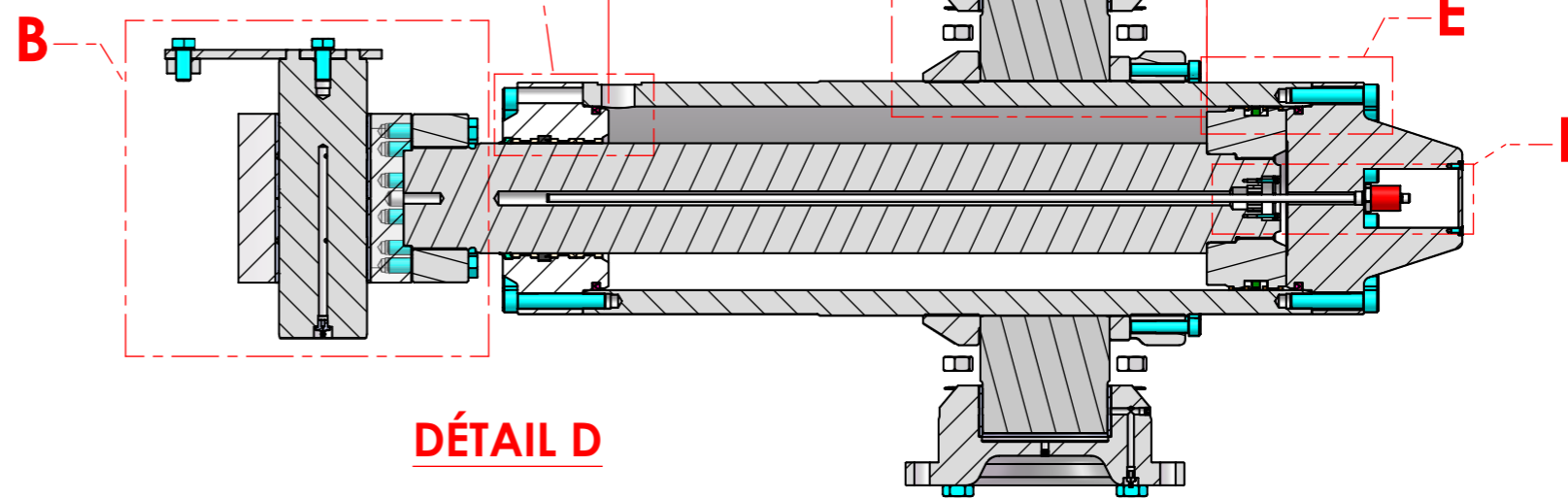
37	24	SCREW DIN 912 M20x100	VIS-VIS-DIN912M20L100Q12.9	-	DIN 912 M20 x 100
36	23	Screw DIN 912 M20x120	VIS-VIS-DIN912M20L120Q12.9		DIN 912 M20 x 120
35	12	Screw DIN 960 M20x110	VIS-VIS-DIN960M20X1.5L110	-	DIN 960 H M20x110
34	2	SCREW DIN933 M20x45	VIS-VIS-DIN933M20L45Q12.9		DIN 933 H M20x45
33	1	Fastening for shaft washer	VER-PA-M559REP2	U	M559
32	2	SCHNORR WASHER M20	VIS-RDL-SHNM20		Rondelle SCHNORR
31	24	Screw DIN 912 M16x80	VIS-VIS-DIN912M16L80Q12.9		DIN 912 M16 x 80
30	8	Screw DIN 931 M24 L120 Q12..9	VIS-VIS-DIN933M24L120Q12.9		DIN 931 H M24x120
29	8	Nut DIN934 M24	VIS-ECR-DIN934M24	-	DIN 934 H M24
28	8	Washer SCHNORR Type S M24	VIS-RDL-SHNM24		Rondelle SCHNORR
27	1	END CAP DIN908 1"1/2	HYD-RAC-BCRR3/2J		Bouchon 1P1-2 DIN 908
26	4	END CAP DIN906 1/8"	VIS-VIS-DIN906R1.8		Bouchon R1-8 DIN906
25	1	Greaser R1-4	HYD-RAC-GR1/4		
24	2	Straight greaser G1/8"	HYD-RAC-GR1/8	-	graisseur droit R1-8
23	2	Bronze ring for GKD Ø250	JOI-GKD-PORT-250	U	Joint GKD porteur Ø 250
22	1	GKD Ø250	JOI-GKD-SSP-250	-	Joint GKD Ø250
21	1	Seal TDI Ø150	JOI-TDI-150	U	
20	3	Seal FI Ø150	JOI-FI-150	U	FI 150
19	1	Seal AI-D Ø150	JOI-RAC-AID-150/165X18	-	joint AI-D ø 150
18	2	Seal MU Ø250	JOI-LEV-MU-250/230X10.5	-	Joint MU Ø250
17	2	Clevis Pin Bush	VER-BP-120-2		BP120-2
16	2	Trunion bush	USR-BRZ-B170180L070		BBL 180-170
15	2	Yoke Pin DIN6325 Ø20 x 36	VIS-VIS-DIN6325D20L36		Cale de chape
14	2	Bearing Housing For Trunion	VER-BL-4	U	BL4
13	1	Lateral Stop Nut Ø250	VER-EL-M343-B		M343
12	1	Ring for iron colar	VER-BPL-250	U	BPL250
11	1	Lateral Nut Ø250	VER-EL-250	U	EL250
10	1	Trunion for side cylinder	VER-CL-250-2	U	CL250-2
9	1	Fastening for shaft	VER-PA-M559	-	M559 Clé Pivot Rep-1
8	1	Clevis pin Ø120	VER-AP-120-392	U	Axe Pivot AP120-392
7	1	Yoke Nut Ø150	VER-EC-2	U	EC2
6	1	Yoke Ø120	VER-CHP-2	U	CHP2
5	1	Piston Ø250	VER-P-250-6	U	P250-6
4	1	Piston rod Ø150	VER-T-150-19-L1194	U	T150-19
3	1	Gland bush Ø250 Ø150	VER-G-250/150-2	U	G250-150-2
2	1	End cap cylinder Ø250	VER-F-250-2A	U	F250-2A
1	1	Cylinder Ø250	VER-C-250-6	U	C250-6
Item	QTY	Designation	Réf. Article:		Drawing

This drawing is our property: it can't be reproduced or communicated without our written agreement.
This document is the exclusive property LEFORT and shall not be disclosed or reproduced without its written authorization.

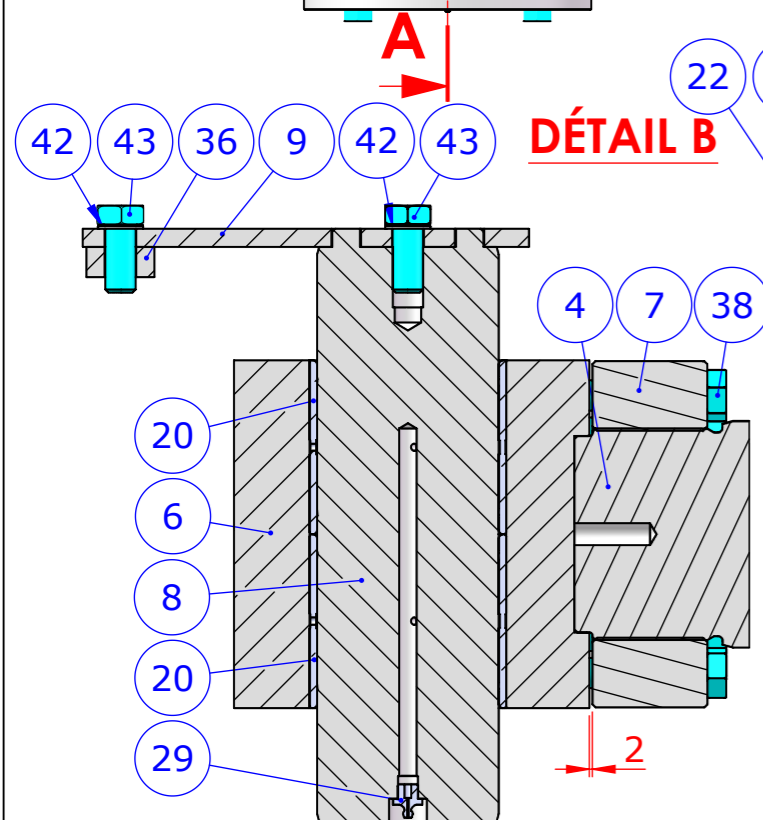
Material:	Sc: -	<h1 style="margin: 0;">ASSEMBLY</h1> <h2 style="margin: 0;">Cylinder Ø250 Ø150</h2> <h2 style="margin: 0;">C815 V2A</h2> <h1 style="margin: 0;">CYLINDERS</h1>	 <p>Rue Tahon, 1A 6041 GOSSELIES (BELGIUM) (+32) 071/35.16.09 info@lefort.com</p>
Weight: 1003.33 Kg	A4		
Thickness: mm			
Date: 06-10-2014	Sheet 2/2		
Drawn by: ALM			
General roughness except specification $Ra_{6.3}$ GENERAL TOLERANCES ISO 2768 mK		Bar Code: VER01543	<h1 style="font-size: 2em; margin: 0;">B</h1>



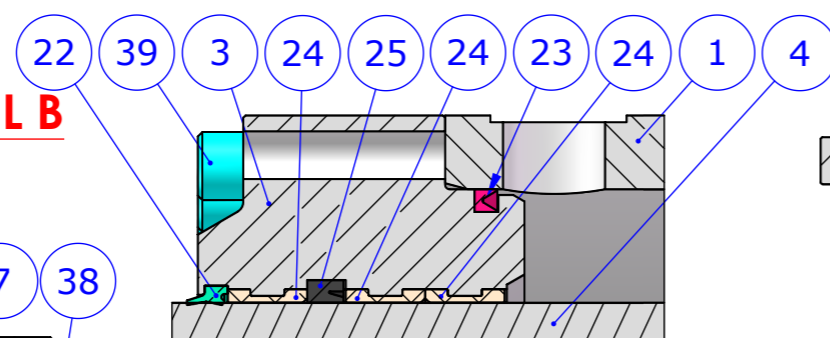
DÉTAIL C



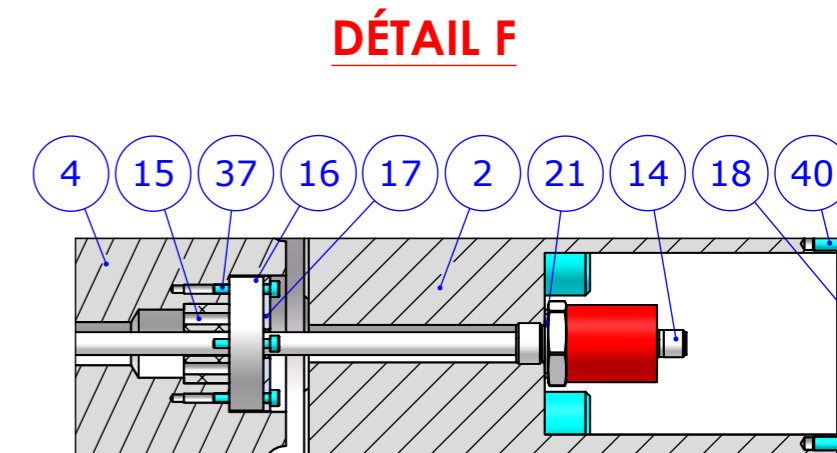
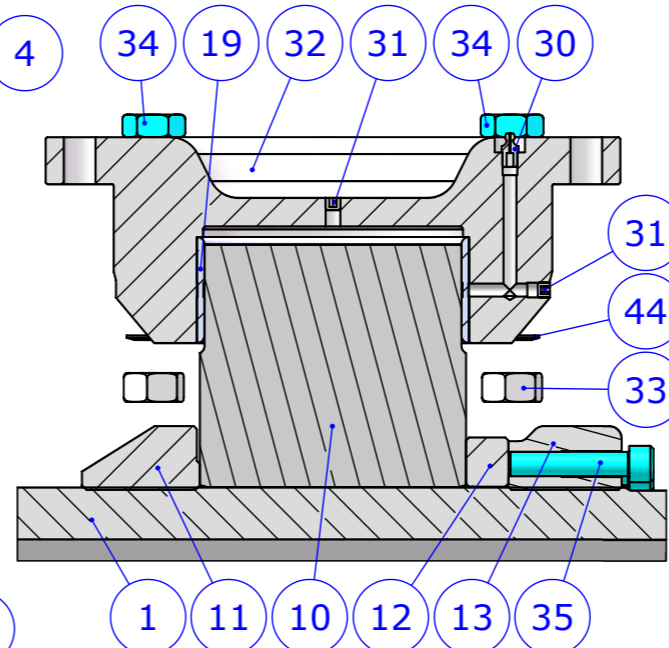
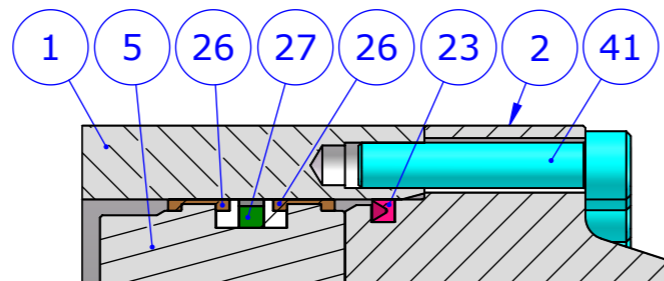
DÉTAIL D



DÉTAIL B



DÉTAIL E



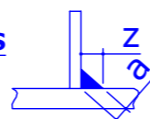
DÉTAIL F

C	Updating clevis pin abutement plate mounting screw (from DIN933 M20 L60 to DIN 933 M20 L45) + deleting ind. column on BOM	TBE	21-11-2019
B	Drawing update (sheet format etc...) + adding BOM on sheet 2/2 + adding Raw material column on BOM + Adding Schnorr washers	TBE	18-02-2019
A	Drawing update		-
Ind	Modifications	Drafter	Date

Index Table

This drawing is our property: it can't be reproduced or communicated without our written agreement.
This document is the exclusive property LEFORT and shall not be disclosed or reproduced without its written authorization.

WELDING INDICATIONS



General tolerances for welded constructions ISO 13920-AE

Material:	Sc: -
Weight: 1020.52 Kg	A3
Thickness: mm	
Date: 06-10-2014	Sheet 1/2
Drawn by: ALM	
General roughness except specification Ra6.3	
GENERAL TOLERANCES ISO 2768 mK	

ASSEMBLY
Cylinder Ø250 Ø150
C815 V2

CYLINDERS




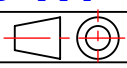
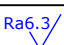

Rue Tahon, 1A
6041 GOSELIES
(BELGIUM)
(+32) 071/35.16.09
info@lefort.com

Bar Code: VER01544

C

44	8	Washer SCHNORR Type S M24	VIS-RDL-SHNM24		Rondelle SCHNORR
43	2	SCREW DIN933 M20x45	VIS-VIS-DIN933M20L45Q12.9		DIN 933 H M20x45
42	2	SCHNORR WASHER M20	VIS-RDL-SHNM20		Rondelle SCHNORR
41	24	SCREW DIN 912 M20x100	VIS-VIS-DIN912M20L100Q12.9	-	DIN 912 M20 x 100
40	2	Screw DIN 7991 M6x16	VIS-VIS-DIN7991M6L16Q10.92N	-	DIN 7991 Vis a tete fraisée M6x16
39	23	Screw DIN 912 M20x120	VIS-VIS-DIN912M20L120Q12.9		DIN 912 M20 x 120
38	12	Screw DIN 960 M20x110	VIS-VIS-DIN960M20X1.5L110	-	DIN 960 H M20x110
37	4	Screw DIN 912 M4x25	VIS-VIS-DIN912M4L25		DIN 912 M4 x 25 --- 25N
36	1	Fastenning for shaft washer	VER-PA-M559REP2	U	M559
35	24	Screw DIN 912 M16x80	VIS-VIS-DIN912M16L80Q12.9		DIN 912 M16 x 80
34	8	Screw DIN 931 M24 L120 Q12..9	VIS-VIS-DIN933M24L120Q12.9		DIN 931 H M24x120
33	8	Nut DIN934 M24	VIS-ECR-DIN934M24	-	DIN 934 H M24
32	2	Bearing Housing For Trunnion	VER-BL-4	U	BL4
31	4	END CAP DIN906 1/8"	VIS-VIS-DIN906R1.8		Bouchon R1-8 DIN906
30	2	Straight greaser G1/8"	HYD-RAC-GR1/8	-	graisseur droit R1-8
29	1	Greaser R1-4	HYD-RAC-GR1/4		
28	2	Yoke Pin DIN6325 Ø20 x 36	VIS-VIS-DIN6325D20L36		Cale de chape
27	1	GKD Ø250	JOI-GKD-SSP-250	-	Joint GKD Ø250
26	2	Bronze ring for GKD Ø250	JOI-GKD-PORT-250	U	Joint GKD porteur Ø 250
25	1	Seal TDI Ø150	JOI-TDI-150	U	
24	3	Seal FI Ø150	JOI-FI-150	U	FI 150
23	2	Seal MU Ø250	JOI-LEV-MU-250/230X10.5	-	Joint MU Ø250
22	1	Seal AI-D Ø150	JOI-RAC-AID-150/165X18	-	joint AI-D ø 150
21	1	M18x1.5	JOI-MTP-18.7	-	Joint métallo-plastique
20	2	Clevis Pin Bush	VER-BP-120-2		BP120-2
19	2	Trunion bush	USR-BRZ-B170180L070		BBL 180-170
18	1	MTS CAP	VER-F-L4B		CMTS-1
17	1	MTS Washer	ELE-SEN-AAIM60		M516
16	1	MTS Magnet Outside Dia 60	ELE-SEN-AIM60		Aimant MT062
15	1	MTS Guide	USR-BRZ-B010.6035L020		Guide de systeme MTS
14	1	MTS sensor L1000	ELE-SEN-MES1000-M12	-	Captur MTS Lg-1000
13	1	Lateral Stop Nut Ø250	VER-EL-M343-B		M343
12	1	Ring for iron colar	VER-BPL-250	U	BPL250
11	1	Lateral Nut Ø250	VER-EL-250	U	EL250
10	1	Trunion for side cylinder	VER-CL-250-2	U	CL250-2
9	1	Fastenning for shaft	VER-PA-M559	-	M559 Clé Pivot Rep-1
8	1	Clevis pin Ø120	VER-AP-120-392	U	Axe Pivot AP120-392
7	1	Yoke Nut Ø150	VER-EC-2	U	EC2
6	1	Yoke Ø120	VER-CHP-2	U	CHP2
5	1	Piston Ø250	VER-P-250-6	U	P250-6
4	1	Piston rod Ø150	VER-T-150-19-L1194	U	T150-19
3	1	Gland bush Ø250 Ø150	VER-G-250/150-2	U	G250-150-2
2	1	End cap Ø250 cylinder	VER-F-250-1A	U	Fond F250-1A
1	1	Cylinder Ø250	VER-C-250-6	U	C250-6
Item	QTY	Designation	Réf. Article:		Drawing

This drawing is our property: it can't be reproduced or communicated without our written agreement.
This document is the exclusive property LEFORT and shall not be disclosed or reproduced without its written authorization.

Material:	Sc: -	<h1 style="margin: 0;">ASSEMBLY</h1> <h2 style="margin: 0;">Cylinder Ø250 Ø150 C815 V2</h2> <h1 style="margin: 0;">CYLINDERS</h1>	 <p>Rue Tahon, 1A 6041 GOSSELIES (BELGIUM) (+32) 071/35.16.09 info@lefort.com</p>
Weight: 1020.52 Kg	A4		
Thickness: mm			
Date: 06-10-2014	Sheet 2/2		
Drawn by: ALM			
General roughness except specification  GENERAL TOLERANCES ISO 2768 mK		Bar Code: VER01544	
		<h1 style="margin: 0;">C</h1>	

Chapter I



Description of the machine

12. Maintenance notes

Date	Number of working hours of the machine	Maintenance carried out	Explanations/notes	Signature/ stamp




Register and confirm in the table below the maintenance carried out.

Chapter I



Description of the machine

Date	Number of working hours of the machine	Maintenance carried out	Explanations/notes	Signature/ stamp


 Register and confirm in the table below the maintenance carried out.

Chapter I



Description of the machine

Date	Number of working hours of the machine	Maintenance carried out	Explanations/notes	Signature/ stamp

 Register and confirm in the table below the maintenance carried out.

Chapter I



Description of the machine

Date	Number of working hours of the machine	Maintenance carried out	Explanations/notes	Signature/ stamp




Register and confirm in the table below the maintenance carried out.

Chapter I



Description of the machine

Date	Number of working hours of the machine	Maintenance carried out	Explanations/notes	Signature/ stamp

 Register and confirm in the table below the maintenance carried out.



.MORE THAN JUST MACHINES

.Contact

Metquip PTY LTD

84 Briggs Street
Welshpool WA 6106

T. : (08) 9362 4304

sales@metquip.com.au

